



Humanetics Innovative Solutions, Inc.

THOR-M Advanced Male Dummy

472-0000



Parts Catalog





For information on Humanetics products, please visit our web site at www.humaneticsatd.com

or contact:

Humanetics Innovative Solutions

23300 Haggerty Road

Farmington Hills, Michigan

48335 USA

Tel: +1 248 778 2000

Fax: +1 248 778 2001

No part of this publication may be reproduced, stored in a retrieval system or transmitted in any form or by any means, electronic, photocopying, recording, mechanical or otherwise, without the express written consent of Humanetics Innovative Solutions.

Copyright © 2018 Humanetics Innovative Solutions, All rights reserved.

The information in this catalog is furnished for informational use only, and is subject to change without notice. Humanetics Innovative Solutions assumes no responsibility or liability for any errors or inaccuracies that may appear in this catalog.

Table of Contents

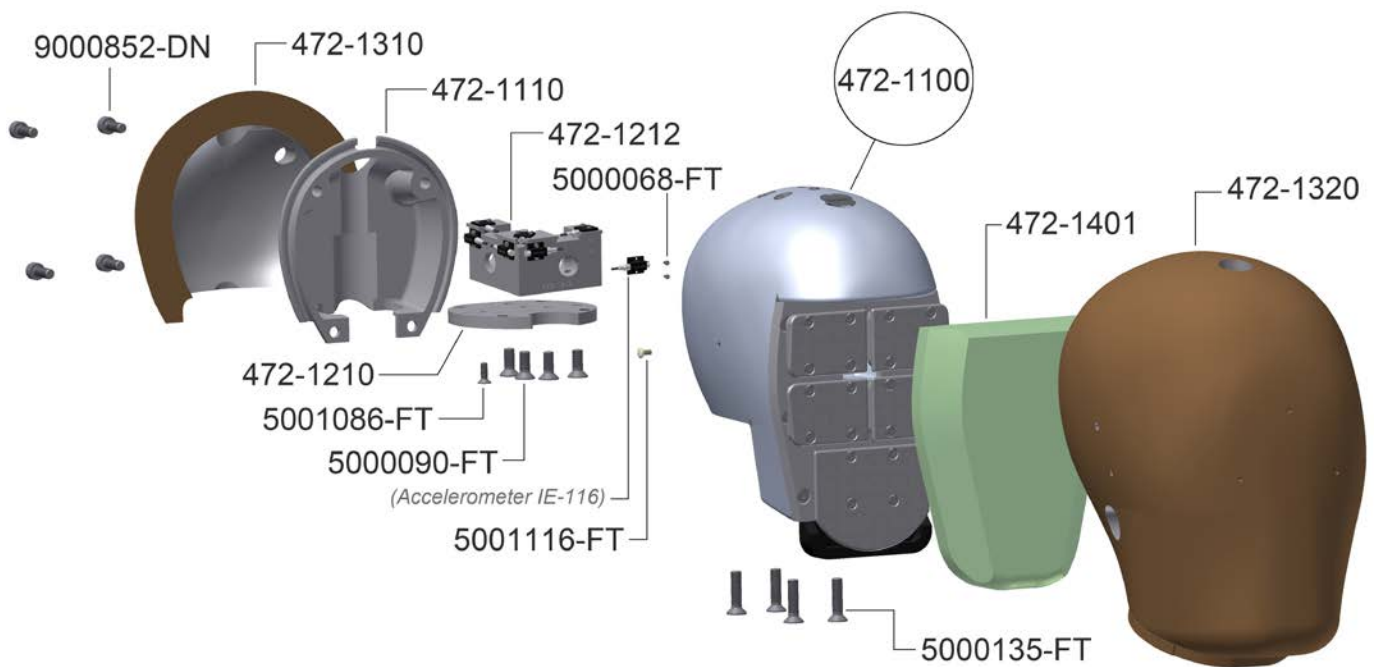
Head Assembly	4
Skull Assembly	5
Neck Assembly	6 - 8
Thorax Assembly	9 - 10
Spine Assembly	11 - 13
SD3 Shoulder Assembly	14 – 16
Upper Arm Assembly	17
Lower Arm Assembly	18
Bib Assembly	19
Upper Abdomen Assembly	20
Lower Abdomen Assembly	21
Pelvis Assembly	22 - 23
Upper Leg Assembly Left	24
Upper Leg Assembly Right	25
Knee Cap Assembly Left	26
Knee Cap Assembly Right	27
LX Lower Leg Assembly Left	28 - 30
LX Lower Leg Assembly Right	31 - 33
Instrument Mounts	34
Clothes	34
Misc. Tools / IR-TRACCS	35-36

Background

THOR, which is an acronym for Test device for Human Occupant Restraint, is an advanced 50th percentile male dummy representing significant improvements over the Hybrid III dummy which is still widely used in test labs today. THOR has more humanlike biofidelity and a greater range of sensors for advanced injury detection.

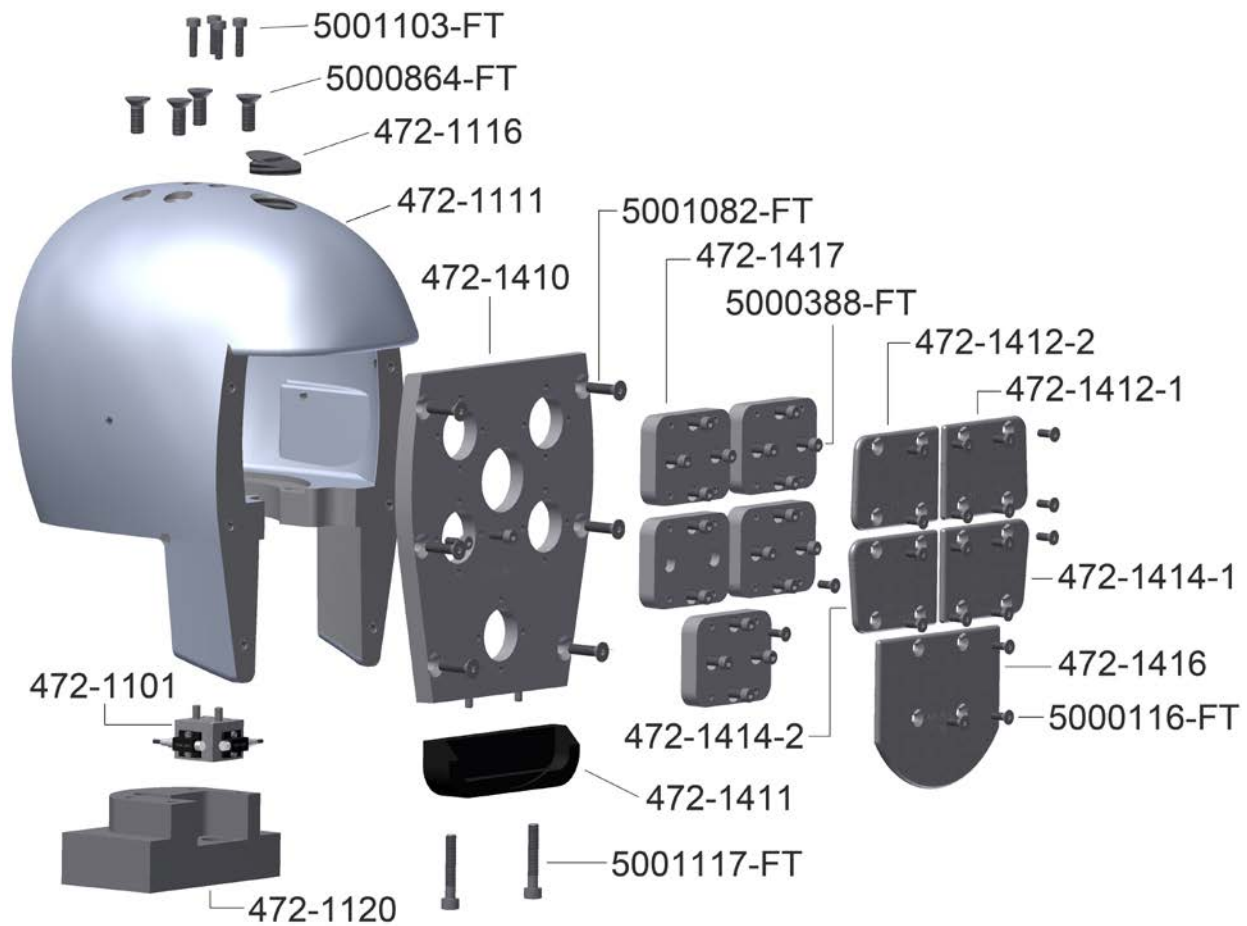
The THOR-M ATD incorporates a number of design updates over previous versions including a complete change-over from English system components and fasteners to Metric.

Head Assembly



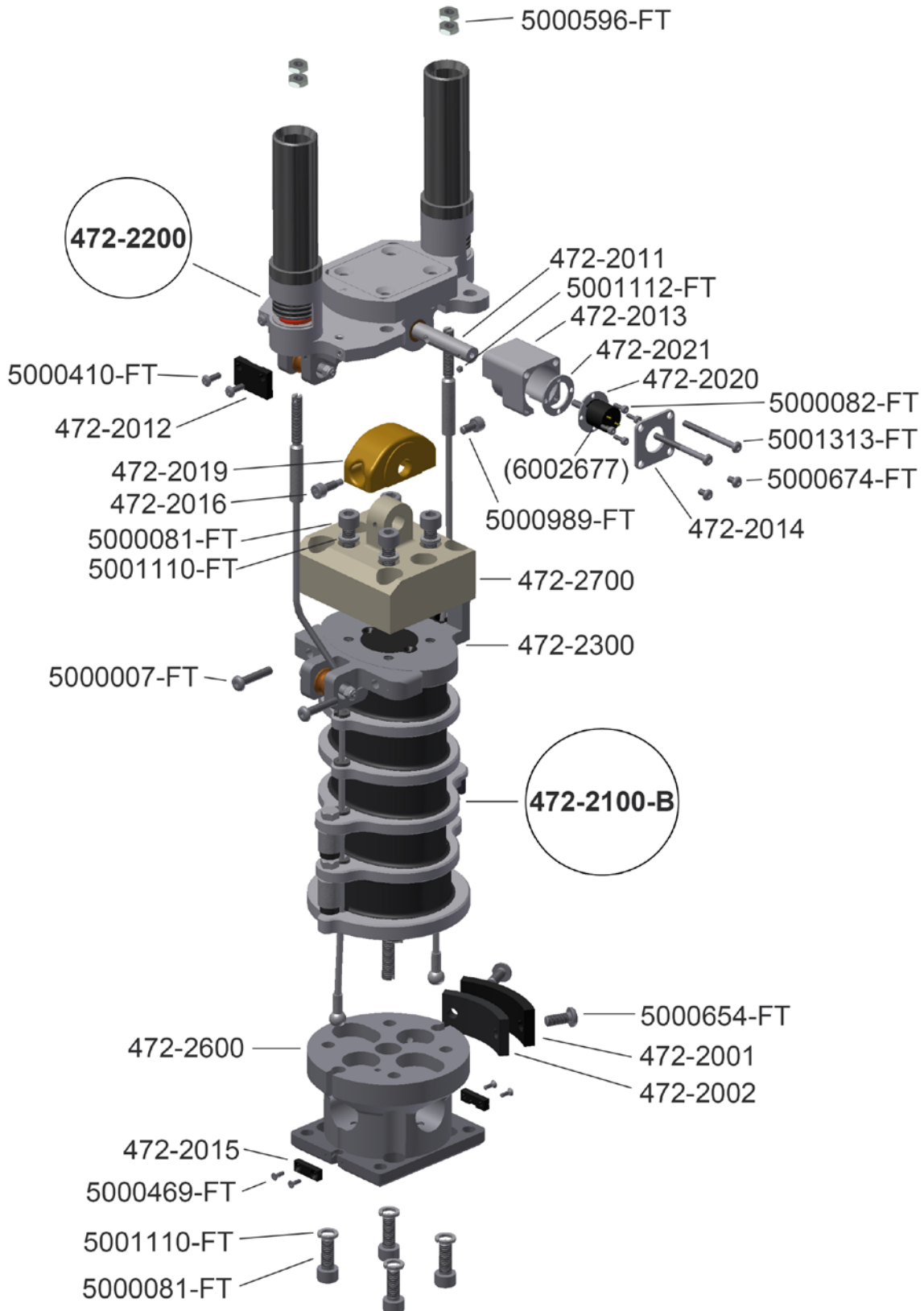
Part Number	Description	Qty. Req'd Per Dummy
472-1000	HEAD ASSEMBLY THOR-M	1
472-1100	SKULL ASSEMBLY THOR-NT	1
472-1110	HEAD CAP, MACHINED	1
472-1200	ACCELEROMETER MOUNTING PLATE ASS'Y	1
472-1210	ACCELEROMETER MOUNTING PLATE	1
472-1212	7 ACCELEROMETER ARRAY FIXTURE	1
5000090-FT	SCREW FHCS M6 X 1 X 16	4
5001086-FT	SCREW FHCS M4 X 0.7 X 12	1
5000068-FT	SCREW SHCS M1.4 X 0.3 X 3	14
472-1310	CAP SKIN THOR-M	1
472-1320	HEAD SKIN THOR-M	1
472-1401	CONFOR FOAM, FACE	1
5000135-FT	SCREW FHCS M6 X 1 X 25	4
9000852-DN	SCREW, SHCS M6 X 1 X 16MM LONG	4
5001116-FT	SCREW PAN HEAD M3 X .5 X 6 NYLON PHILLIP	2

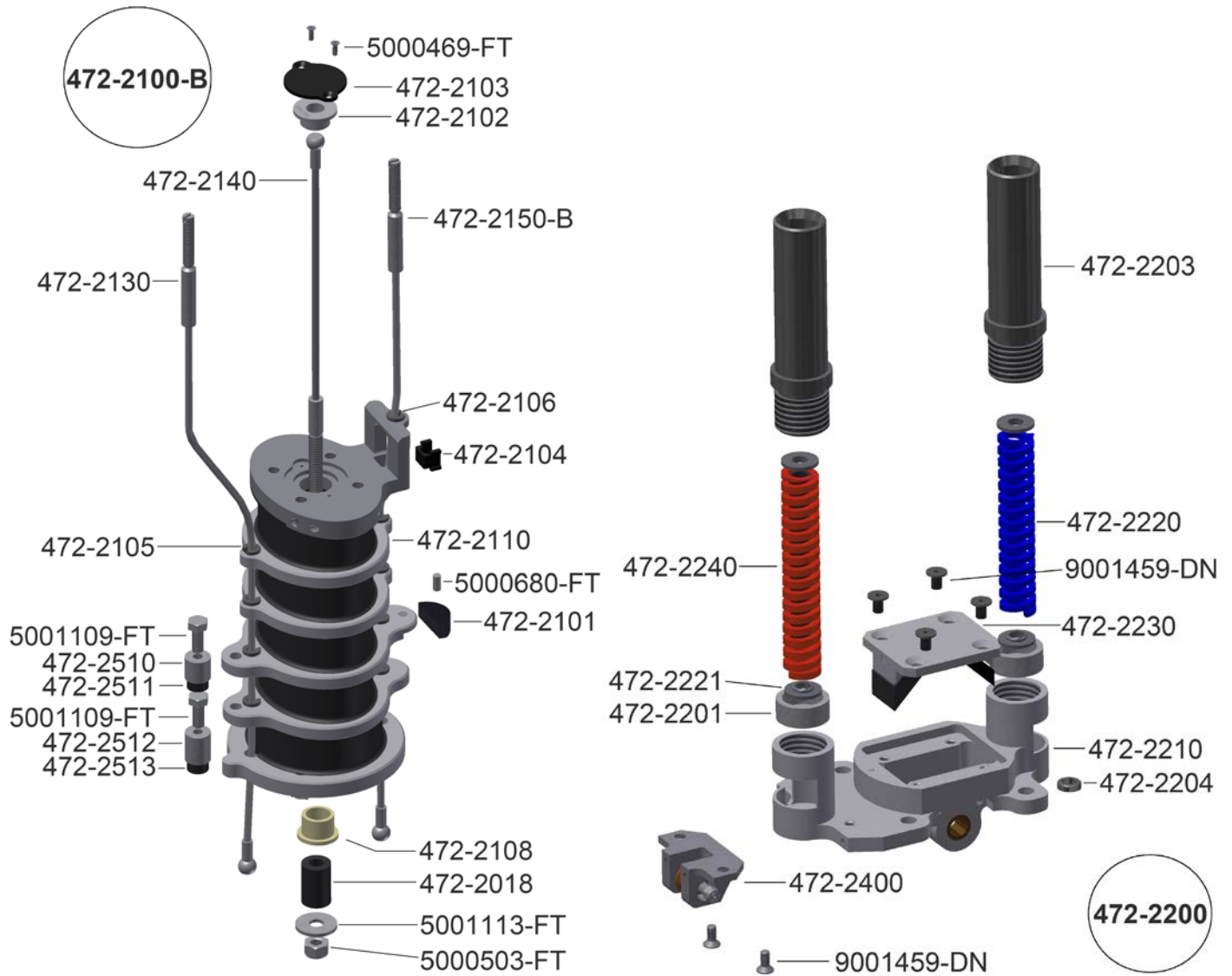
Skull Assembly



Part Number	Description	Qty. Req'd Per Dummy
472-1100	SKULL ASSEMBLY THOR-M	1
472-1111	HEAD, MACHINED	1
472-1410	FACE PLATE	1
472-1417	LOAD CELL, FACE, MOCK	5
472-1412-1	LOAD CELL, PLATE, LEFT EYE	1
472-1412-2	LOAD CELL, PLATE, RIGHT EYE	1
472-1414-1	LOAD CELL, PLATE, LEFT CHEEK	1
472-1414-2	LOAD CELL, PLATE, RIGHT CHEEK	1
472-1416	LOAD CELL, PLATE, CHIN	1
472-1411	CHIN GUARD	1
472-1101	BIAXIAL ACCELEROMETER ASS'Y, HEAD	1
472-1120	HEAD BALLAST	1
472-1116	PLUG HEAD	1
5001082-FT	SCREW FHCS M4 X 0.7 X 16	6
5000116-FT	SCREW FHCS M3 X 0.5 X 8	20
5000388-FT	SCREW SHCS M3 X 0.5 X 8	20
5001117-FT	SCREW SHCS M4 X 0.7 X 22	2
5001103-FT	SCREW SHCS M3 X 0.5 X 12	4
5000864-FT	SCREW FHCS M5 X 0.8 X 14	4

Neck Assembly

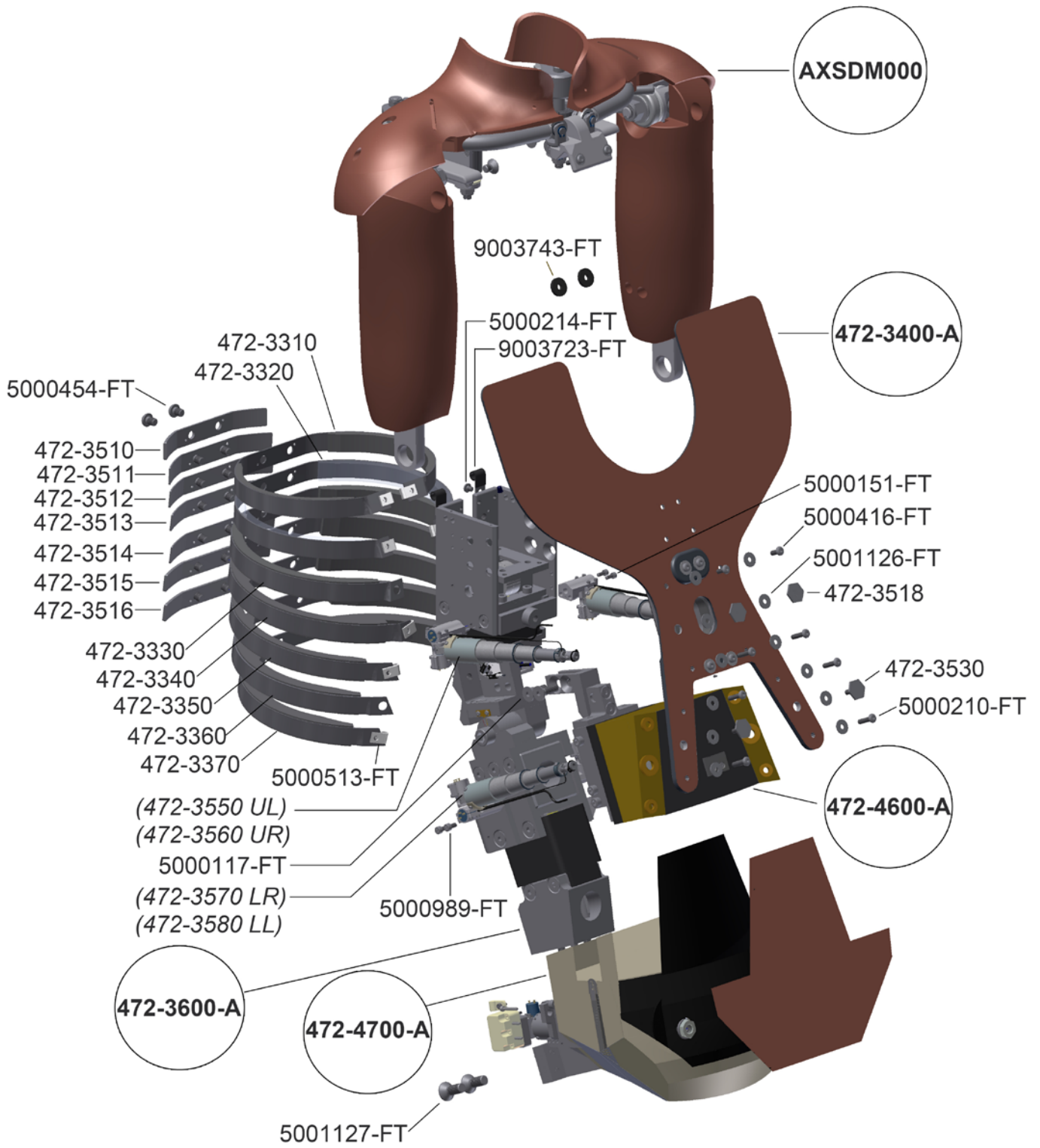




Part Number	Description	Qty. Req'd Per Dummy
472-2000-B	NECK MECHANICAL ASSEMBLY T/C	1
472-2100-B	NECK MOLDED W/CABLE ASSEMBLIES	1
472-2101	FRONT STOP, NECK	1
472-2110	NECK MOLDED, W/FRONT STOP ASSY	1
472-2101	FRONT STOP, NECK	1
472-2104	TOP PLATE CABLE GUIDE, NECK	1
5000680-FT	PIN DOWEL M4 X 6 316 SS	1
472-2102	CENTER CABLE FIXTURE, NECK	1
472-2103	CABLE COVER, NECK	1
472-2105	CABLE GUIDE, NECK	8
472-2106	CABLE GUIDE, NECK	1
472-2130	REAR CABLE ASSEMBLY, NECK	1
472-2140	CENTER CABLE ASSEMBLY, NECK	1
472-2150-B	FRONT CABLE ASSEMBLY, NECK	1

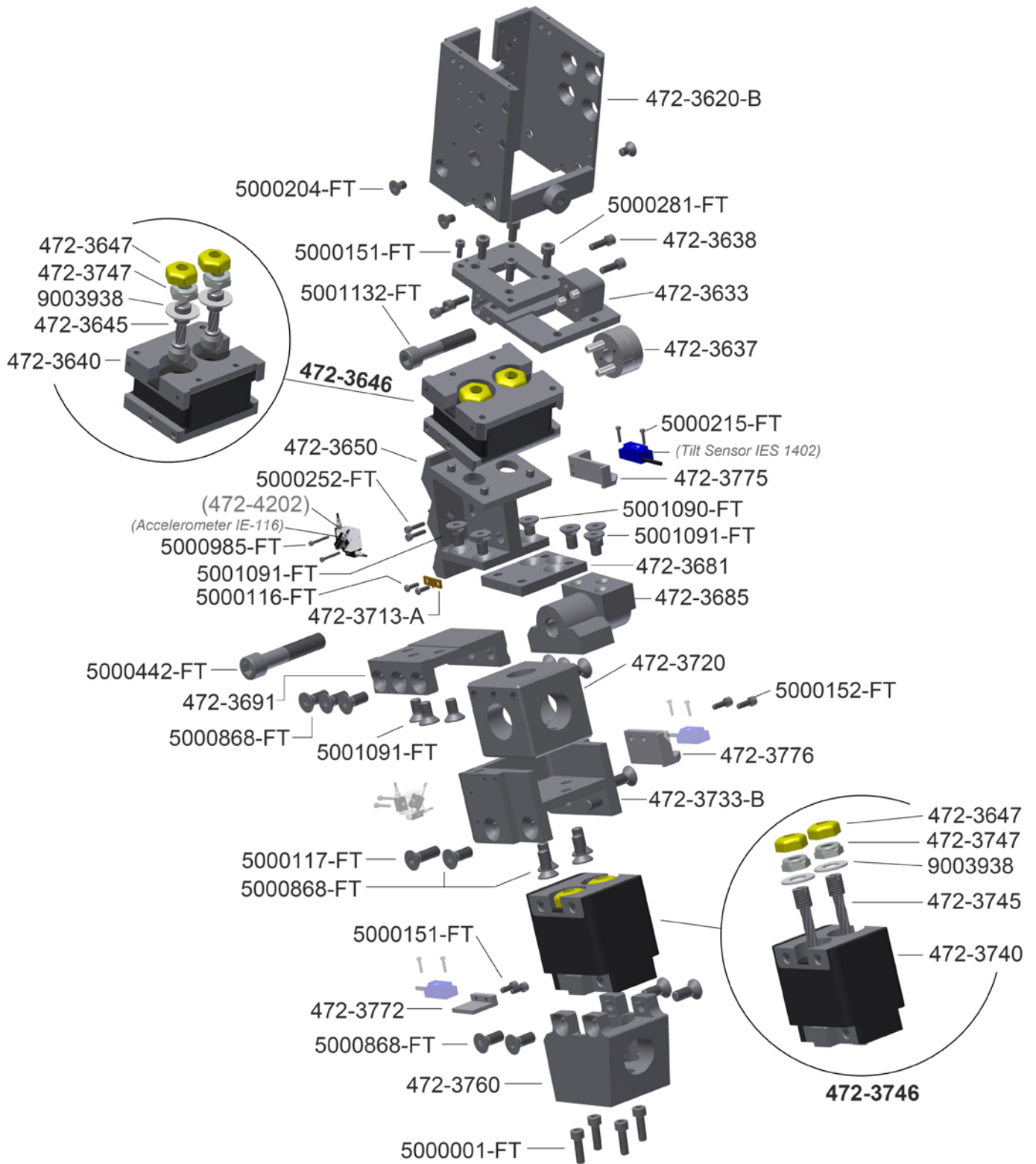
472-2500	UPPER NECK STOP ASSEMBLY	1
472-2510	NECK STOP 2	1
472-2511	NECK SOFT STOP 2	1
472-2520	LOWER NECK STOP ASSEMBLY	1
472-2512	NECK STOP 1	1
472-2513	NECK SOFT STOP 1	1
472-2108	CENTER CABLE BUSHING, NECK	1
472-2018	NEOPRENE SPACER, NECK	1
472-2520	LOWER NECK STOP ASSEMBLY	1
5000503-FT	NUT HEX NYLON INSERT M6 X 1 18-8 SS	1
5001113-FT	WASHER M6 FENDER 18-8 SS	1
5001109-FT	SCREW HHCS M5 X 0.8 X 12	2
5000469-FT	SCREW FHCS M2 X 0.4 X 6	2
472-2001	LOWER NECK BUMPER COVER	1
472-2002	LOWER NECK BUMPER	1
472-2011	OCCIPITAL CONDYLE PIN, NECK	1
472-2012	PULLEY PLATE, NECK	1
472-2013	ROTARY POTENTIOMETER HOUSING, NECK	1
472-2014	ROTARY POTENTIOMETER COVER, NECK	1
472-2015	CABLE SEAT COVER, NECK	2
472-2016	SCREW, OCCIPITAL CONDYLE	1
472-2019	OCCIPITAL CONDYLE CAM, NECK	1
472-2020	ROTARY POTENTIOMETER CLAMP, NECK	2
472-2021	ROTARY POTENTIOMETER WASHER, NECK	1
472-2200	MOUNTING PLATFORM ASSEMBLY, NECK	1
472-2201	LOAD CELL, NON-ACTIVE SPRING	2
472-2203	FRONT/REAR SPRING TUBE, NECK	2
472-2204	FRONT CABLE BUSHING, NECK	1
472-2210	HEAD/NECK MOUNTING PLATFORM	1
472-2220	FRONT SPRING ASSEMBLY	1
472-2230	OC STOP ASSEMBLY	1
472-2240	REAR SPRING ASSEMBLY	1
472-2400	HEAD/NECK PULLEY BRACKET ASSEMBLY	1
9001459-DN	SCREW, FHCS M4 X .7 X 10MM LONG	6
472-2300	PULLEY BRACKET ASSEMBLY, NECK	1
472-2600	STRUCT. REPLACEMENT ASSEMBLY, LOWER NECK	1
472-2700	STRUCT. REPLACEMENT UPPER NECK	1
5000007-FT	SCREW BHCS M4 X 0.7 X 20	2
5000081-FT	SCREW SHCS M6 X 1 X 16	8
5000082-FT	SCREW SHCS M2 X 0.4 X 6	4
5000596-FT	NUT HEX JAM M5 X 0.8 ZINC	4
5000410-FT	SCREW BHCS M3 X 0.5 X 8	3
5000469-FT	SCREW FHCS M2 X 0.4 X 6	4
5000654-FT	SCREW BHCS M5 X 0.8 X 12	2
5000674-FT	SCREW BHCS M3 X 0.5 X 5	2
5001313-FT	SCREW BHCS M3 X 0.5 X 35 SS	2
5000989-FT	SCREW SHCS M4 X 0.7 X 8	1
5001110-FT	WASHER LOCK M6, HI-COLLAR SS	8
5001112-FT	SCREW SSCN M3X 0.5 X 3	1
(6002677)	ROTARY POTENTIOMETER, VISHAY	1

Thorax Assembly



Part Number	Description	Qty. Req'd Per Dummy
472-3010	THORAX ASSEMBLY, SD3	1
472-3600-A	SPINE MECHANICAL ASSEMBLY	1
AXSDM000	SHOULDER/ARMS ASSY, THOR SD3	1
472-3400-A	THORAX BIB ASSEMBLY	1
472-3310	ELLIPTICAL RIB ASSEMBLY 1, UNTESTED	1
472-3320	ELLIPTICAL RIB ASSEMBLY 2, UNTESTED	1
472-3330	ELLIPTICAL RIB ASSEMBLY 3, UNTESTED	1
472-3340	ELLIPTICAL RIB ASSEMBLY 4, UNTESTED	1
472-3350	ELLIPTICAL RIB ASSEMBLY 5, UNTESTED	1
472-3360	ELLIPTICAL RIB ASSEMBLY 6, UNTESTED	1
472-3370	ELLIPTICAL RIB ASSEMBLY 7, UNTESTED	1
472-3510	THORAX ELLIPTICAL RIB STIFFENER 1	1
472-3511	THORAX ELLIPTICAL RIB STIFFENER 2	1
472-3512	THORAX ELLIPTICAL RIB STIFFENER 3	1
472-3513	THORAX ELLIPTICAL RIB STIFFENER 4	1
472-3514	THORAX ELLIPTICAL RIB STIFFENER 5	1
472-3515	THORAX ELLIPTICAL RIB STIFFENER 6	1
472-3516	THORAX ELLIPTICAL RIB STIFFENER 7	1
472-3530	IR-TRACC CONNECTING BOLT, LOWER TORAX	2
472-3518	IR-TRACC CONNECTING BOLT, UPPER THORAX	2
472-4600-A	UPPER ABDOMEN ASSEMBLY	1
472-4700-A	LOWER ABDOMEN MECHANICAL ASSY	1
5000454-FT	SCREW BHCS M8 X 1.25 X 10	14
5001126-FT	WASHER FLAT M5 5.3ID X 15OD X 1.2THK SS	16
5000416-FT	SCREW BHCS M5 X 0.8 X 16	2
5000210-FT	SCREW BHCS M5 X 0.8 X 20	6
5000214-FT	SCREW BHCS M5 X 0.8 X 6	2
5000117-FT	SCREW FHCS M8 X 1.25 X 25	2
5000989-FT	SCREW SHCS M4 X 0.7 X 8	4
5001127-FT	SCREW FHCS M10 X 1.5 X 25	2
5000513-FT	CLIP NUT MONADNOCK	10
5000151-FT	SCREW SHCS M4 X 0.7 X 10	4
9003723-FT	WIRE CLAMP 1/4, RUBBER COATED	2
9003743-FT	WASHER 3/4 OD 1/4 ID X 1/8	2

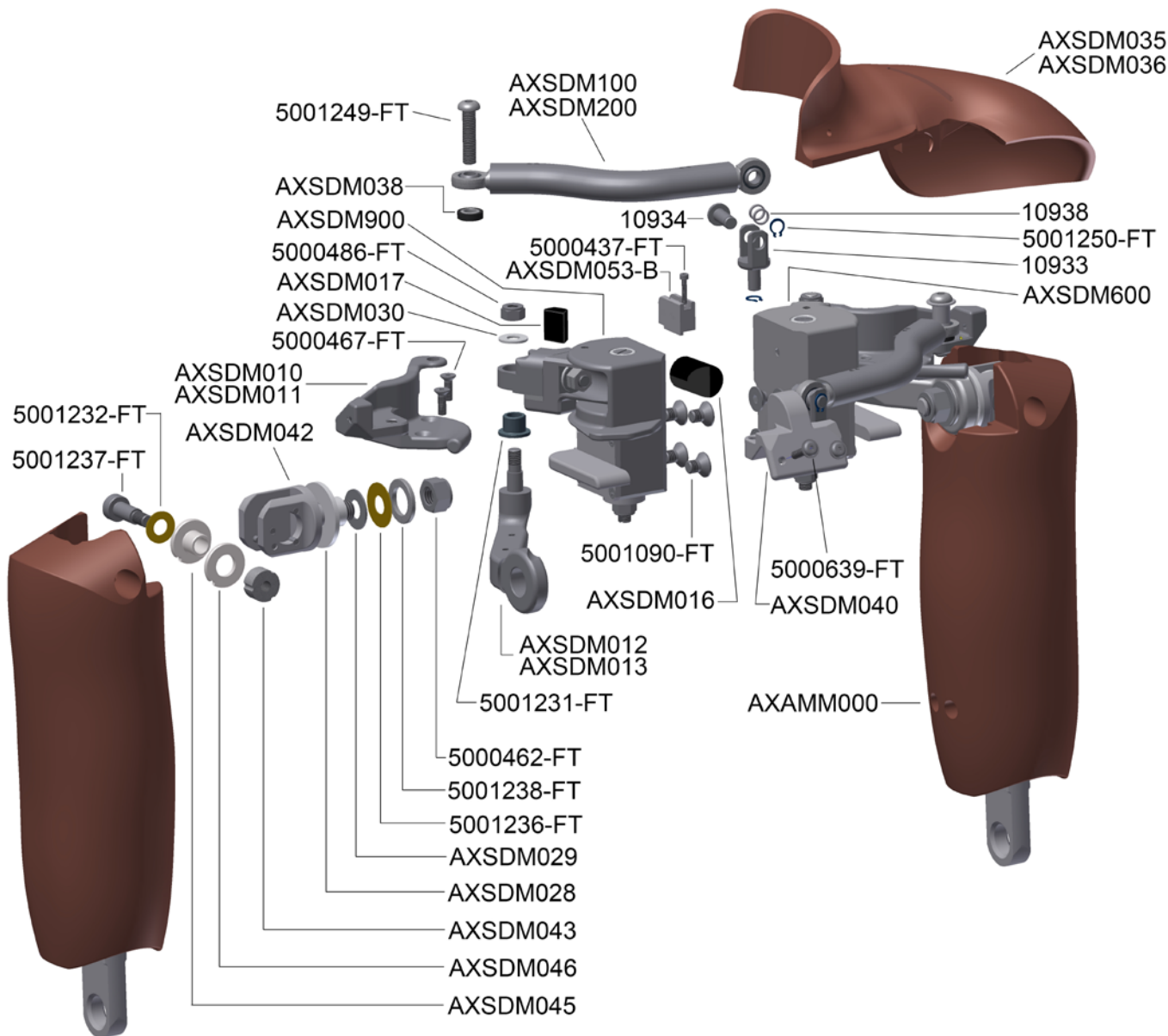
Spine Assembly



Part Number	Description	Qty. Req'd Per Dummy
472-3010	THORAX ASSEMBLY, SD3 (Con't)	1
472-3600-A	SPINE MECHANICAL ASSEMBLY	1
472-3620-B	UPPER THORACIC SPINEBOX WELDMENT	1
472-3630	NECK PITCH MECHANISM ASSEMBLY	1
472-3633	NECK PITCH, BASE PLATE	1
472-3636	NECK PITCH TOP PLATE	1
472-3637	NECK PITCH CHANGE STAR ASSEMBLY	1
472-3638	M5 NECK PITCH CHANGE SCREW	1
5001132-FT	SCREW SHCS M10 X 1.5 X 55	1
472-3646	UPPER THORACIC SPINE FLEX JOINT ASS'Y	1
472-3640	UPPER THORACIC SPINE FLEX JOINT MOLDED	1
472-3645	U. THORAX SPINE FLEX JOINT CABLE ASS'Y	2
472-3647	M12 VINYL NUT COVER	2
472-3747	NUT, M12 X 1.75 MODIFIED	2
9003938	WASHER FLAT 1/2 ZINC (17/32 X 1 X .063)	2
472-3670-A	LUMBAR SPINE PITCH ASSEMBLY	1
472-3681	LUMBAR SPINE PITCH, TOP PLATE	1
472-3685	LUMBAR SPINE PITCH CHANGE STAR ASSY	1
472-3691	LUMBAR SPINE PITCH, BOTTOM PLATE	1
472-3713-A	LUMBAR SPINE PITCH, INDICATOR	1
5000442-FT	SCREW, SHCS, M12 X 1.75 X 60	1
5000116-FT	SCREW FHCS M3 X 0.5 X 8	2
5001091-FT	SCREW FHCS M8 X 1.25 X 16	6
472-3650	LOWER THORACIC SPINE ASSEMBLY	1
472-3720	LC, STRUCTUAL REPLACEMT, THORACIC SPINE	1
472-3760	PELVIS & LUMBAR MOUNTING BLOCK	1
472-3746	LUMBAR SPINE FLEX JOINT ASSEMBLY	1
472-3740	LUMBAR SPINE FLEX JOINT MOLDED	1
472-3745	LUMBAR SPINE FLEX JOINT CABLE ASSEMBLY	2
472-3647	M12 VINYL NUT COVER	2
472-3747	NUT, M12 X 1.75 MODIFIED	2
9003938	WASHER FLAT 1/2 ZINC (17/32 X 1 X .063)	2
472-3733-B	LC THORACIC SPINE FLEX JOINT ADPTR ASSY	1
472-3775	TILT SENSOR ASSEMBLY	1
472-3773	TILT SENSOR MOUNT UPPER SPINE	1
5000215-FT	SCREW SHCS M2 X 0.4 X 10	2
472-3776	TILT SENSOR ASSEMBLY, THORACIC SPINE	1
472-3771	TILT SENSOR MOUNT (IES-MSC)	1
5000215-FT	SCREW SHCS M2 X 0.4 X 10	2
472-3777	TILT SENSOR ASSEMBLY, REAR THORACIC	1
472-3772	TILT SENSOR MOUNT UPPER SPINE	1
5000215-FT	SCREW SHCS M2 X 0.4 X 10	2

5000001-FT	SCREW SHCS M6 X 1 X 20	4
5000281-FT	SCREW SHCS M6 X 1 X 12	8
5000204-FT	SCREW FHCS M6 X 1 X 10	4
5000868-FT	SCREW FHCS M8 X 1.25 X 20	16
5001090-FT	SCREW FHCS M8 X 1.25 X 12	2
5001091-FT	SCREW FHCS M8 X 1.25 X 16	2
5000117-FT	SCREW FHCS M8 X 1.25 X 25	2
5000152-FT	SCREW SHCS M4 X 0.7 X 12	2
5000252-FT	SCREW SHCS M3 X 0.5 X 14	2
5000985-FT	SCREW SHCS M2 X 0.4 X 16	4
5000151-FT	SCREW SHCS M4 X 0.7 X 10	3

SD3 Shoulder Assembly

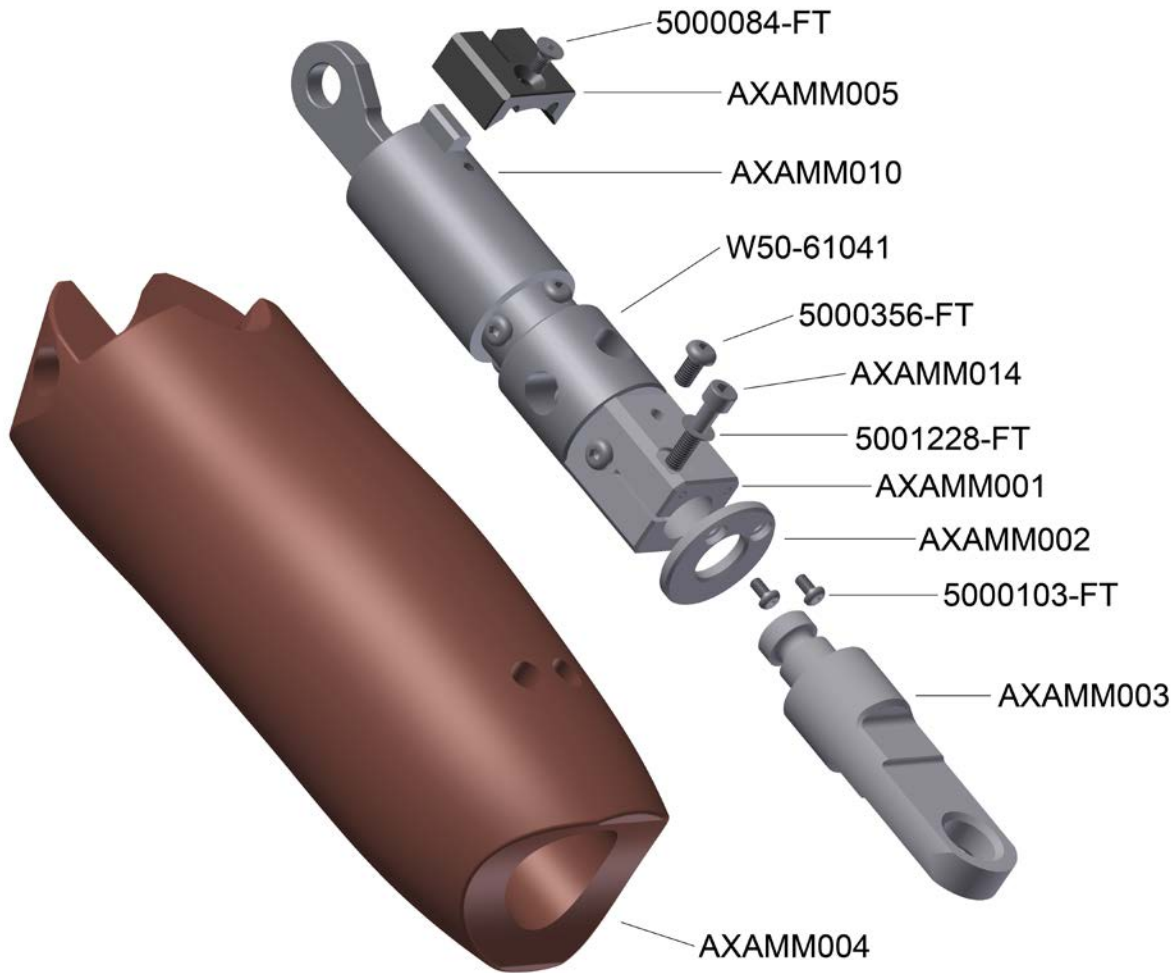


Part Number	Description	Qty. Req'd Per Dummy
472-3010	THORAX ASSEMBLY, SD3 (Con't)	1
AXSDM000	SHOULDER/ARMS ASSY, THOR SD3	1
AXSDM048	SPECIAL CSK SCREW M8X12 THOR SD3	8
AXAMM000	UPPER ARM ASSEMBLY SD3	2
AXSDM040	STERNUM BRACKET THOR SD3	1
AXSDM035	SHOULDER COVER, MOLDED LH	1
AXSDM036	SHOULDER COVER, MOLDED RH	1
AXSDM100	CLAVICLE ASSY LEFT THOR SD3	1
AXSDM200	CLAVICLE ASSY RIGHT THOR SD3	1

AXSDM300	SD3 LEFT SHOULDER ASSY	1
AXSDM500	ARM CLEVIS ASSY	1
AXSDM028	BUSH, ARM PIVOT THOR SD3	1
AXSDM029	WASHER, ARM PIVOT THOR SD3	1
AXSDM042	ARM CLEVIS THOR SD3	1
AXSDM043	NUT, UPPER ARM PIVOT THOR SD3	1
AXSDM045	BUSHING UPPER ARM THOR SD3	1
AXSDM046	WASHER UPPER ARM THOR SD3	1
5000462-FT	NUT HEX NYLON INSERT M12 X 1.75 ZINC	1
5001232-FT	DISC SPRING 20 OD X 10.2 ID X 1.1	1
5001236-FT	DISC SPRING 25 OD X 12.2 ID X 1.25	1
5001237-FT	Screw SHSS, \varnothing 10 x 20 (M8 thread)	1
5001238-FT	WASHER W/TAB 28 OD X 12 ID X .8	1
AXSDM010	SCAPULA LH THOR SD3	1
AXSDM012	ARM LINK LH THOR SD3	1
AXSDM030	WASHER LINK 18X8X1.5 THOR SD3	1
5000467-FT	SCREW FHCS M5 X 0.8 X 16	2
5000486-FT	NUT HEX NYLON INSERT M8 X 1.25 ZINC	1
AXSDM600	SD3 LEFT SHOULDER PIVOT ASSY	1
AXSDM024	BUFFER VERTICAL THOR SD3	1
AXSDM016	LINK1 ROM REARWARD BUFFER, MOLDED	1
5000486-FT	NUT HEX NYLON INSERT M8 X 1.25 ZINC	1
5001234-FT	DISC SPRING 20 OD X 8.2ID X 1.0	1
AXSDM004	WASHER FRICTION THOR SD3	1
5001231-FT	IGNUS FLANGE BEARING 14 OD X 10 ID X 12	1
5001235-FT	M8 SNEP LOCKNUT	1
5001233-FT	DISC SPRING 18 OD X 8.2ID X 1.0	1
AXSDM030	WASHER LINK 18X8X1.5 THOR SD3	1
AXSDM008	SHOULDER SUPPORT PIVOT LH THOR SD3	1
AXSDM031	WASHER LINK 23X14X1.5 THOR SD3	1
5001230-FT	IGNUS SLEEVE BEARING 14 OD X 10 ID X 10	1
AXSDM700	LEFT SHOULDER SPRING ASSEMBLY	1
AXSDM017	LINK1 ROM REARWARD BUFFER	1
AXSDM025	BUFFER LOWER LH THOR SD3	1
AXSDM400	SD3 RIGHT SHOULDER ASSY	1
AXSDM500	ARM CLEVIS ASSY	1
AXSDM028	BUSH, ARM PIVOT THOR SD3	1
AXSDM029	WASHER, ARM PIVOT THOR SD3	1
AXSDM042	ARM CLEVIS THOR SD3	1
AXSDM043	NUT, UPPER ARM PIVOT THOR SD3	1
AXSDM045	BUSHING UPPER ARM THOR SD3	1
AXSDM046	WASHER UPPER ARM THOR SD3	1
5000462-FT	NUT HEX NYLON INSERT M12 X 1.75 ZINC	1
5001232-FT	DISC SPRING 20 OD X 10.2 ID X 1.1	1
5001236-FT	DISC SPRING 25 OD X 12.2 ID X 1.25	1
5001237-FT	Screw SHSS, \varnothing 10 x 20 (M8 thread)	1
5001238-FT	WASHER W/TAB 28 OD X 12 ID X .8	1
AXSDM011	SCAPULA RH THOR SD3	1
AXSDM013	ARM LINK RH THOR SD3	1

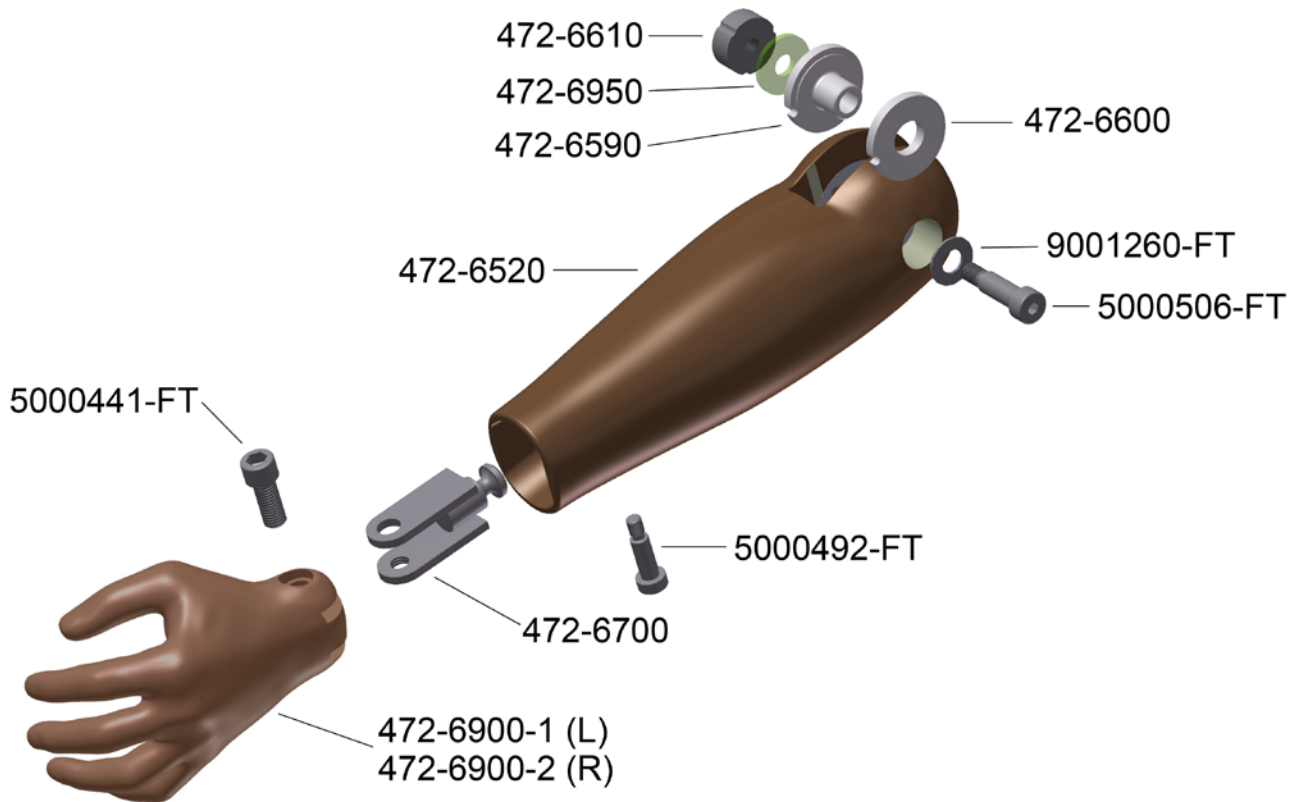
AXSDM030	WASHER LINK 18X8X1.5 THOR SD3	1
5000467-FT	SCREW FHCS M5 X 0.8 X 16	2
5000486-FT	NUT HEX NYLON INSERT M8 X 1.25 ZINC	1
AXSDM900	RIGHT SHOULDER PIVOT ASSY	1
AXSDM024	BUFFER VERTICAL THOR SD3	1
AXSDM016	LINK1 ROM REARWARD BUFFER, MOLDED	1
5000486-FT	NUT HEX NYLON INSERT M8 X 1.25 ZINC	1
5001234-FT	DISC SPRING 20 OD X 8.2ID X 1.0	1
AXSDM004	WASHER FRICTION THOR SD3	1
5001231-FT	IGNUS FLANGE BEARING 14 OD X 10 ID X 12	1
5001235-FT	M8 SNEP LOCKNUT	1
5001233-FT	DISC SPRING 18 OD X 8.2ID X 1.0	1
AXSDM030	WASHER LINK 18X8X1.5 THOR SD3	1
AXSDM009	SHOULDER SUPPORT PIVOT RH THOR SD3	1
AXSDM031	WASHER LINK 23X14X1.5 THOR SD3	1
5001230-FT	IGNUS SLEEVE BEARING 14 OD X 10 ID X 10	1
AXSDM800	RIGHT SHOULDER SPRING ASSEMBLY	1
AXSDM017	LINK1 ROM REARWARD BUFFER	1
AXSDM026	BUFFER LOWER RH THOR SD3	1
AXSDM038	ROD END SPACER ASSY	2
AXSDM053-B	T1 ACCELEROMETER MOUNT THOR SD3	1
10938	CLEVIS SPACER, THOR SD3 CLAVICLE	4
10934	MEDIAL CLEVIS PIN, THOR SD3 CLAVICLE	2
10933	MEDIAL CLEVIS, THOR SD3 CLAVICLE	2
5000639-FT	SCREW BHCS M5 X 20 HEX SOCKET W/FLANGE	2
5001250-FT	RETAINING RING EXTERNAL 8 MM	4
5000437-FT	SCREW SHCS M3 X 0.5 X 16	1
5001249-FT	SCREW, SS M8 X 1.25 X 35 BUTTON HEADCAP	2
5001090-FT	SCREW FHCS M8 X 1.25 X 12	8
6002121	CABLE TIE SELF LOCKING 3MAX BUNDLE DIA	4
9000380-DN	SCREW, SHCS 6-32 X 5/8	1

Upper Arm Assembly



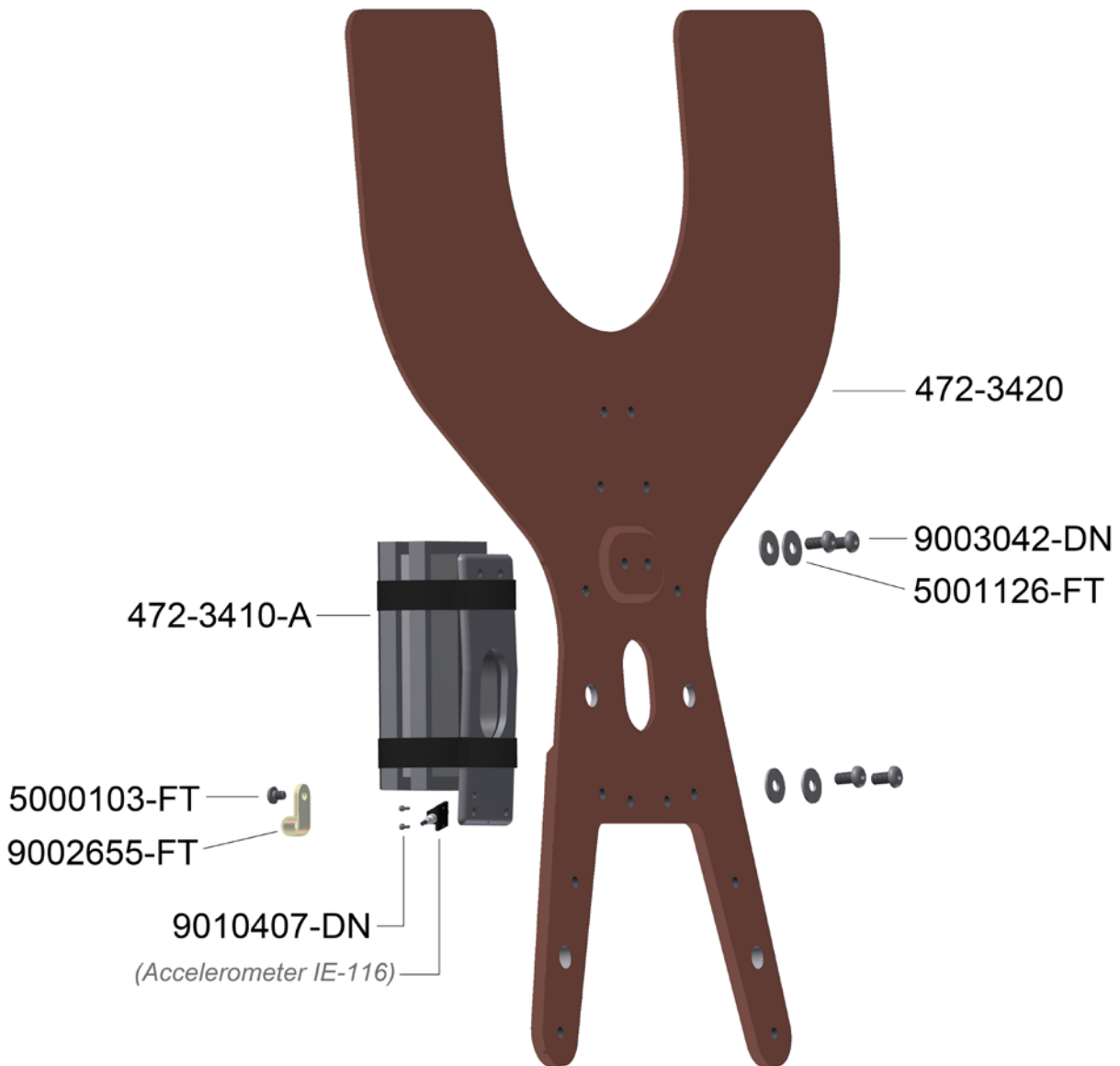
Part Number	Description	Qty. Req'd Per Dummy
AXSDM000	SHOULDER/ARMS ASSY, THOR SD3 (Con't)	1
AXAMM000	UPPER ARM ASSEMBLY SD3	2
AXAMM014	M6 SPECIAL BOLT THOR SD3	1
AXAMM003	UPPER ARM LOWER SECTION THOR SD3	1
AXAMM002	END PLATE ARM THOR SD3	1
AXAMM004	ARM FLESH, UPPER - THOR	1
AXAMM005	ARM FLESH SPACER THOR SD3	1
AXAMM001	LOAD CELL INTERFACE LOWER THOR SD3	1
AXAMM010	UPPER HUMERUS ASSEMBLY	1
W50-61041	STRUCTURAL REPLACEMENT, WS ARM LC	1
5000084-FT	SCREW FHCS M5 X 0.8 X 10	1
5000103-FT	SCREW BHCS M4 X 0.7 X 8	2
5000356-FT	SCREW BHCS M6 X 1 X 12	8
5001228-FT	SPRING WASHER M6	1

Lower Arm Assemblies



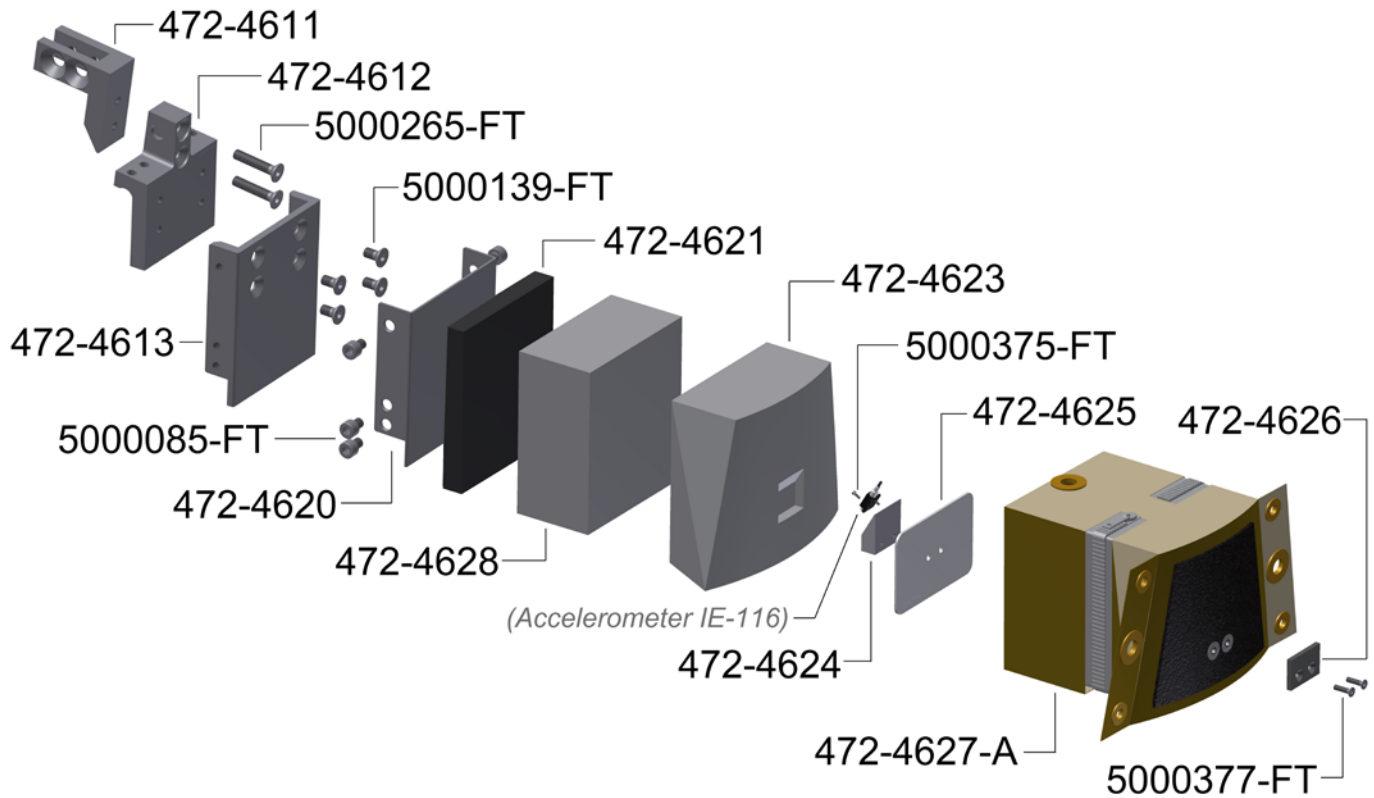
Part Number	Description	Qty. Req'd Per Dummy
472-6500-1	LOWER ARM ASSY, LEFT, THOR	1
472-6500-2	LOWER ARM ASSY, RIGHT, THOR	1
472-6520	LOWER ARM ASSEMBLY, MOLDED	2
472-6590	BUSHING, UPPER ARM & ELBOW PIVOT	2
472-6600	WASHER, UPPER ARM & ELBOW PIVOT	2
472-6610	NUT, ELBOW PIVOT	2
472-6700	LOWER WRIST ROTATION WELDMENT	2
472-6900-1	HAND MOLDED, LEFT	1
472-6900-2	HAND MOLDED, RIGHT	1
472-6950	WASHER, SHOULDER JOINT	2
5000441-FT	SCREW SHCS M12 X 1.75 X 30	2
5000506-FT	SCREW SHSS M12 X 30 (M10 X 1.5 THREAD)	2
5000492-FT	SCREW SHSS M10 X 25 (M8 X 1.25 THREAD)	2
9001260-FT	WASHER (1.06 X .53 X .06) CAD PLATE	2

Bib Assembly



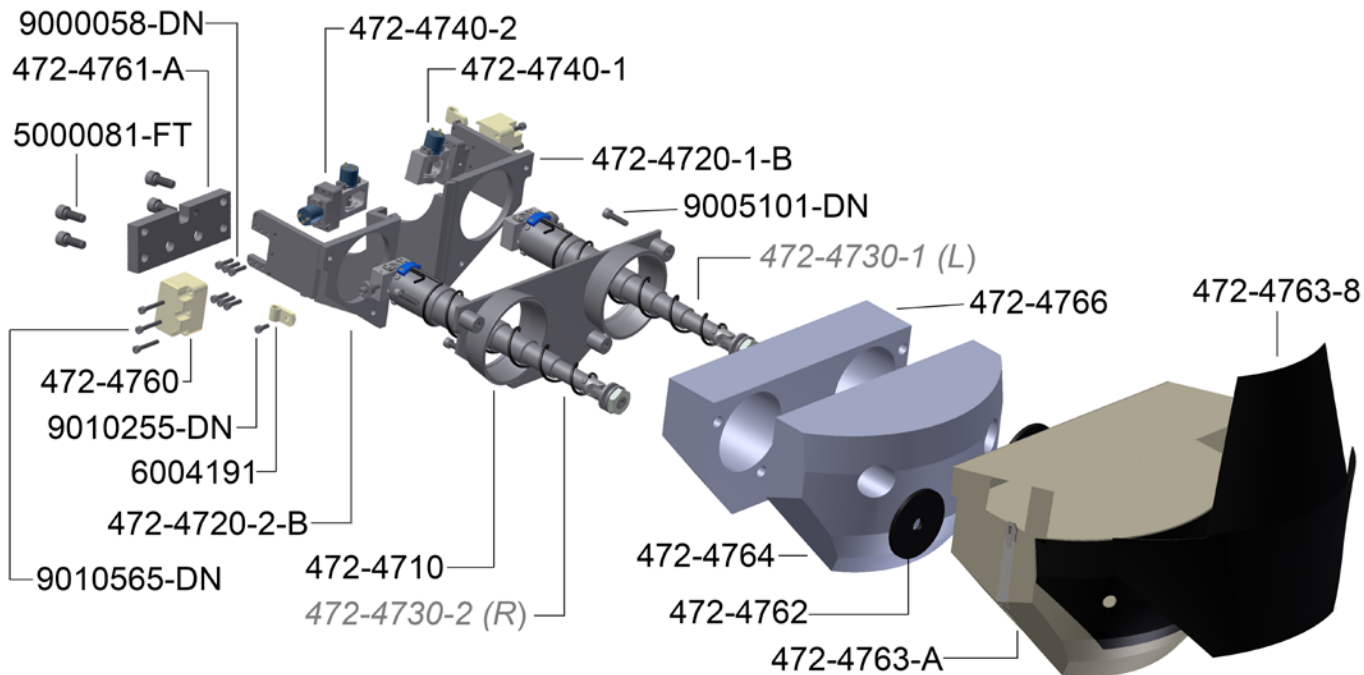
Part Number	Description	Qty. Req'd Per Dummy
472-3010	THORAX ASSEMBLY, SD3 (Con't)	1
472-3400-A	THORAX BIB ASSEMBLY	1
472-3410-A	MID-STERNUM BONDING ASSEMBLY	1
472-3420	THORAX OUTER BIB	1
5001126-FT	WASHER FLAT M5 5.3ID X 15OD X 1.2THK SS	4
5000103-FT	SCREW BHCS M4 X 0.7 X 8	1
9003042-DN	SCREW, BHCS M5 X 10	4
9010407-DN	SCREW, SHCS M1.4 X 0.3 X 3MM	2
9002655-FT	WIRE CLAMP 1/8	1

Upper Abdomen Assembly



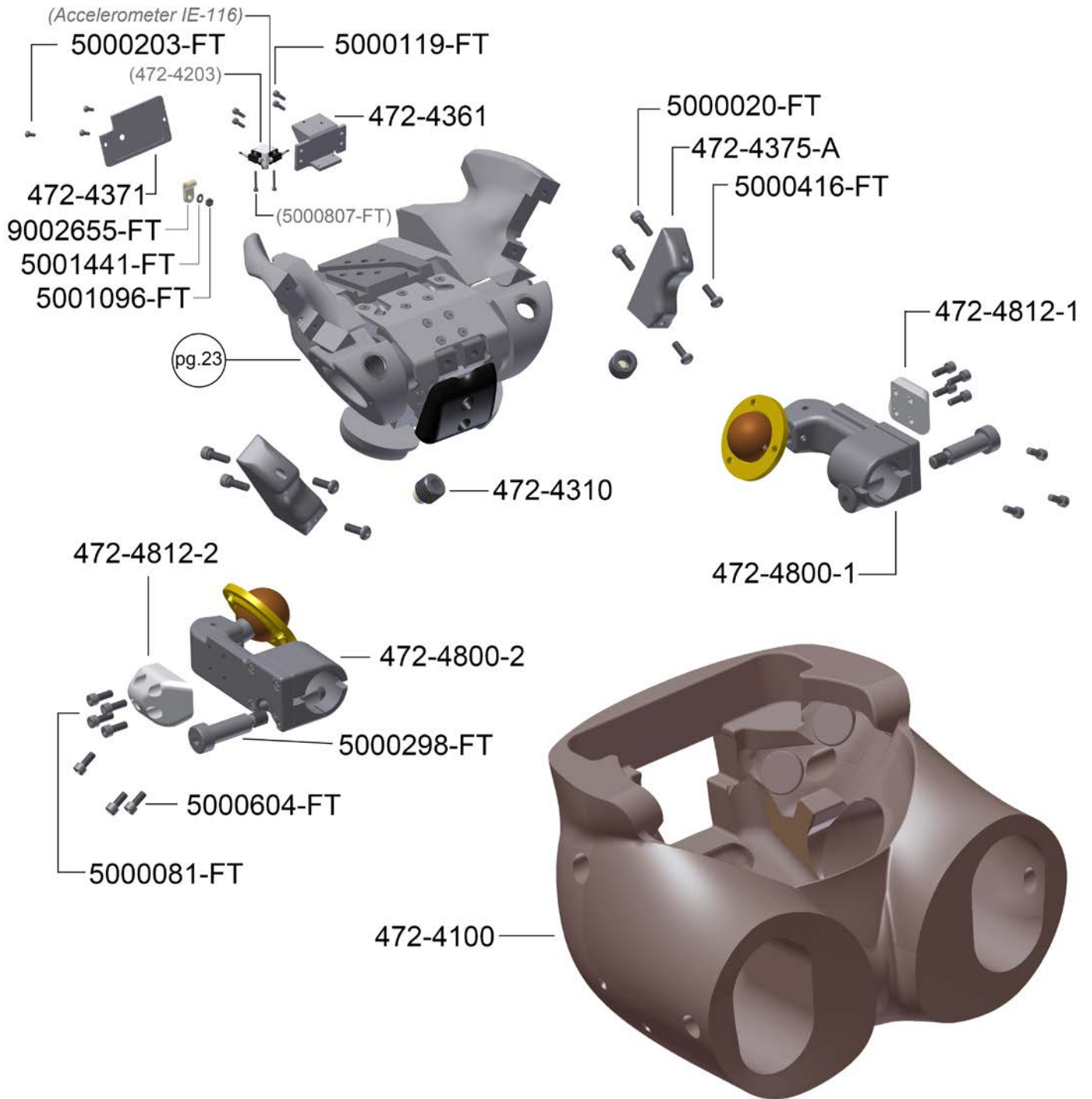
Part Number	Description	Qty. Req'd Per Dummy
472-3010	THORAX ASSEMBLY, SD3 (Con't)	1
472-4600-A	UPPER ABDOMEN ASSEMBLY	1
472-4610	SPINAL MOUNT BRACKET ASSEMBLY	1
472-4612	THORACIC INSTR. BRACKET BASE PLATE	1
472-4611	THORACIC INSTR. BRACKET UPPER ABDOMEN	1
472-4613	UPPER ABDOMEN SPINAL MOUNT BRACKET	1
5000139-FT	SCREW FHCS M6 X 1 X 12	4
5000265-FT	SCREW FHCS M6 X 1 X 30	2
472-4620	UPPER ABDOMEN INTERN. MOUNT PLATE FRONT	1
472-4621	INTERNAL FOAM REAR LAYER	1
472-4623	INTERNAL FOAM FRONT LAYER	1
472-4624	ACCELEROMETER MOUNT, UPPER ABDOMEN	1
472-4625	LOAD DISTRIBUTION PLATE	1
472-4626	ACCELEROMETER MOUNT PLATE	1
472-4627-A	SEWING ASSEMB, UPPER ABDOMEN	1
472-4628	INTERNAL FOAM MIDDLE LAYER	1
5000377-FT	SCREW FHCS M3 X 0.5 X 12 18-8 SS	2
5000375-FT	SCREW SHCS M1.4 X 0.3 X 4	2
5000085-FT	SCREW SHCS M6 X 1.0 X 8	6

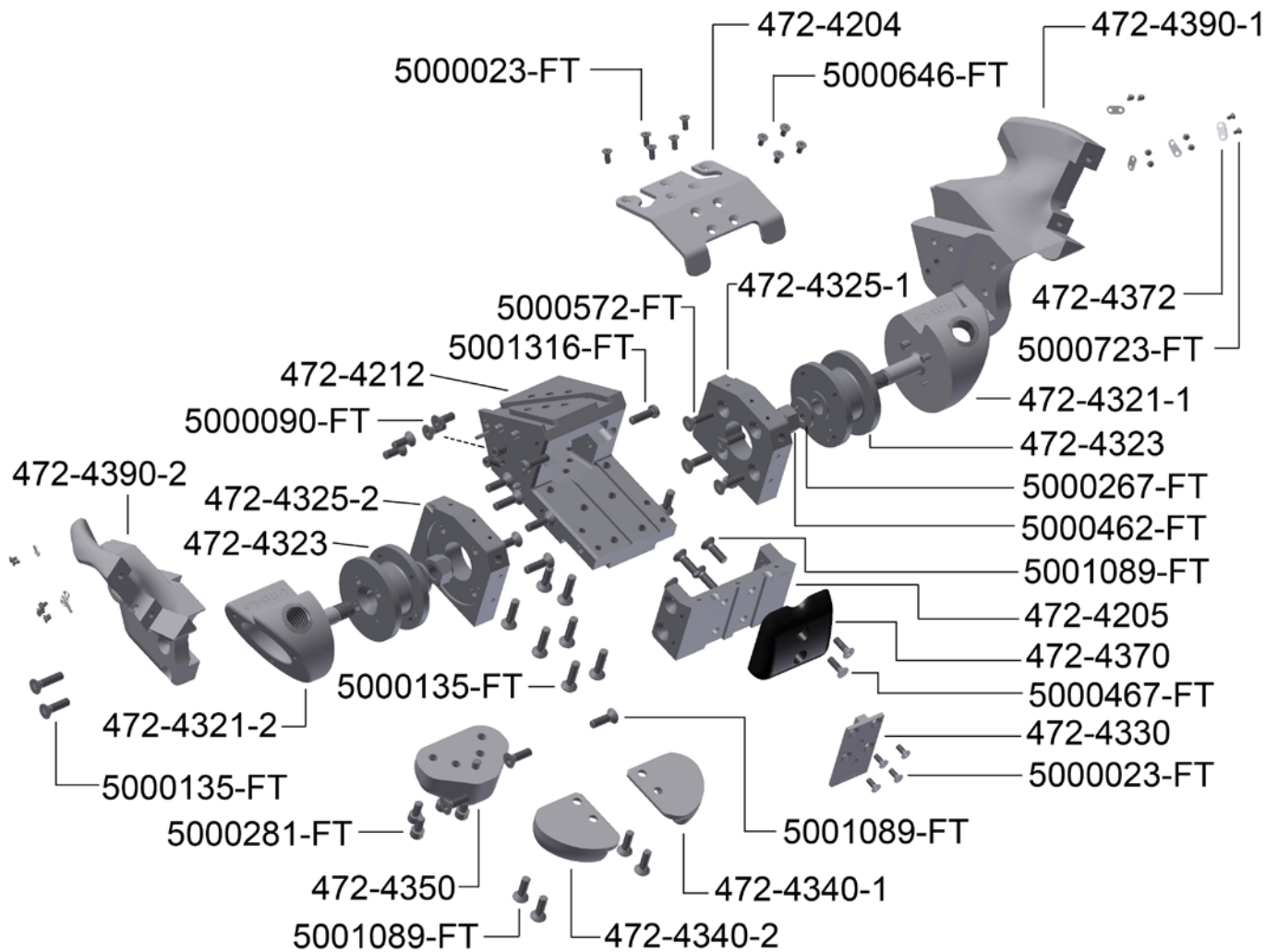
Lower Abdomen Assembly



Part Number	Description	Qty. Req'd Per Dummy
472-3010	THORAX ASSEMBLY, SD3 (Con't)	1
472-4700-A	LOWER ABDOMEN MECHANICAL ASSY	1
472-4710	INTERNAL MOUNTING WELD ASSY	1
472-4720-1-B	ATTACH BRACKET WELD ASSY LEFT	1
472-4720-2-B	ATTACH BRACKET WELD ASSY RIGHT	1
472-4740-1	PIVOT ASSEMBLY LEFT	1
472-4740-2	PIVOT ASSEMBLY RIGHT	1
472-4760	POTENTIOMETER COVER	2
472-4761-A	REAR ATTACHMENT PLATE	1
472-4762	LOWER ABDOMEN DISTRIBUTION PLATE	2
472-4763-A	LOWER ABDOMEN BAG ASSY	1
472-4763-8	COVER, VELCRO, UPPER/LOWER ABDOMEN	1
472-4764	LOWER ABDOMEN FRONT FOAM	1
472-4766	LOWER ABDOMEN REAR FOAM LAYER	1
5000081-FT	SCREW SHCS M6 X 1 X 16	4
6004191	3/16 PLASTIC CABLE CLAMP	2
9000058-DN	SCREW, SHCS M3 X 12	12
9010565-DN	SCREW, SHCS M3 X 0.5 X 20	6
9005101-DN	SCREW, SHCS M6 X 20	4
9010255-DN	SCREW, SHCS M3 X 8	2
6004781	TAPE DOUBLE SIDED SCOTCH 665	1

Pelvis Assembly

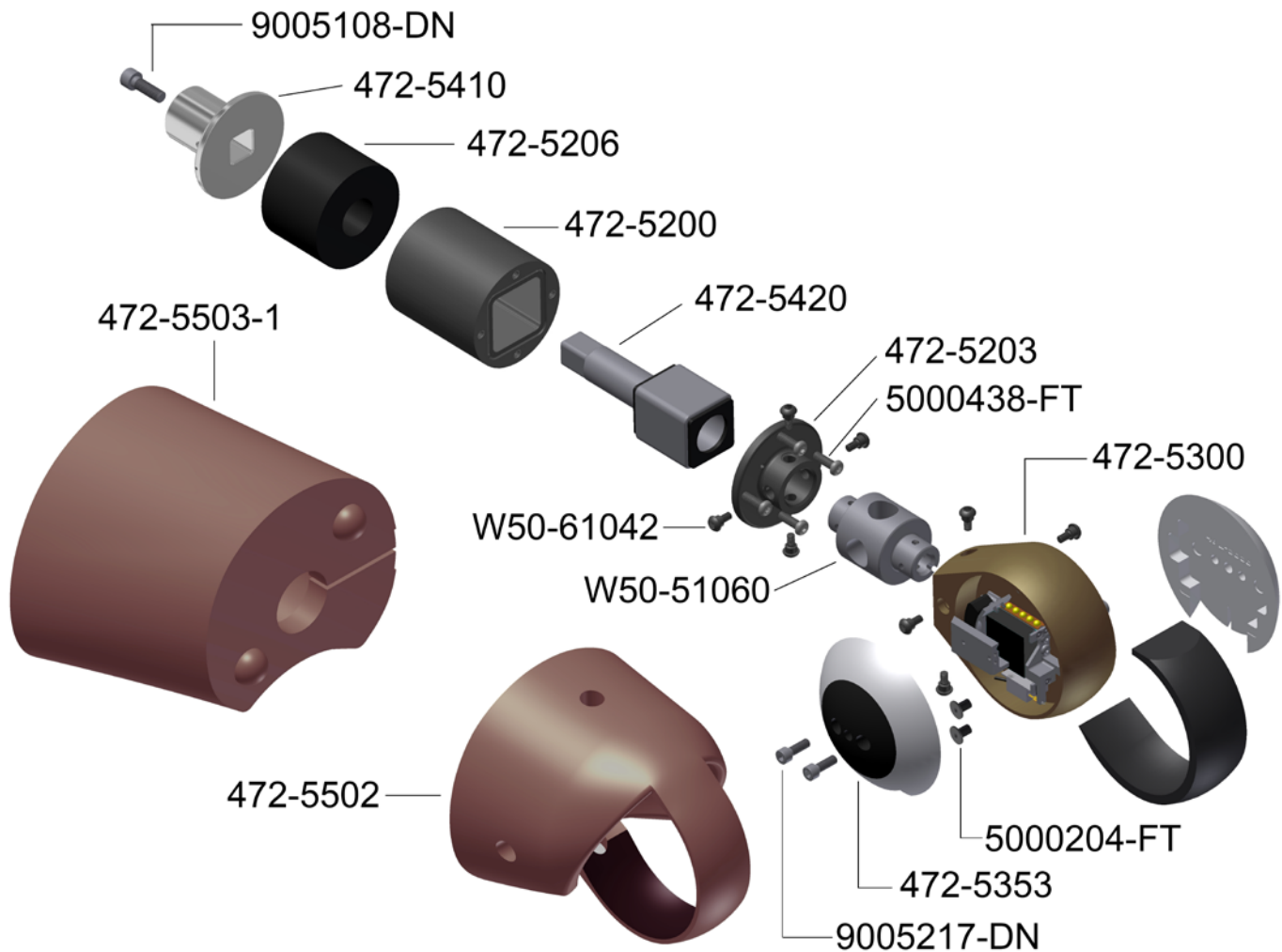




Part Number	Description	Qty. Req'd Per Dummy
472-4000-A	Pelvis Assembly	1
472-4100	PELVIS FLESH MOLDED	1
472-4204	PELVIS TOP PLATE	1
472-4205	PELVIS REAR PLATE	1
472-4212	PELVIS BASE MODULE	1
472-4310	FRICTION ADJUSTMENT SET SCREW ASSY	2
472-4321-1	PELVIS SOCKET ADAPTOR LEFT	1
472-4323	ACETABULAR LC STRUCTURAL REPLACEMENT	2
472-4321-2	PELVIS SOCKET ADAPTOR RIGHT	1
472-4325-1	PELVIS LOAD CELL MTG PLATE, LEFT	1
472-4325-2	PELVIS LOAD CELL MTG PLATE, RIGHT	1
472-4330	FRONT PELVIC PLATE	1
472-4340-1	PELVIS LEFT D-PT	1
472-4340-2	PELVIS RIGHT D-PT	1
472-4350	PELVIC COCCYX	1
472-4361	PELVIS TRI-PACK MOUNTING BRKT	1
472-4370	FRONT PELVIS CASTING	1
472-4371	PELVIS ACCELEROMETER COVER	1

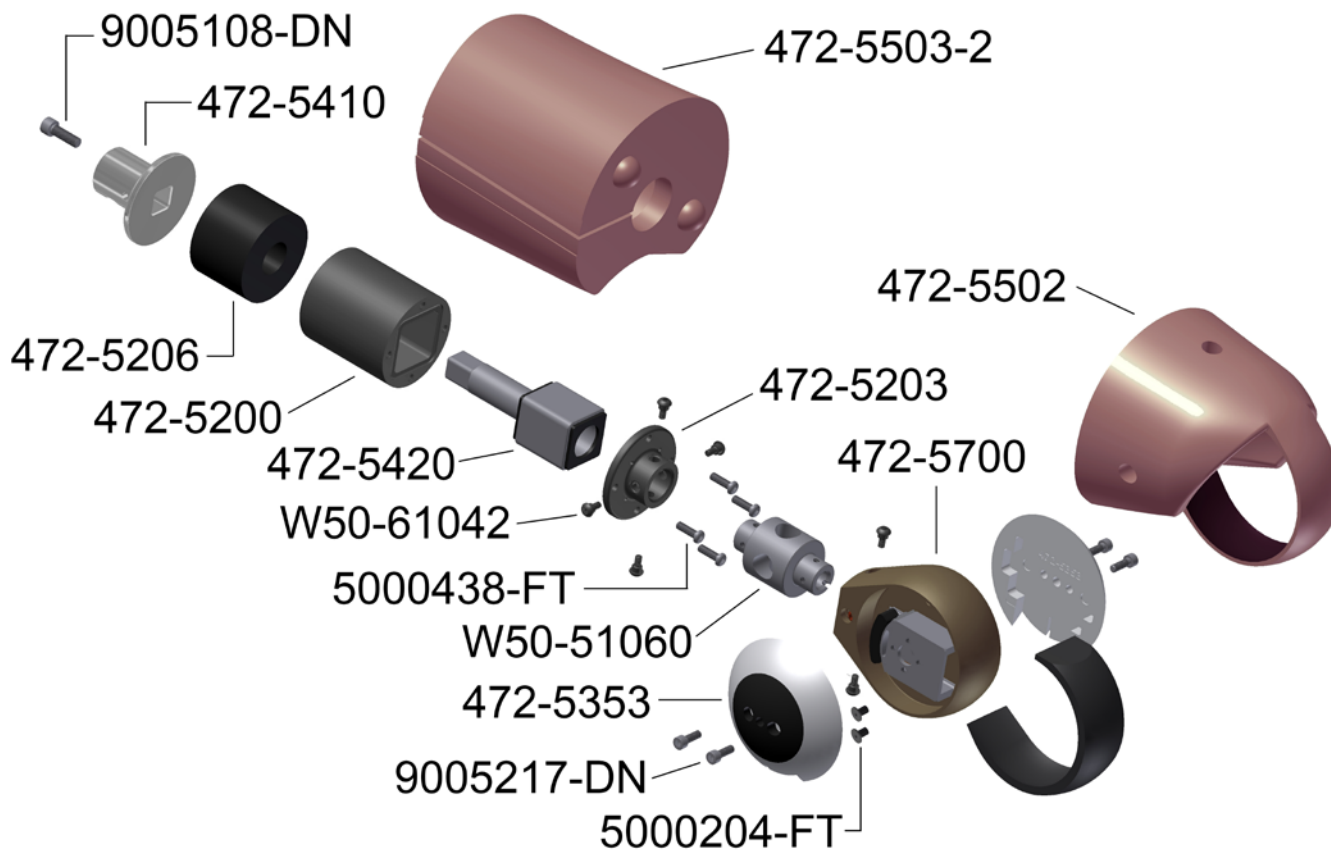
472-4372	ILIAC CABLE COVER, PELVIS	8
472-4375-A	S.R. THOR A.S.I.S	2
472-4376-A	S.R. THOR A.S.I.S. - BACK	2
472-4377-A	S.R. THOR A.S.I.S. - FRONT	2
5000416-FT	SCREW BHCS M5 X 0.8 X 16	4
5000020-FT	SCREW SHCS M5 X 0.8 X 16	4
472-4390-1	ILIAC WING LEFT	1
472-4390-2	ILIAC WING RIGHT	1
472-4800-1	LEFT FEMUR BALL JOINT ASSY	1
472-4812-1	TROCHANTER, LEFT	1
5000081-FT	SCREW SHCS M6 X 1 X 16	4
5000298-FT	SCREW SHSS M16 X 40 (M12 X 1.75 THREAD)	1
472-4800-2	RIGHT FEMUR BALL JOINT ASSY	1
472-4812-2	TROCHANTER, RIGHT	1
5000081-FT	SCREW SHCS M6 X 1 X 16	4
5000298-FT	SCREW SHSS M16 X 40 (M12 X 1.75 THREAD)	1
5000135-FT	SCREW FHCS M6 X 1 X 25	8
5001089-FT	SCREW FHCS M6 X 1 X 20	12
5000281-FT	SCREW SHCS M6 X 1 X 12	4
5000467-FT	SCREW FHCS M5 X 0.8 X 16	2
5000723-FT	SCREW FHCS M2.5 X .45 X 5	16
5000572-FT	SCREW FHCS M6 X 1 X 22	10
5000119-FT	SCREW SHCS M3 X 0.5 X 10	4
5000203-FT	SCREW FHCS M3 X 0.5 X 10	3
5000023-FT	SCREW FHCS M4 X 0.7 X 10	9
5000267-FT	WASHER FLAT M12 (13 X 24 X 2.5) ZINC	2
5000462-FT	NUT HEX NYLON INSERT M12 X 1.75 ZINC	2
5000604-FT	SCREW SHCS M6 X 1 X 14	6
5000646-FT	SCREW FHCS M4 X 0.7 X 8	4
5001316-FT	SCREW LHCS M6 X 1.0 X 20	2
5000090-FT	SCREW FHCS M6 X 1 X 16	4
9002655-FT	WIRE CLAMP 1/8	1
5001441-FT	WASHER BELLEVILLE 3.2 ID x 7 OD SS	1
5001096-FT	NUT HEX M3 X 0.5 ZINC	1

Upper Leg Assembly Left



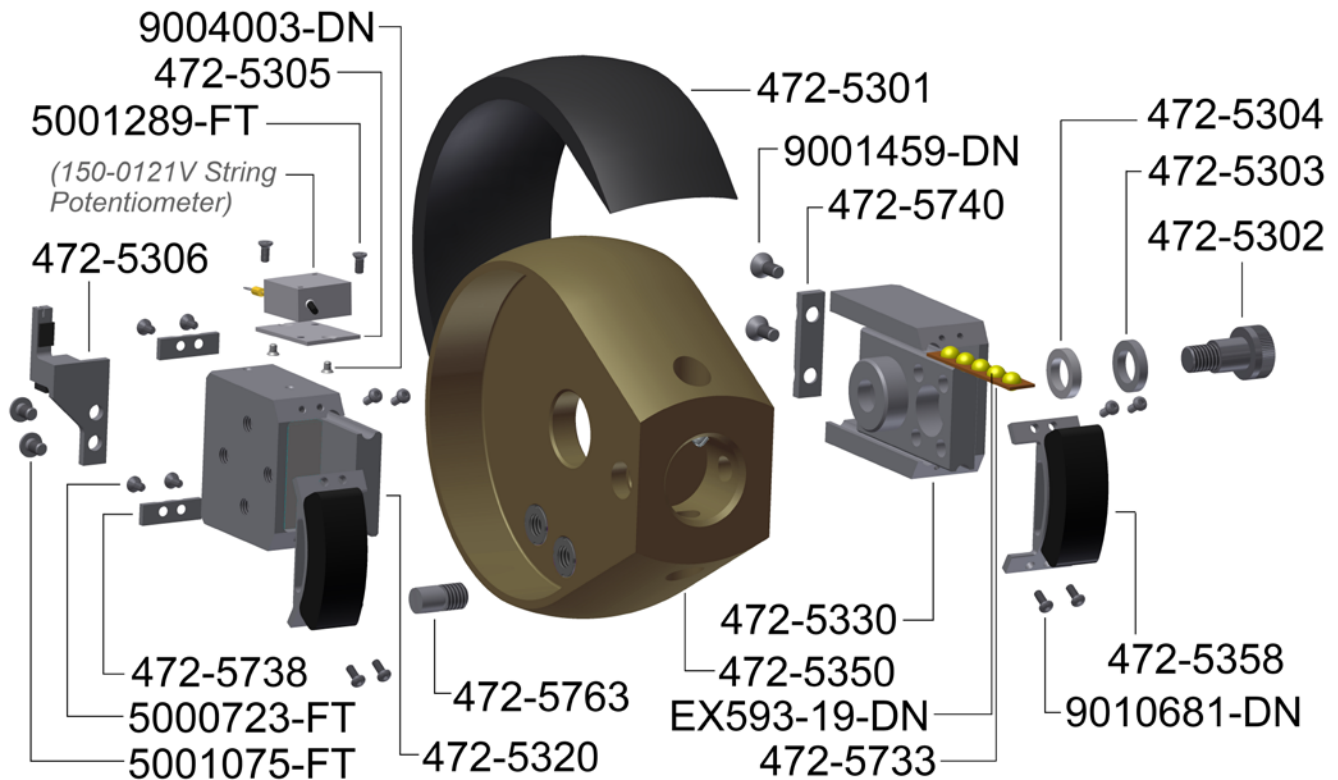
Part Number	Description	Qty. Req'd Per Dummy
472-5100-1	UPPER LEG ASSEMBLY. LEFT	1
472-5200	FEMUR BUSHING ASSY	1
472-5203	END CAP - FEMUR	1
472-5206	COMPRESSION ELEMENT - UPPER LEG	1
472-5300	KNEE CAP ASSY, LEFT	1
472-5353	KNEE COVER	2
472-5410	FEMUR BALL ATTACHMENT PLATE ASSY	1
472-5420	FEMUR PLUNGER ASSY	1
472-5502	KNEE FLESH LEFT/RIGHT	1
472-5503-1	THIGH FLESH LEFT	1
W50-51060	UNIVERSAL LEG LC STRUCTURAL REPLACEMENT	1
W50-61042	SCREW BHSS M6 THREAD MODIFIED	8
5000438-FT	SCREW BHCS M6 X 1 X 20	4
9005108-DN	SCREW, SHCS M8 X 25	1
9005217-DN	SCREW, SHCS M6 X 18	4
5000204-FT	SCREW FHCS M6 X 1 X 10	4

Upper Leg Assembly Right



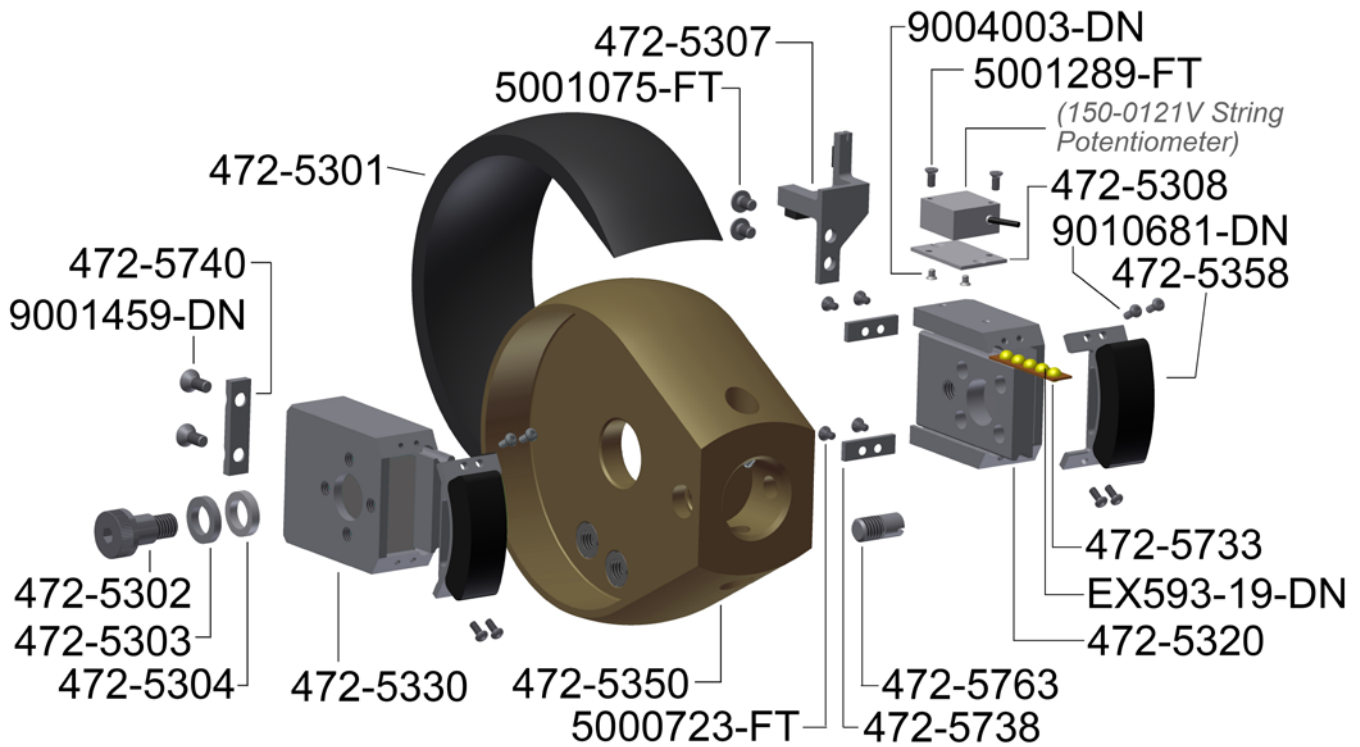
Part Number	Description	Qty. Req'd Per Dummy
472-5100-2	UPPER LEG ASSEMBLY. RIGHT	1
472-5200	FEMUR BUSHING ASSY	1
472-5203	END CAP - FEMUR	1
472-5206	COMPRESSION ELEMENT - UPPER LEG	1
472-5700	KNEE CAP ASSY RIGHT	1
472-5353	KNEE COVER	2
472-5410	FEMUR BALL ATTACHMENT PLATE ASSY	1
472-5420	FEMUR PLUNGER ASSY	1
472-5502	KNEE FLESH LEFT/RIGHT	1
472-5503-2	THIGH FLESH RIGHT	1
W50-51060	UNIVERSAL LEG LC STRUCTURAL REPLACEM	1
W50-61042	SCREW BHSS M6 THREAD MODIFIED	8
5000438-FT	SCREW BHCS M6 X 1 X 20	4
9005108-DN	SCREW, SHCS M8 X 25	1
9005217-DN	SCREW, SHCS M6 X 18	4
5000204-FT	SCREW FHCS M6 X 1 X 10	4

Knee Cap Assembly Left



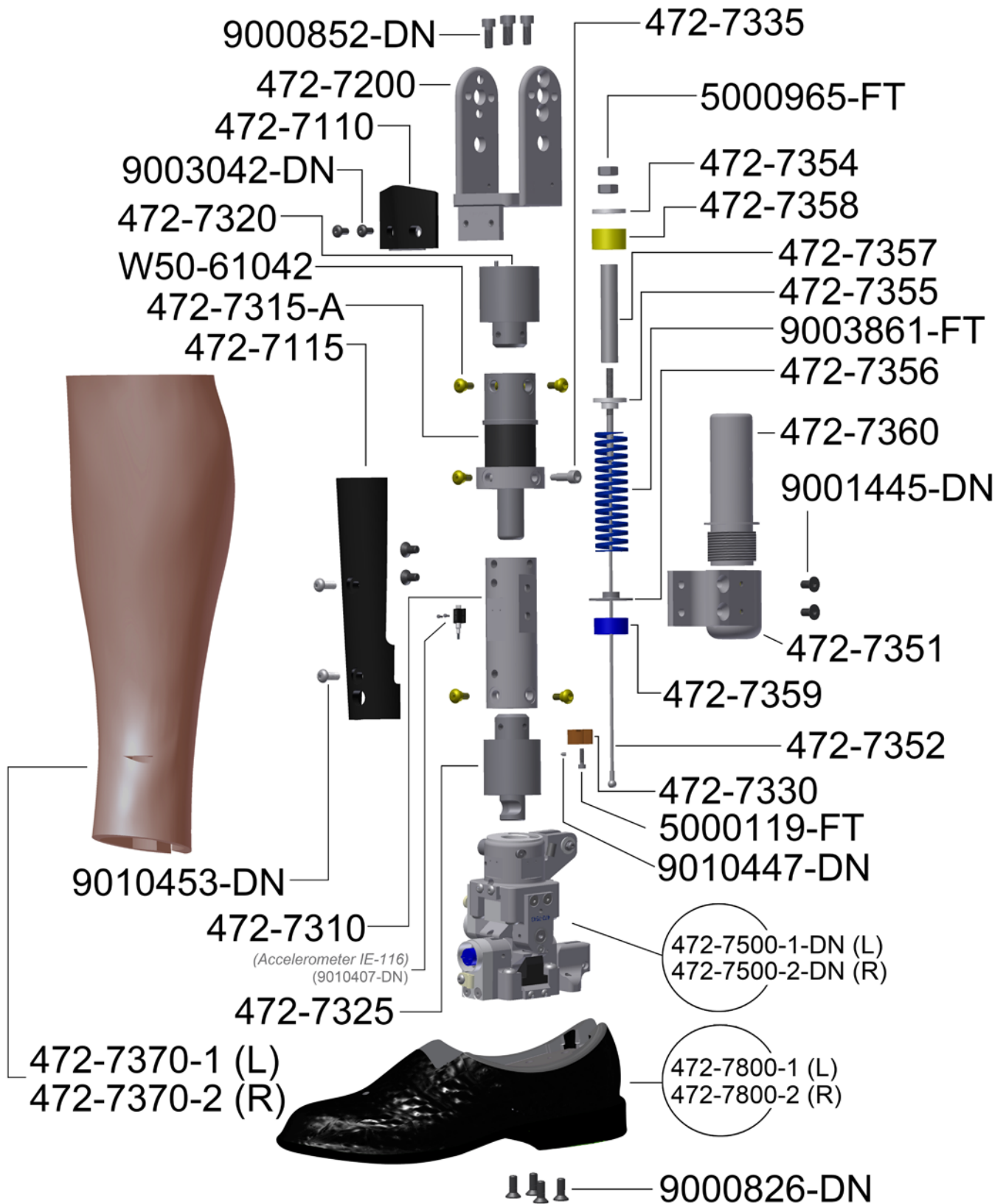
Part Number	Description	Qty. Req'd Per Dummy
472-5300	KNEE CAP ASSY, LEFT	1
472-5301	KNEE FLESH INSERT MOLDED	1
472-5302	BOLT, SHOULDER	1
472-5303	WASHER, SLIDING KNEE	1
472-5304	WASHER, COMPRESSION	1
472-5305	PLATE, MOUNT	1
472-5306	ASSY, POT STRING HOLDER LEFT	1
472-5310	ASSY, INBOARD/OUTBOARD SLIDER	1
472-5320	INBOARD SLIDER MOLDED	1
472-5330	OUTBOARD SLIDER MOLDED	1
472-5740	BALL SLIDER BALL STOP	1
472-5738	STOP BALL	2
472-5733	BRONZE SEPARATOR	4
9010681-DN	SCREW, BHCS M2.5 X .45 X 6	8
9001459-DN	SCREW, FHCS M4 X .7 X 10MM LONG	2
5000723-FT	SCREW FHCS M2.5 X .45 X 5	4
EX593-19-DN	BALLS 3/16 DIA A1	20
472-5358	KNEE SLIDER STOP ASSY	2
472-5350	KNEE CAP	1
472-5763	PIN, KNEE STOP	1
9004003-DN	SCREW, FHCS 2-56 X 1/8, PHILLIPS HEAD	2
5001075-FT	SCREW BHCS M4 X 0.7 X 6	2
5001289-FT	SCREW FHMS PHILLIP M2.5 X 0.45 X 6 SS	2

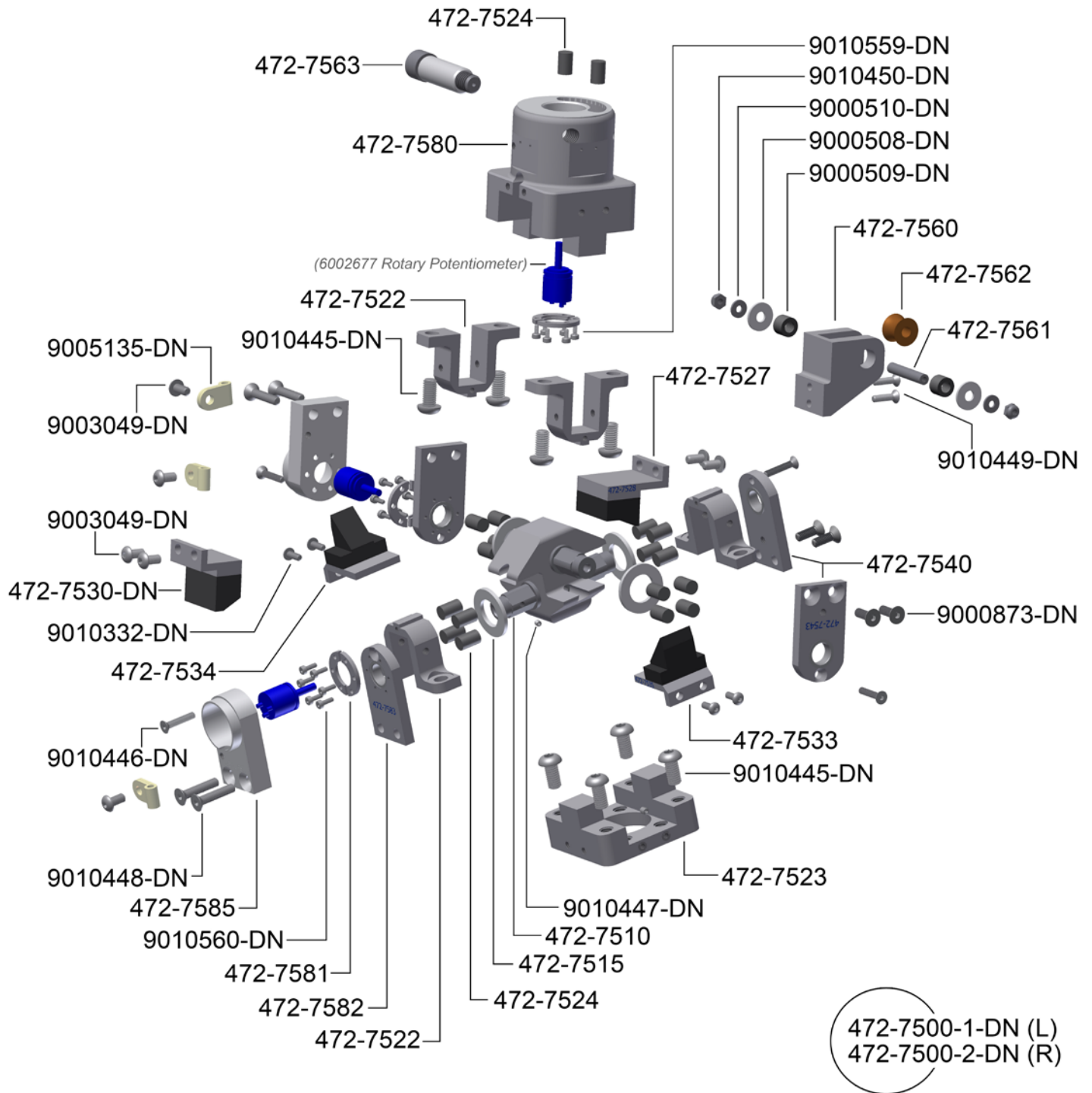
Knee Cap Assembly Right

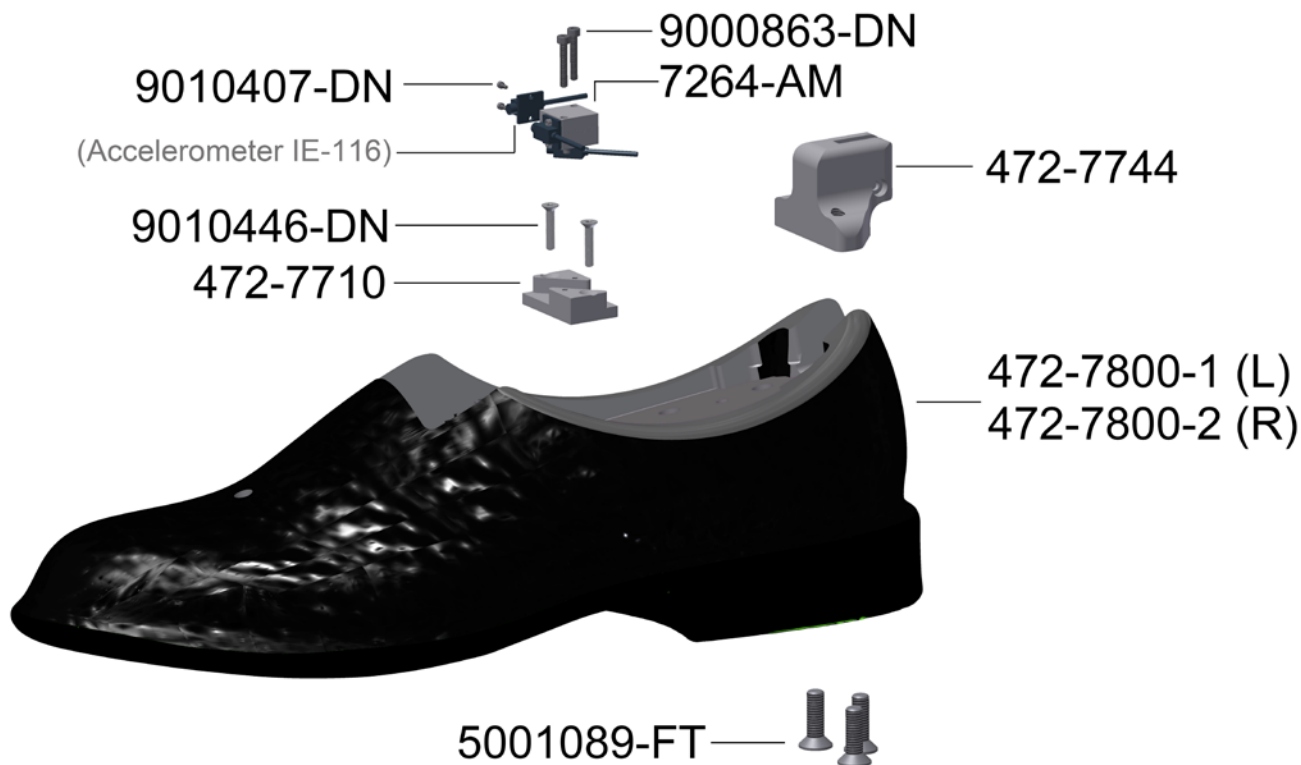


Part Number	Description	Qty. Req'd Per Dummy
472-5700	KNEE CAP ASSY, RIGHT	1
472-5301	KNEE FLESH INSERT MOLDED	1
472-5302	BOLT, SHOULDER	1
472-5303	WASHER, SLIDING KNEE	1
472-5304	WASHER, COMPRESSION	1
472-5307	ASSY, POT STRING HOLDER RIGHT	1
472-5308	PLATE MOUNT	1
472-5310	ASSY, INBOARD/OUTBOARD SLIDER	1
472-5320	INBOARD SLIDER MOLDED	1
472-5330	OUTBOARD SLIDER MOLDED	1
472-5740	BALL SLIDER BALL STOP	1
472-5738	STOP BALL	2
472-5733	BRONZE SEPARATOR	4
9010681-DN	SCREW, BHCS M2.5 X .45 X 6	8
9001459-DN	SCREW, FHCS M4 X .7 X 10MM LONG	2
5000723-FT	SCREW FHCS M2.5 X .45 X 5	4
EX593-19-DN	BALLS 3/16 DIA A1	20
472-5358	KNEE SLIDER STOP ASSY	2
472-5350	KNEE CAP	1
472-5763	PIN, KNEE STOP	1
5001075-FT	SCREW BHCS M4 X 0.7 X 6	2
5001289-FT	SCREW FHMS PHILLIP M2.5 X 0.45 X 6 SS	2
9004003-DN	SCREW, FHCS 2-56 X 1/8, PHILLIPS HEAD	1

LX Lower Leg Assembly Left & Right







Part Number	Description	Qty. Req'd Per Dummy
472-7000-1-DN	LEG ASSY, LEFT, THOR-LX	1
472-7000-2-DN	LEG ASSY, RIGHT, THOR-LX	1
472-7110-DN	KNEE BUMPER, MOLDED KNEE, THOR-LX	1
472-7115-DN	SHIN GUARD, THOR-LX	1
472-7200-DN	KNEE CLEVIS WELDMENT, THOR-LX	1
472-7300	LOWER LEG ASSY, THOR-LX	2
472-7310-DN	LOWER TIBIA TUBE ASSY, THOR-LX	1
472-7315-A	TIBIA COMPLIANT BUSHING ASSY, THOR-LX	1
472-7320-DN	LOAD CELL BLANK, UPPER TIBIA, THOR-LX	1
472-7325-DN	LOAD CELL BLANK, LOWER TIBIA, THOR-LX	1
472-7330-DN	Z ROTATION WEDGE ASSY, THOR-LX	1
472-7335-DN	RETAINING BOLT, PLUNGER, THOR-LX	2
472-7350-DN	ACHILLES SPRING TUBE ASSY, THOR-LX	1
472-7360-DN	TUBE, ACHILLES SPRING, THOR-LX	1
472-7351-DN	TUBE BASE, ACHILLES SPRING, THOR-LX	1
472-7352-DN	ACHILLES CABLE ASSY, THOR-LX	1
5000965-FT	NUT HEX JAM M5 X 0.8 18-8 SS	2
472-7354-DN	WASHER, ACHILLES PRIMARY, THOR-LX	1
472-7355-DN	SPRING CAP, ACHILLES, THOR-LX	1
472-7356-DN	SPRING BASE CAP, ACHILLES, THOR-LX	1
472-7357-DN	ELASTOMERIC SPRING ELEMENT, THOR-LX	1

472-7358-DN	FOAM COMPRESSION ELEMENT, THOR-LX	1
472-7359-DN	MOCK LOAD CELL, ACHILLES, THOR-LX	1
9003861-FT	COMP SPRING, 3.5 IN, 137 LB/IN	1
9010447-DN	SCREW, SET M3 X 0.5 X 3, NYLON TIP	2
472-7370-1-DN	LOWER LEG FLESH, LEFT	1
472-7370-2-DN	LOWER LEG FLESH, RIGHT	1
W50-61042	SCREW BHSS M6 THREAD MODIFIED	9
5000119-FT	SCREW, SHCS M3 X 12	1
472-7500-1-DN	ANKLE ASSEMBLY, LEFT	1
472-7500-2-DN	ANKLE ASSEMBLY, RIGHT	1
472-7510-DN	ANKLE CENTER BLOCK ASSY, THOR-LX	1
472-7515-DN	WASHER, RETAINING, THOR-LX	4
472-7522-DN	CAP, BASE-TORQUE, THOR-LX	4
472-7523-DN	BASE, TORQUE BOTTOM, THOR-LX	1
472-7524-DN	CYLINDER, TORQUE, THOR-LX	18
472-7527-DN	SOFT STOP ASSY, REAR	1
472-7530-DN	STOP ASSEMBLY, DORSI-PLANTAR	1
472-7533-DN	STOP ASSEMBLY, EVERSION, THOR-LX	1
472-7534-DN	STOP ASSEMBLY, INVERSION, THOR-LX	1
472-7540-DN	ANKLE BUSHING PLATE ASSY, THOR-LX	2
472-7560-DN	BRACKET, ACHILLES PULLEY, THOR-LX	1
472-7561-DN	SHAFT, ACHILLES CABLE PULLEY, THOR-LX	1
472-7562-DN	PULLEY, ACHILLES CABLE, THOR-LX	1
472-7563-DN	ANKLE BOLT & SLEEVE ASY, THOR-LX	1
472-7580	BASE, TORQUE ANKLE TOP THOR-LX	1
472-7581	CLAMP, POTENTIOMETER, THOR-LX	3
472-7582	PLATE, ANKLE BUSHING, THOR-LX	2
472-7585	POTENTIOMETER COVER, THOR-LX	2
9000508-DN	WASHER, TEFLON	2
9000509-DN	BEARING, STERLING INS.	2
9000510-DN	WASHER, #4 FLAT	2
9000873-DN	SCREW, FHCS M4 X 12MM LONG	4
9003049-DN	SCREW, BHCS M4 X 8	7
9005135-DN	CLAMP, NYLON LOOP	3
9010332-DN	SCREW, BHCS M3 X 8MM	4
9010445-DN	SCREW, BHCS M6 X 1 X 12	8
9010446-DN	SCREW, FHCS M3 X 0.5 X 16	6
9010447-DN	SCREW, SET M3 X 0.5 X 3, NYLON TIP	2
9010448-DN	SCREW, FHCS M4 X 0.7 X 20	4
9010449-DN	SCREW, FHCS M3 X 0.5 X 12	2
9010450-DN	NUT, NYLON LOCK, M3 X 0.5	2
9010559-DN	SCREW, SHCS M2 X 0.4 X 4	6
9010560-DN	SCREW, SHCS M2 X 0.4 X 6	12
472-7800-1	FOOT ASSEMBLY, LEFT T/C	1
472-7800-2	FOOT ASSEMBLY, RIGHT T/C	1
472-7744-DN	MOUNTING POST, LOWER ACHILLES	1
472-7710-DN	MOUNTING PLATE, FOOT, THOR-LX	1
7264-AM-DN	TRIAxIAL MOUNT CUBE, 7264 METRIC THDS	1
9010446-DN	SCREW, FHCS M3 X 0.5 X 16	2
9000863-DN	SCREW, SHCS M2.5 X 16MM LONG	2

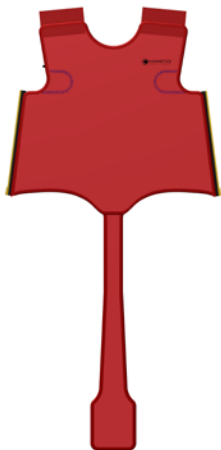
9010407-DN	SCREW, SHCS M1.4 X 0.3 X 3MM	6
5001089-FT	SCREW, FHCS M6 X 1 X 20MM LONG	3
9003042-DN	SCREW, BHCS M5 X 10	2
9010453-DN	SCREW, BHCS M6 X 16	2
9000826-DN	SCREW, FHCS M6 X 1.0 X 16MM	4
9000852-DN	SCREW, SHCS M6 X 1 X 16MM LONG	4

Instrument Mounts

ACCELEROMETER	Components				
	Head	Neck	Thorax	Pelvis	Leg
ENDEVCO 7264 / 7264C HUMANETICS IE-116 MSI-64C	472-1101 BIAXIAL, HEAD 472-1200 HEAD		AXSDM053 T1 472-4610 SPINAL 472-4203 SPINAL TRI-PACK 472-4624 UPPER ABDOMEN	472-4360 PELVIS TRI-PACK ASSY 472-3760 PELVIS & LUMBAR	7264-AM-DN TRIAXIAL MOUNT CUBE, 7264 METRIC THDS
TILT SENSOR	Head	Neck /Spine	Thorax / Spine	Pelvis	Leg
IES 1402 MSC		472-3635 LOWER NECK	472-3772 UPPER SPINE 472-3775 LOWER SPINE 472-3776 LUMBAR	472-3777 REAR THORACIC	

Clothes

Part Number	Description	Qty. Req'd Per Dummy
472-3901-A	FRONT/REAR PANEL, ASSY, JACKET SD3 SHLDR	1
472-2901	NECK SKIN ASSEMBLY	1
472-2900	NECK FOAM ASSEMBLY	1
6004278	PANTS THERMAL SIZE L NATURAL	1



472-3901-A



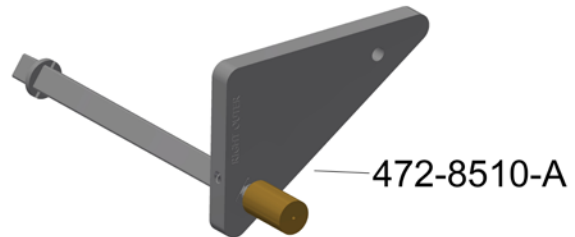
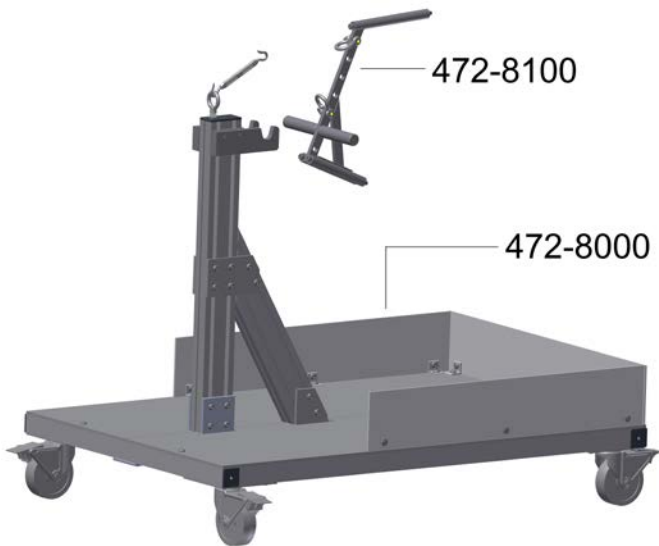
472-2901



472-2900

Misc.

Part Number	Description	Qty. Req'd Per Dummy
472-TOOL-KIT	TOOL KIT-THOR-M	1
472-0012	LOWER ABDOMEN NEUTRAL POSTURE FOAM	1
472-0011	LOWER ABDOMEN ERECT POSTURE FOAM	1
472-8100	LIFTING BRACKET ASSEMBLY, THOR	1
472-8510-A	H-POINT TOOL, THOR M	1
5000891-FT	SCREW BHCS M6 X 1 X 10	1
5001083-FT	SCREW BHCS M4 X 0.7 X 10	1
AXSDMKIT	SD3 CLAVICLE LC UPGRADE KIT	1
472-8000	STORAGE CHAIR ASSEMBLY, THOR	1
472-8700	INSTRUMENT GROUND STRAP, HEAD/NECK THOR	1
472-8701	INSTRUMENT GROUND STRAP MID STERNUM THOR	1
472-8702	INSTRUMENT GROUND STRAP THORACIC SP, THOR	1
472-8703	INSTRUMENT GROUND STRAP, LUMBAR SP, THOR	1
472-8704	INSTRUMENT GROUND STRAP, FEMUR THOR	2
472-8705	INSTRUMENT GROUND STRAP, TIBIA THOR	2
2000217	USERS MANUAL, THOR-LX	1



IR-TRACCs

Part Number	Description	Qty. Req'd Per Dummy
472-3550-R5	3D IR-TRACC ASSEMBLY, UPPER LEFT	1
472-3560-R5	3D IR-TRACC ASSEMBLY, UPPER RIGHT	1
472-3570-R5	3D IR-TRACC ASSEMBLY, LOWER RIGHT	1
472-3580-R5	3D IR-TRACC ASSEMBLY, LOWER LEFT	1
472-4730-1-R4	3D IRTRACC ASSEMBLY, LEFT ABDOMEN	1
472-4730-2-R4	3D IRTRACC ASSEMBLY, RIGHT ABDOMEN	1