



Humanetics Innovative Solutions, Inc.

Hybrid-III 95th Large Male Dummy

880995-0000-H



Brand Harmonized Parts Catalog





For information on Humanetics products, please visit our web site at www.humaneticsatd.com

or contact:

Humanetics Innovative Solutions

23300 Haggerty Road

Farmington Hills, Michigan

48335 USA

Tel: +1 248 778 2000

Fax: +1 248 778 2001

No part of this publication may be reproduced, stored in a retrieval system or transmitted in any form or by any means, electronic, photocopying, recording, mechanical or otherwise, without the express written consent of Humanetics Innovative Solutions.

Copyright © 2017 Humanetics Innovative Solutions, All rights reserved.

The information in this catalog is furnished for informational use only, and is subject to change without notice. Humanetics Innovative Solutions assumes no responsibility or liability for any errors or inaccuracies that may appear in this catalog.

Table of Contents

Head Assembly 4

Neck Assembly..... 5-6

Thorax Assembly 1 7-8

Transducer Assembly 9

Thorax Assembly 2 10

Shoulder Assembly Left..... 11-12

Shoulder Assembly Right 13-14

Arm Assembly Left..... 15

Arm Assembly Right 16

Lower Torso Assembly 17-18

Leg Assembly Left 19-20

Leg Assembly Right..... 21-22

Ball Bearing Knee Slider Assembly Left 23

Ball Bearing Knee Slider Assembly Right 24

Ankle Assembly 25

Accelerometer Mount Matrix 26

Clothes 26

Misc..... 26

Head Assembly – Harmonized



Part Number	Description	Qty. Req'd Per Dummy
880995-1100-H	HEAD ASSEMBLY, H3-95LM ATD	1
880995-105-H	HEAD SKIN, Tested/Certified	1
880995-095X-DN	SKULL, 6-axis. HIII 95th	1
78051-220-DN	SKULL CAP, MACHINED	1
78051-229-H	CAP SKIN	1
9000144-DN	SCREW, SHCS 1/4-20 x 5/8, Nylok	4
78051-383X-DN	STRUCTURAL REPLACEMENT, 6-axis Neck Transducer	1
1717	PIVOT PIN, Neck Transducer	1
78051-253-DN	WASHER, NODDING JOINT	2
9000452-DN	SCREW, SSCP 8-32 x 1/4	2
9000677-DN	WASHER - .250 ID x .375 OD x .06 THK	4
9000453-DN	SCREW, SHCS 1/4 - 28 x 3/4	4
9000538-DN	SCREW, BHCS 10-32 x 3/8	1

*The Complete Head Assembly is supplied with an accelerometer mount kit free of charge. Please specify the type required when placing order.

*Accelerometer Mount - Refer to Accelerometer Mount Matrix for Options

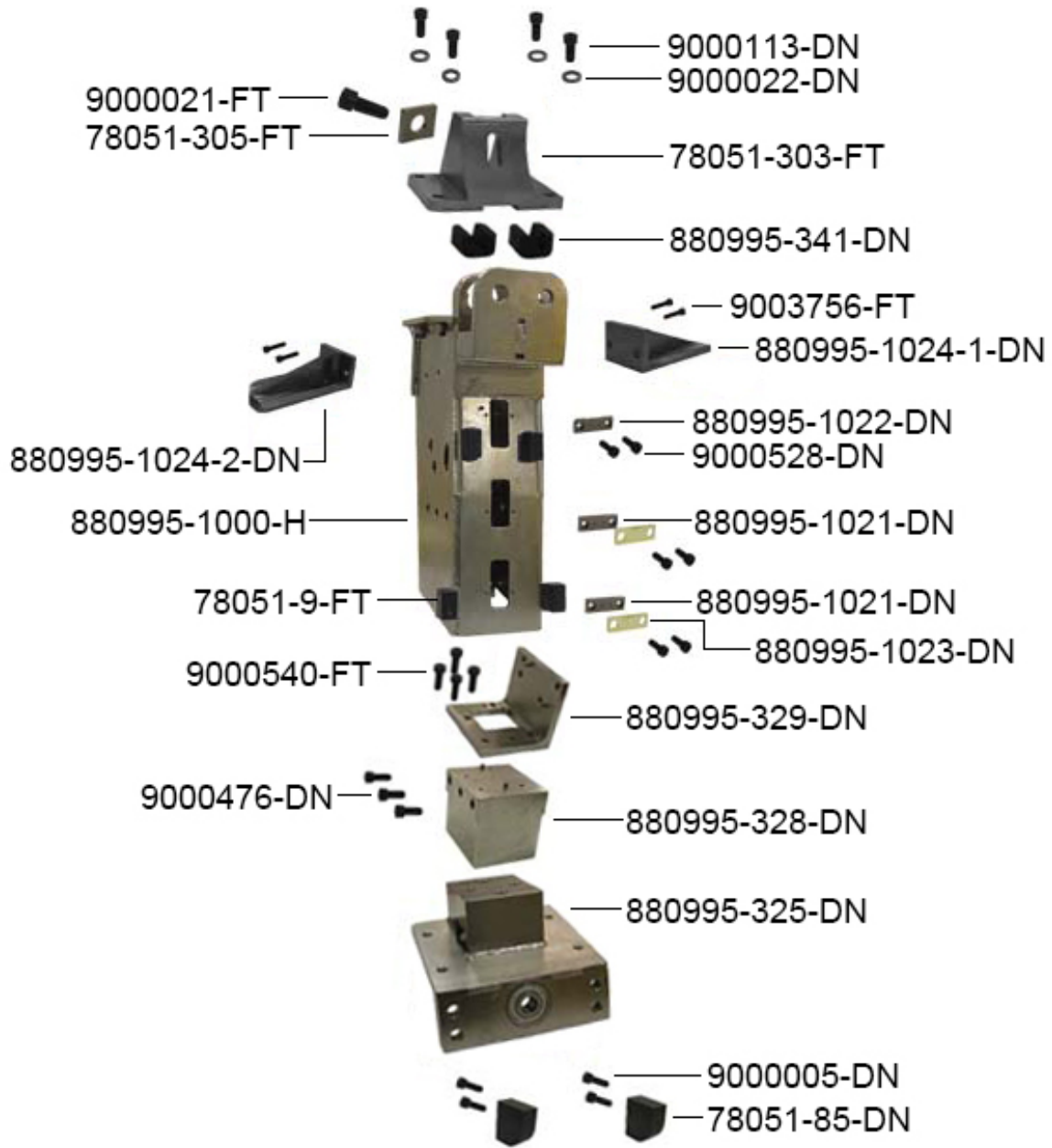
Neck Assembly – Harmonized



Part Number	Description	Qty. Req'd Per Dummy
880995-1250-H	NECK ASSEMBLY, COMPLETE	1
880995-1260-H	NECK MOLDED ASSEMBLY - T/C	1
880995-201-DN	LOWER NECK SPACER	1
880995-203-DN	UPPER NECK SPACER	1
9000018-FT	NUT, HEX JAM 1/2-20	1
78051-297-DN	NODDING JOINT ASSEMBLY	1
880995-205-DN	CABLE-NECK	1
78051-351-8505-H	NODDING BLOCK, 84 - 87, Shore A	2
9000124-FT	SCREW, FHCS 1/4-20 x 7/8, Nylok	4

180-2005	BUSHING, LOWER	1
180-2004	BUSHING, UPPER NECK	1
9003842-FT	WASHER, FLAT .515 ID x .875 OD	1
9000086-FT	SCREW, SHCS 1/4-20 x 7/8	4
9003843-FT	WASHER, FLAT 1/4 .265x.500x.062	4
 *PARTS NOT INCLUDED IN THE NECK ASSEMBLY, BUT ARE REQUIRED TO MOUNT NECK TO UPPER TORSO		
9008001-DN	Washer, Flat, Neck Bracket	4
78051-307-FT	Neck Bracket, Upper	1

Upper Torso Assembly – Harmonized-1

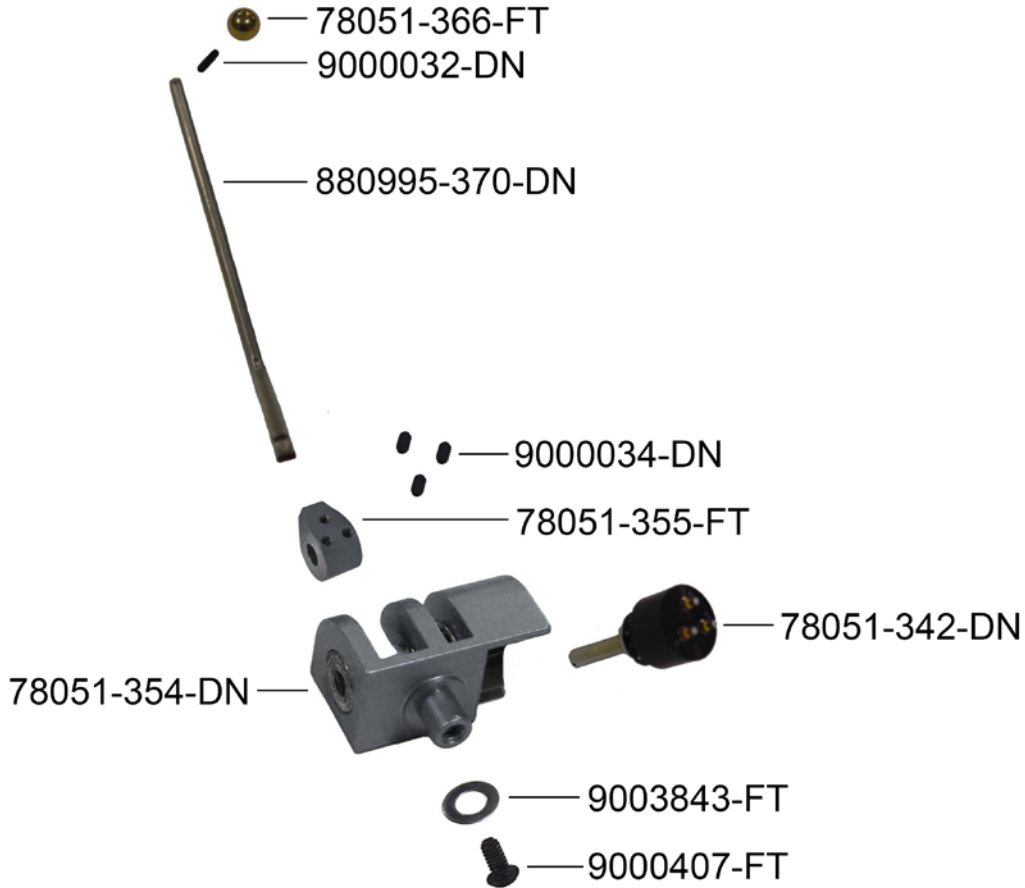


Part Number	Description	Qty. Req'd Per Dummy
880995-1300-H	Upper Torso Assembly, H3-95th	1
880995-1000-H	THORACIC SPINE ASSEMBLY	1
880995-1270-DN	UPPER NECK ADJUSTING BRACKET	1
78051-305-FT	WASHER - CLAMPING	1
78051-303-FT	BRACKET - NECK, ADJUSTING LOWER	1
880995-1023-DN	ACCELEROMETER MOUNT PAD	2
880995-1021-DN	MID/LOWER ACCEL MOUNT, SPINE BOX	2

880995-1022-DN	TOP ACCELEROMETER MOUNT, SPINE BOX	1
9000055-DN	1/2 X 1 1/4 LG. SHSS	2
78051-236-FT	WASHER - CLAVICULAR LINK	4
78051-237-FT	WASHER - NUT CLAVICULAR	2
78051-238-FT	NUT - CLAVICLE LINK PIVOT	2
880995-381-H	SHOULDER ASSEMBLY RIGHT, H3-95TH	1
880995-380-H	SHOULDER ASSEMBLY LEFT, H3-95TH	1
880995-341-DN	BUMPER - SHOULDER	2
880995-365-H	TRANSDUCER ASSEMBLY	1
880995-357-H	ADAPTOR ASSEMBLY	1
880995-325-DN	SPINE MOUNTING ASSEMBLY	1
78051-85-DN	MOLDED STOP ASSEMBLY-TORSO FLEXION	2
880995-328-DN	STRUCTURAL REPLACEMENT THORACIC SPINE LOAD CELL	1
880995-329-DN	MOUNTING BRACKET-CHEST ACCEL. MOUNT	1
9000005-DN	1/4-20 X 5/8 LG. SHCS NYLOK	4
9000142-DN	5/16-18 X 5/8 LG. SHCS	4
9000540-FT	#8-32 X 3/8 LG. SHCS	4
880995-1024-2-DN	UPPER RIB STOP ASSM. RIGHT	1
880995-1024-1-DN	UPPER RIB STOP ASSM. LEFT	1
9000113-DN	5/16-24 X 7/8 LG. SHCS	4
9000022-DN	5/16 FLAT WASHER PLAIN A SS	4
9000021-FT	3/8-16 X 1 LG. SHCS NYLOK	1
9001193-DN	#10-32 X 3/4 LG. BHCS	12
9000025-DN	#10-32 X 5/8 LG. BHCS	12
9000528-DN	#4-40 X 1/4 LG. SHCS	6
9000476-DN	5/16-18 X 7/8 LG. SHCS	6
9003756-FT	1/4-20 X 1/2 LG. SHCS NYLOK	4

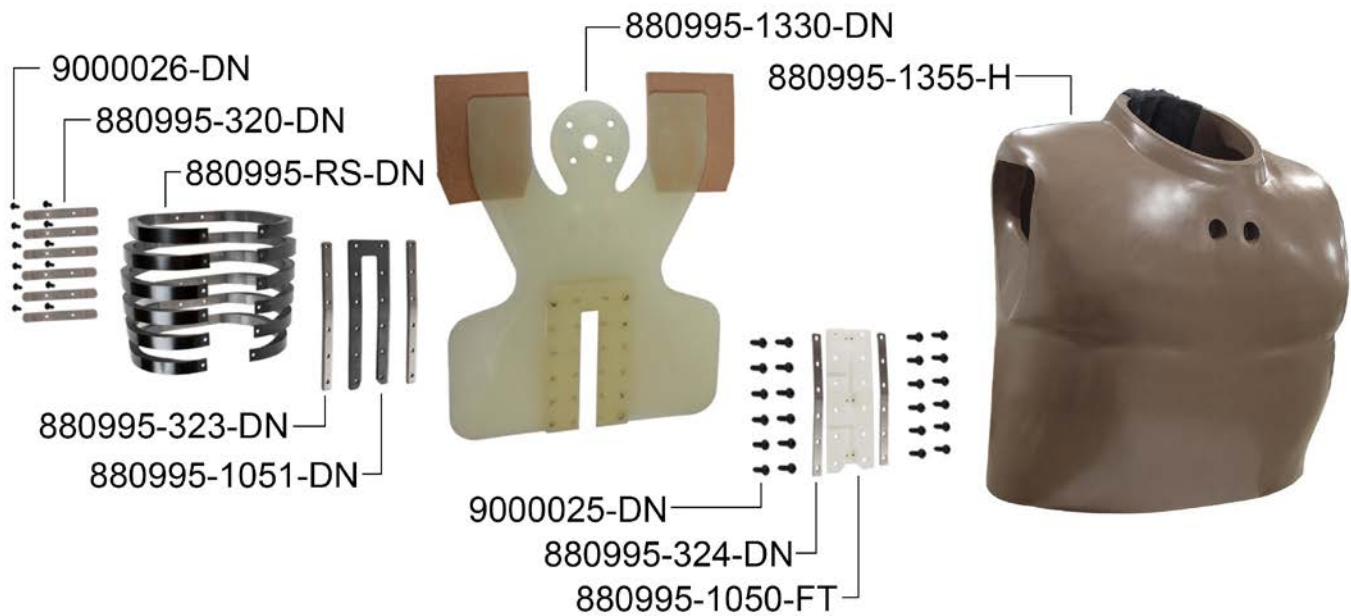
*The Complete Upper Torso Assembly is supplied with an accelerometer mount kit free of charge.
Please specify the type required when placing order.

Transducer Assembly – Harmonized



Part Number	Description	Qty. Req'd Per Dummy
880995-1300-H	Upper Torso Assembly, H3-95th (Con't)	1
880995-365-H	Transducer Assembly	1
9000407-FT	Screw, BHCS 1/4-20 x 1/2	1
9003843-FT	Washer-Flat 1/4 .265 x .500 x .062	1
880995-354-H	Transducer Arm Assembly	1
880995-370-DN	Transducer Arm	1
78051-366-FT	Transducer Arm Ball	1
9000032-DN	Screw, SSCP 4-40 x 3/8	1
78051-355-FT	Transducer Arm Connector	1
9000034-DN	Screw, SSCP 4-40 x 3/16	3
78051-354-DN	Potentiometer Bracket	1
9003881-FT	Pin, Roll 1/6 x 3/16 SS	1
9001196-DN	Bearing	2
78051-342-FT	Potentiometer, (Rotary Chest Deflection)	1

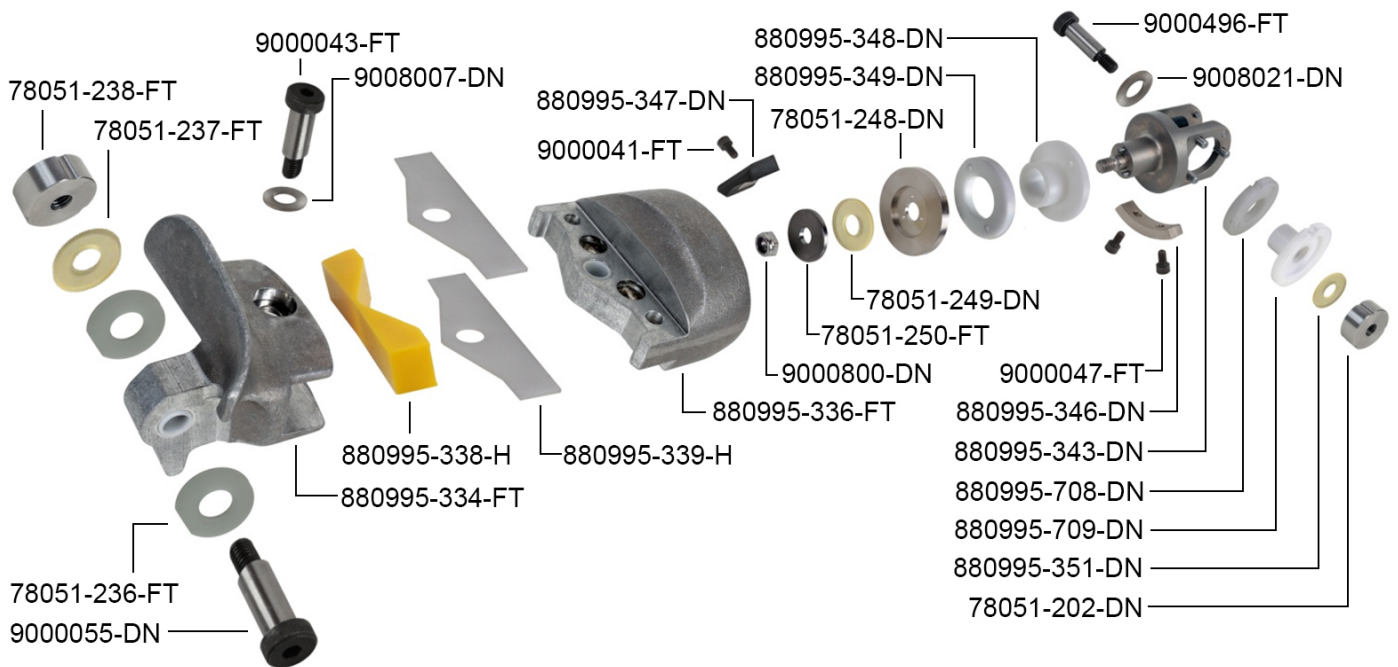
Upper Torso Assembly – Harmonized -2



Part Number	Description	Qty. Req'd Per Dummy
880995-1300-H	Upper Torso Assembly, H3-95th (Con't)	1
880995-320-DN	RIB SUPPORT	6
9000026-DN	#10-32 X 1/2 LG. BHCS	12
880995-RS-DN	RIB SET COMPLETE	1
880995-361-01-DN	Individual Rib, Rib # 1, untested	1
880995-361-02-DN	Individual Rib, Rib # 2, untested	1
880995-361-03-DN	Individual Rib, Rib # 3, untested	1
880995-361-04-DN	Individual Rib, Rib # 4, untested	1
880995-361-05-DN	Individual Rib, Rib # 5, untested	1
880995-361-06-DN	Individual Rib, Rib # 6, untested	1
880995-323-DN	STRIP, FRONT END -THREADED	2
880995-1051-DN	STERNUM	1
880995-1330-DN	BIB ASS'Y - STERNUM TO RIB	1
9000025-DN	SCREW, BHCS 10-32 x 5/8	24
880995-324-DN	PLATE, FRONT END STIFFENER	1
880995-1050-FT	SLIDER, CHEST DEFLECTION TRANSDUCER	1
880995-1355-H	CHEST FLESH ASSEMBLY	1

*The Complete Upper Torso Assembly is supplied with an accelerometer mount kit free of charge. Please specify the type required when placing order.

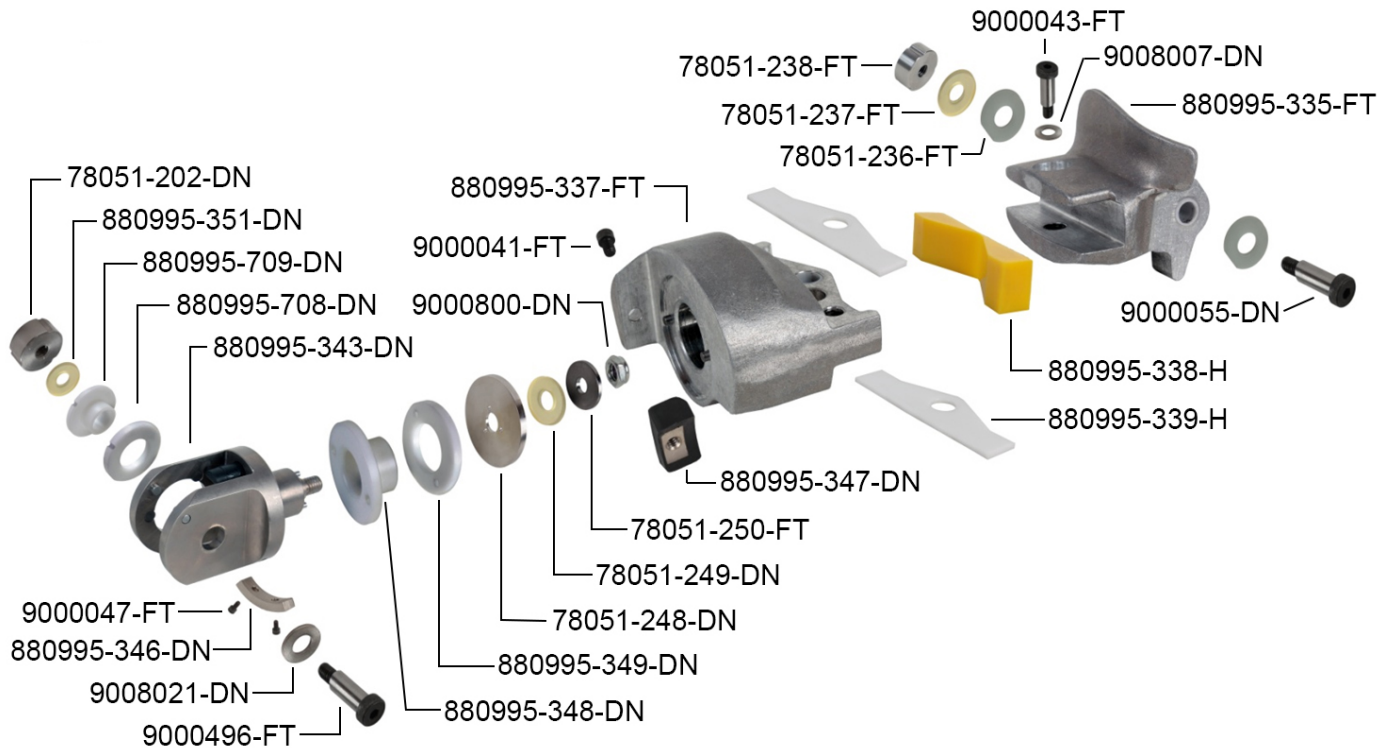
Shoulder Assembly Left – Harmonized



Part Number	Description	Qty. Req'd Per Dummy
880995-1300-H	Upper Torso Assembly, H3-95th (Con't)	1
78051-236-FT	WASHER - CLAVICULAR LINK	2
78051-237-FT	WASHER - NUT CLAVICULAR	1
78051-238-FT	NUT - CLAVICLE LINK PIVOT	1
9000055-DN	1/2 X 1 1/4 LG. SHSS	1
880995-380-H	SHOULDER ASSEMBLY LEFT, H3-95TH	1
9000041-FT	1/4-20 X 3/8 LG. SHCS NYLOK	1
9000047-FT	#10-24 X 3/8 LG. SHCS NYLOK	2
9000800-DN	3/8-16 HEX LOCK JAM NUT ZINC	1
880995-338-H	SPRING CLAVICLE STOP	1
880995-339-DN	SPACER, CLAVICLE	2
9000496-FT	1/2 X 1 3/8 LG. SHSS	1
9000043-FT	1/2 X 1" LG. SHSS	1
9008007-DN	WASHER, FLAT .515 ID X .875 OD	1
880995-708-DN	BUSHING, UPPER ARM & ELBOW PIVOT	1
880995-709-DN	BUSHING, UPPER ARM & ELBOW PIVOT	1
9008021-DN	WASHER, FLAT .531 ID X 1.062 OD	1
78051-202-DN	NUT, ELBOW PIVOT	1
880995-351-DN	WASHER, ELBOW JOINT SPRING	1
78051-250-FT	WASHER - SHOULDER YOKE RETAINING	1
78051-249-DN	WASHER-SHOULDER JOINT SPRING	1

78051-248-FT	WASHER - SHOULDER YOKE	1
880995-349-DN	BUSHING, SHOULDER YOKE PIVOT	1
880995-348-DN	BUSHING, SHOULDER YOKE PIVOT	1
880995-347-DN	MOLDED STOP ASSY. SHOULDER PIVOT	1
880995-346-DN	STOP, STEEL SHOULDER PIVOT	1
880995-334-FT	CLAVICULAR LINK, LEFT	1
880995-343-DN	SHOULDER YOKE ASSEMBLY	1
880995-336-FT	CLAVICLE, MACHINED, LEFT	1

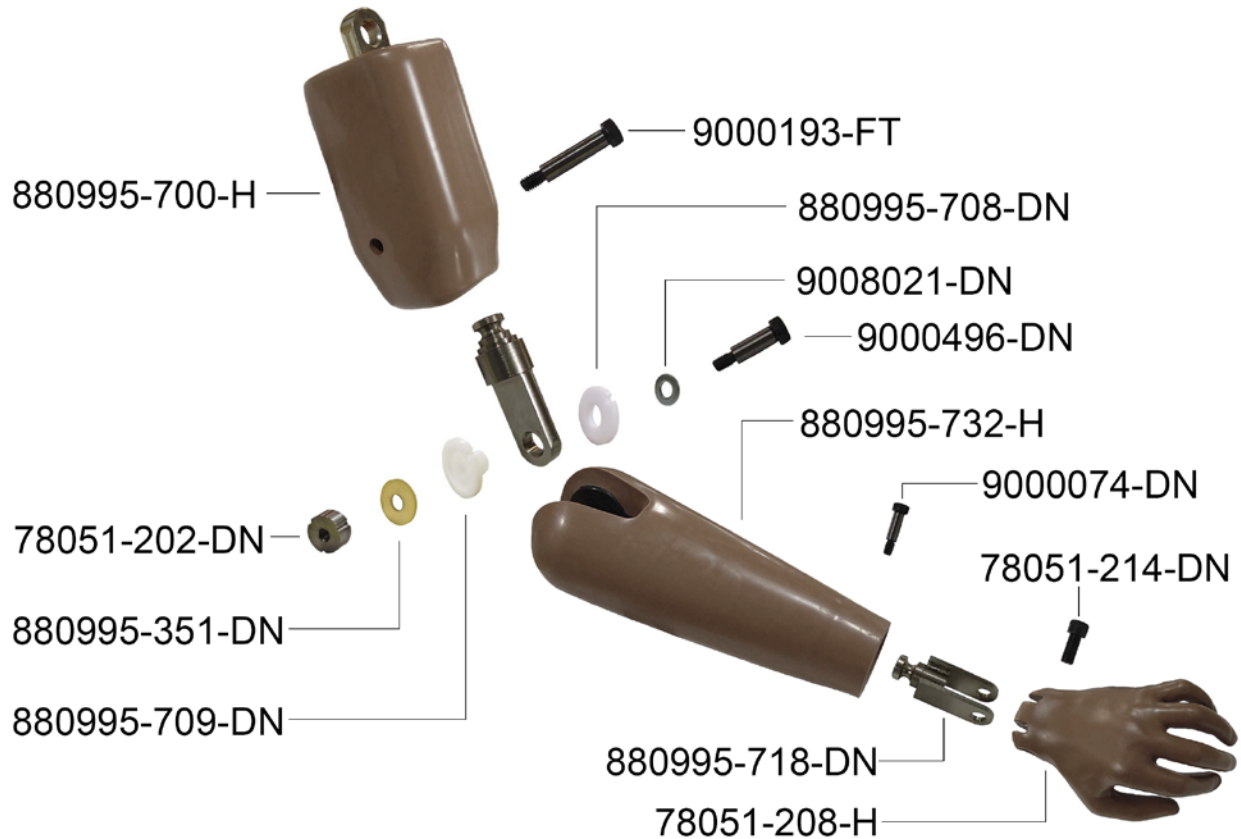
Shoulder Assembly Right – Harmonized



Part Number	Description	Qty. Req'd Per Dummy
880995-1300-H	Upper Torso Assembly, H3-95th (Con't)	1
78051-236-FT	WASHER - CLAVICULAR LINK	2
78051-237-FT	WASHER - NUT CLAVICULAR	1
78051-238-FT	NUT - CLAVICLE LINK PIVOT	1
9000055-DN	1/2 X 1 1/4 LG. SHSS	1
880995-381-H	SHOULDER ASSEMBLY RIGHT, H3-95TH	1
9000047-FT	#10-24 X 3/8 LG. SHCS NYLOK	2
880995-339-DN	SPACER, CLAVICLE	2
880995-338-H	SPRING CLAVICLE STOP	1
9000496-FT	1/2 X 1 3/8 LG. SHSS	1
9000043-FT	1/2 X 1" LG. SHSS	1
9008007-DN	WASHER, FLAT .515 ID X .875 OD	1
880995-708-DN	BUSHING, UPPER ARM & ELBOW PIVOT	1
880995-709-DN	BUSHING, UPPER ARM & ELBOW PIVOT	1
9008021-DN	WASHER, FLAT .531 ID X 1.062 OD	1
78051-202-DN	NUT, ELBOW PIVOT	1
880995-351-DN	WASHER, ELBOW JOINT SPRING	1
9000800-DN	3/8-16 HEX LOCK JAM NUT ZINC	1
78051-250-FT	WASHER - SHOULDER YOKE RETAINING	1

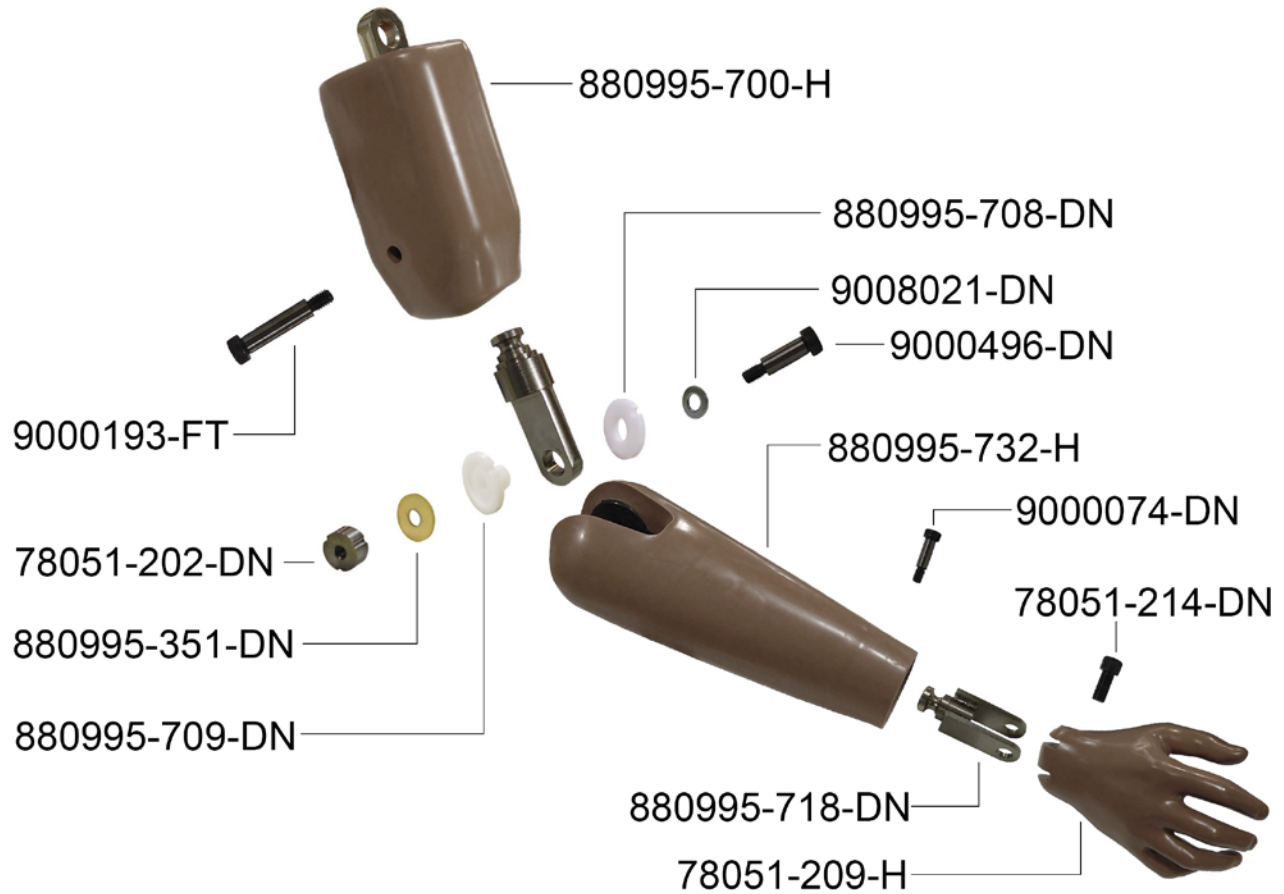
78051-249-DN	WASHER-SHOULDER JOINT SPRING	1
78051-248-FT	WASHER - SHOULDER YOKE	1
880995-349-DN	BUSHING, SHOULDER YOKE PIVOT	1
880995-348-DN	BUSHING, SHOULDER YOKE PIVOT	1
880995-347-DN	MOLDED STOP ASSY. SHOULDER PIVOT	1
9000041-FT	1/4-20 X 3/8 LG. SHCS NYLOK	1
880995-346-DN	STOP, STEEL SHOULDER PIVOT	1
880995-335-FT	CLAVICULAR LINK, RIGHT	1
880995-343-DN	SHOULDER YOKE ASSEMBLY	1
880995-337-FT	CLAVICLE, MACHINED, RIGHT	1

Arm Assembly Left – Harmonized



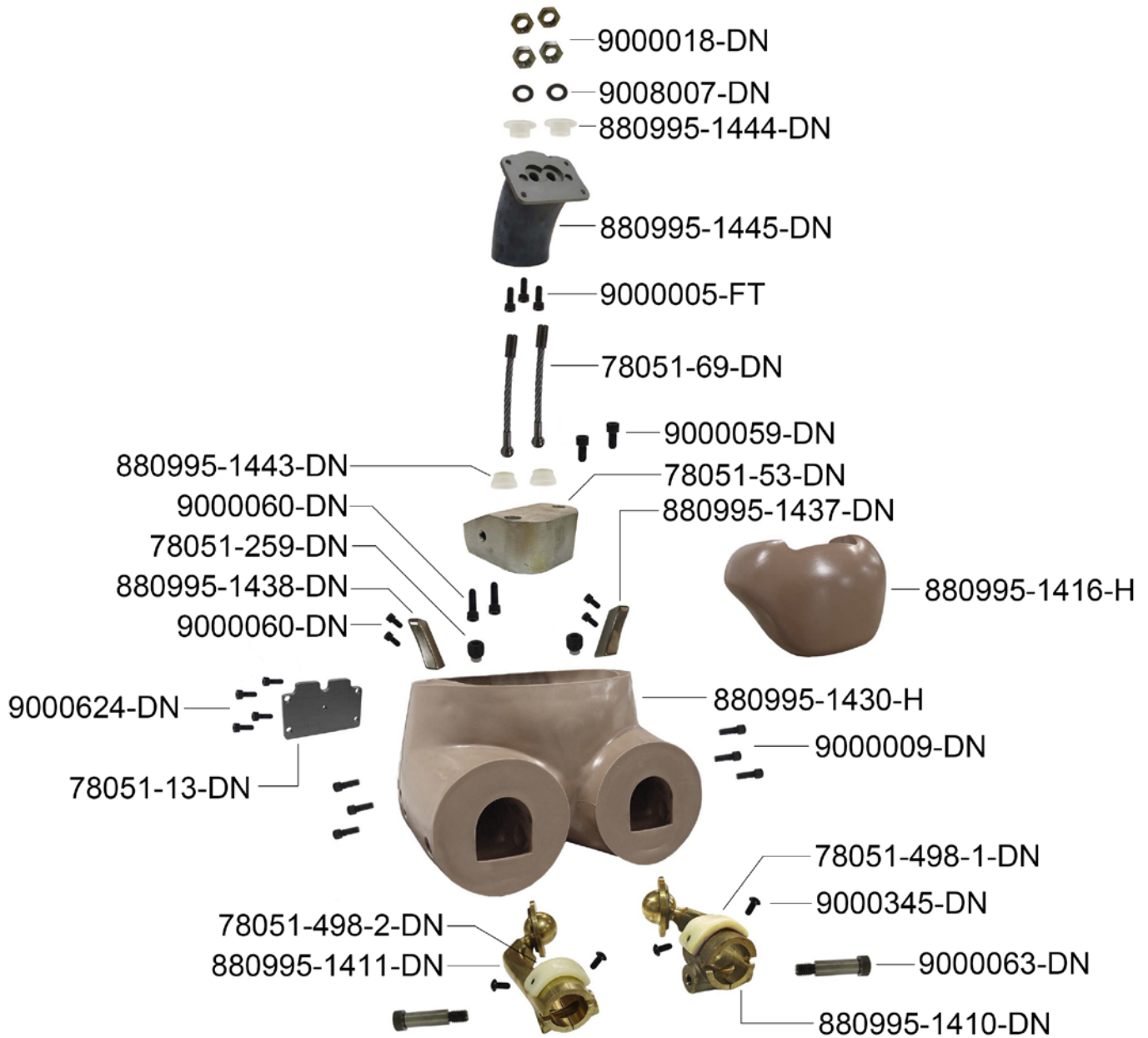
Part Number	Description	Qty. Req'd Per Dummy
880995-730-H	ARM ASSEMBLY LEFT	1
78051-214-DN	SCREW, WRIST PIVOT	1
78051-208-H	HAND, MOLDED LEFT, HIII 50TH	1
9000074-DN	3/8 X 1" LG. SHSS	1
880995-718-DN	WRIST ROTATION STRUCTURAL ASM	1
9000496-DN	1/2 X 1 3/8 LG. SHSS	1
9008021-DN	WASHER, FLAT .531 ID X 1.062 OD	1
78051-202-DN	NUT, ELBOW PIVOT	1
880995-351-DN	WASHER, ELBOW JOINT SPRING	1
880995-709-DN	BUSHING, UPPER ARM & ELBOW PIVOT	1
880995-708-DN	BUSHING, UPPER ARM & ELBOW PIVOT	1
880995-732-H	LOWER ARM MOLDED ASSEMBLY	1
9000193-FT	3/8 X 1 3/4 LG. SHSS	1
880995-705-DN	UPPER ARM, LOWER PART	1
880995-700-H	UPPER ARM MOLDED ASSEMBLY	1

Arm Assembly Right – Harmonized



Part Number	Description	Qty. Req'd Per Dummy
880995-731-H	ARM ASSEMBLY RIGHT	1
78051-214-DN	SCREW, WRIST PIVOT	1
78051-209-H	HAND, MOLDED RIGHT, HIII 50TH	1
9000074-DN	3/8 X 1" LG. SHSS	1
880995-718-DN	WRIST ROTATION STRUCTURAL ASM	1
9000496-DN	1/2 X 1 3/8 LG. SHSS	1
9008021-DN	WASHER, FLAT .531 ID X 1.062 OD	1
78051-202-DN	NUT, ELBOW PIVOT	1
880995-351-DN	WASHER, ELBOW JOINT SPRING	1
880995-709-DN	BUSHING, UPPER ARM & ELBOW PIVOT	1
880995-708-DN	BUSHING, UPPER ARM & ELBOW PIVOT	1
880995-732-H	LOWER ARM MOLDED ASSEMBLY	1
9000193-FT	3/8 X 1 3/4 LG. SHSS	1
880995-705-DN	UPPER ARM, LOWER PART	1
880995-700-H	UPPER ARM MOLDED ASSEMBLY	1

Lower Torso Assembly – Harmonized



Part Number	Description	Qty. Req'd Per Dummy
880995-1450-H	LOWER TORSO	1
9000059-DN	3/8-16 X 3/4 LG. SHCS NYLOK	2
880995-1416-H	ABDOMINAL INSERT, TESTED	1
9000005-FT	1/4-20 X 5/8 LG. SHCS NYLOK	3
880995-1440-DN	LUMBAR SPINE ASSEMBLY	1
880995-1445-DN	LUMBAR SPINE ASSEMBLY, MOLDED	1

78051-69-DN	CABLE ASSEMBLY, LUMBAR SPINE	2
880995-1443-DN	LOWER LUMBAR BUSHING	2
880995-1444-DN	UPPER LUMBAR BUSHING	2
9000018-DN	NUT HEX JAM 1/2-20	4
9008007-DN	WASHER, FLAT .515 ID X .875 OD	2
9000060-DN	3/8-16 X 1 1/4 LG. SHCS NYLOK	2
78051-53-DN	LUMBAR SPINE BRACKET, MOLDED	1
9000063-DN	5/8 X 1 3/4 LG. SHSS	2
9000009-DN	1/4-20 X 3/4 LG. SHCS NYLOK	6
880995-1430-H	PELVIS, MOLDED, HIII 95TH	1
880995-1437-DN	LOAD CELL REPLACEMENT, LEFT	1
880995-1438-DN	LOAD CELL REPLACEMENT, RIGHT	1
9000348-DN	SCREW, SHCS 5/16-24 X 1 1/2	4
78051-259-DN	SET SCREW ASSEMBLY	2
9000624-DN	#10-24 X 1/2 LG. SHCS	4
78051-13-DN	COVER, PELVIS INSTRUMENTATION CAVITY	1
880995-1410-DN	FEMUR ASSEMBLY, LEFT	1
880995-1412-DN	FEMUR, LEFT	1
78051-498-1-DN	FEMUR BUMPER, LEFT	1
9000345-DN	#8-32 X 3/8 LG. BHCS	2
880995-1411-DN	FEMUR ASSEMBLY, RIGHT	1
880995-1413-DN	FEMUR, RIGHT	1
78051-498-2-DN	FEMUR BUMPER, RIGHT	1
9000345-DN	#8-32 X 3/8 LG. BHCS	2
880995-1430-H	PELVIC MOLDED ASSEMBLY	1

*The Complete Lower Torso and Complete Pelvis Assembly is supplied with an accelerometer mount kit free of charge. Please specify the type required when placing order.

Ball Bearing Knee Slider Leg Assembly Left – Harmonized



Part Number	Description	Qty. Req'd Per Dummy
880995-1513-H	COMPLETE LEG ASSEMBLY, LEFT	1
880995-1500-H	UPPER LEG ASSEMBLY	1
9000066-FT	3/8-16 X 2 LG. SHCS NYLOK	1
78051-319-DN	LOAD CELL SIMULATOR, FEMUR	1
880995-1527-H	UPPER LEG FLESH	1
880995-502-FT	UPPER LEG WELDMENT	1
880995-1550-H	LOWER LEG ASSEMBLY	1

880995-1614-H	LOWER LEG FLESH WITH ZIPPER	1
880995-603-H	LOWER LEG BONE ASSEMBLY	1
880995-605-FT	KNEE CLEVIS ASSY WELDMENT	1
880995-622-H	LOWER LEG, WELDMENT	1
9000115-DN	SCREW, SHCS 1/4-28 X 1/2	4
880995-1515-H	SLIDING KNEE ASSEMBLY, LEFT	1
880995-508-H	KNEE FLESH	1
880995-511-FT	KNEE INSERT	1
880995-1630-1-DN	LEFT KNEE ASSEMBLY, BALL KNEE SLIDER	1
B-1889-DN	ANKLE ASSEMBLY	1
880995-1600-H	45° FOOT MOLDED, LEFT	1
A-1887-DN	ANKLE TO LEG ATTACHMENT BOLT	1
A-1886-DN	FOOT ATTACHMENT BOLT	1
9000313-FT	1/4-28 X 3/8 LG. FHCS	8
9000361-FT	3/8-16 X 2 1/4 LG. SHCS	1

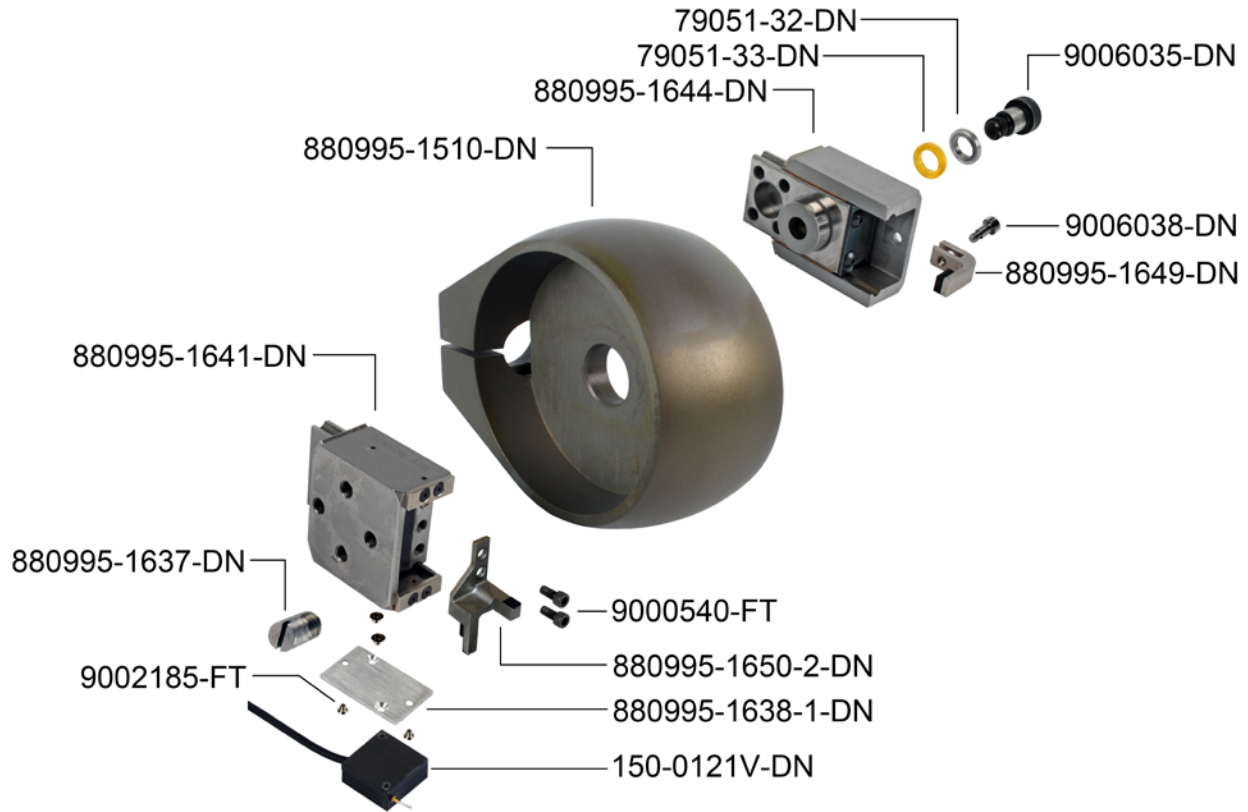
Ball Bearing Knee Slider Leg Assembly Right – Harmonized



Part Number	Description	Qty. Req'd Per Dummy
880995-1514-H	COMPLETE LEG ASSEMBLY, RIGHT	1
880995-1500-H	UPPER LEG ASSEMBLY	1
9000066-FT	3/8-16 X 2 LG. SHCS NYLOK	1
78051-319-DN	LOAD CELL SIMULATOR, FEMUR	1
880995-1527-H	UPPER LEG FLESH	1
880995-502-FT	UPPER LEG WELDMENT	1
880995-1550-H	LOWER LEG ASSEMBLY	1

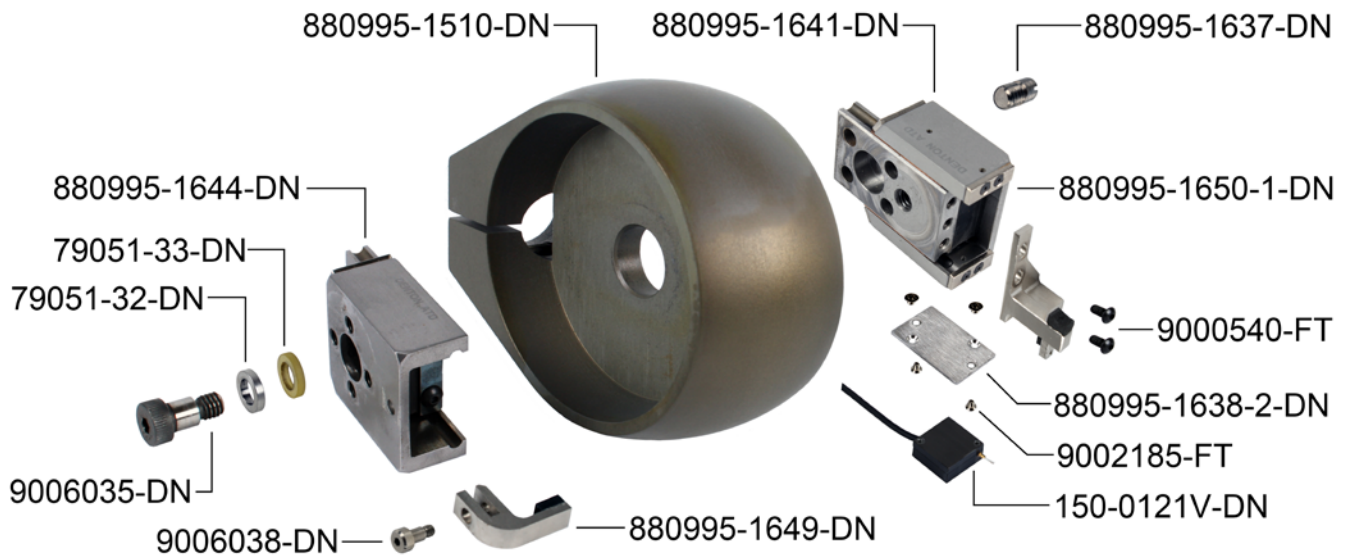
880995-1614-H	LOWER LEG FLESH WITH ZIPPER	1
880995-603-H	LOWER LEG BONE ASSEMBLY	1
880995-605-FT	KNEE CLEVIS ASSY WELDMENT	1
880995-622-H	LOWER LEG, WELDMENT	1
9000115-DN	SCREW, SHCS 1/4-28 X 1/2	4
880995-1516-H	SLIDING KNEE ASSEMBLY, RIGHT	1
880995-508-H	KNEE FLESH	1
880995-511-FT	KNEE INSERT	1
880995-1630-2-DN	RIGHT KNEE ASSEMBLY, BALL KNEE SLIDER	1
B-1889-DN	ANKLE ASSEMBLY	1
880995-1601-H	45° FOOT MOLDED, RIGHT	1
A-1887-DN	ANKLE TO LEG ATTACHMENT BOLT	1
A-1886-DN	FOOT ATTACHMENT BOLT	1
9000313-FT	1/4-28 X 3/8 LG. FHCS	8
9000361-FT	3/8-16 X 2 1/4 LG. SHCS	1

Ball Bearing Knee Slider Assembly Left – Harmonized



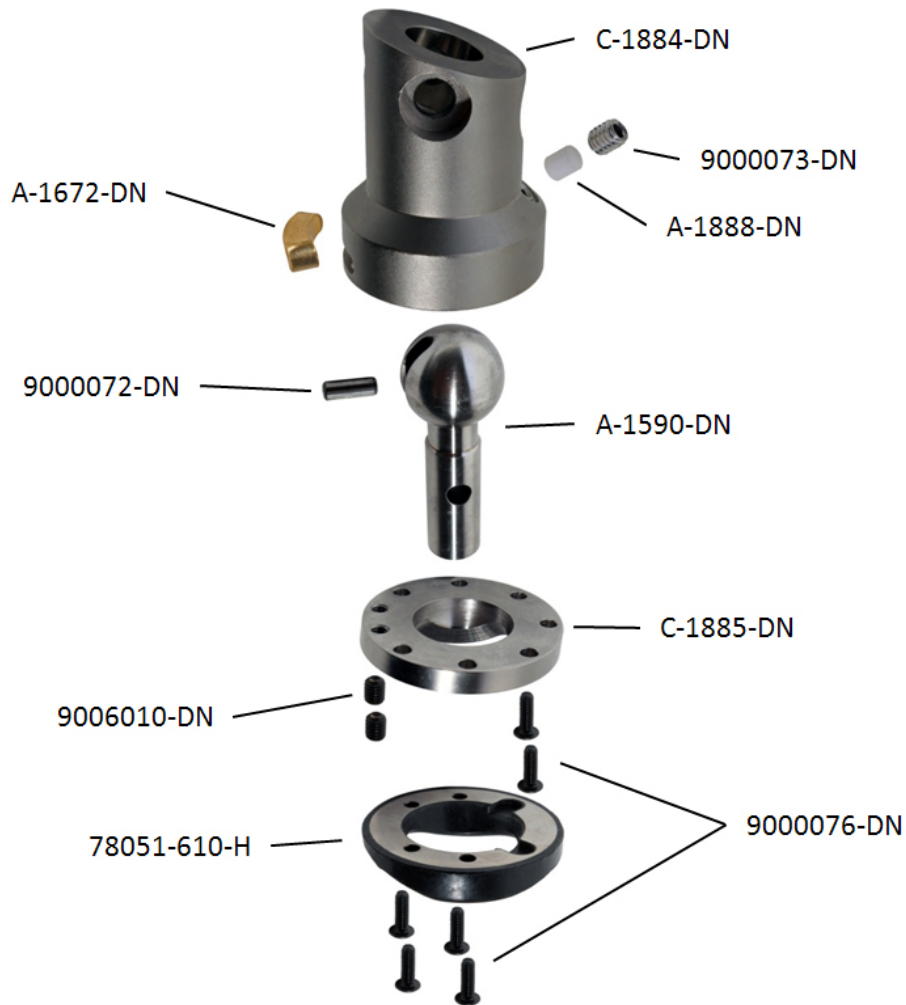
Part Number	Description	Qty. Req'd Per Dummy
880995-1513-H	COMPLETE LEG ASSEMBLY, LEFT (Con't)	1
880995-1630-1-DN	LEFT KNEE ASSEMBLY, BALL KNEE SLIDER	1
79051-33-DN	WASHER, COMPRESSION	1
79051-32-DN	WASHER, SLIDING KNEE	1
9006035-DN	3/8 X 1/2 LG. SHSS	1
150-0121V-DN	POTENTIOMETER, STRING, MINI, UNIVERSAL	1
880995-1510-DN	MACHINED KNEE CAP ASSEMBLY	1
880995-1637-DN	KNEE STOP PIN	1
880995-1644-DN	OUTBOARD SLIDER	1
880995-1649-DN	ASSEMBLY, TRAVEL STOP, BALL SLIDER	1
9006038-DN	SCREW, SHSS 3/16 X 1/4	1
880995-1641-DN	INBOARD SLIDER	1
880995-1638-1-DN	MOUNTING PLATE, LEFT, BALL SLIDER POT	1
880995-1650-2-DN	STRING HOLDER ASSY, LEFT, BALL SLIDER	1
9002185-FT	SCREW FHPD 2-56 X 1/8	4
9000540-FT	SCREW SHCS 8-32 X 3/8	2

Ball Bearing Knee Slider Assembly Right – Harmonized



Part Number	Description	Qty. Req'd Per Dummy
880995-1514-H	COMPLETE LEG ASSEMBLY, RIGHT (Con't)	1
880995-1630-2-DN	RIGHT KNEE ASSEMBLY, BALL KNEE SLIDER	1
79051-33-DN	WASHER, COMPRESSION	1
79051-32-DN	WASHER, SLIDING KNEE	1
9006035-DN	3/8 X 1/2 LG. SHSS	1
150-0121V-DN	POTENTIOMETER, STRING, MINI, UNIVERSAL	1
880995-1510-DN	MACHINED KNEE CAP ASSEMBLY	1
880995-1637-DN	KNEE STOP PIN	1
880995-1644-DN	OUTBOARD SLIDER	1
880995-1649-DN	ASSEMBLY, TRAVEL STOP, BALL SLIDER	1
9006038-DN	SCREW, SHSS 3/16 X 1/4	1
880995-1641-DN	INBOARD SLIDER	1
880995-1638-2-DN	MOUNTING PLATE, LEFT, BALL SLIDER POT	1
880995-1650-1-DN	STRING HOLDER ASSY, LEFT, BALL SLIDER	1
9002185-FT	SCREW FHPD 2-56 X 1/8	4
9000540-FT	SCREW SHCS 8-32 X 3/8	2

Ankle Assembly – Harmonized



Part Number	Description	Qty. Req'd Per Dummy
B-1889-DN	Ankle Rotation Assembly	1
C-1884-DN	Ankle, Upper Shell	1
C-1885-DN	Ankle, Lower Shell	1
A-1590-DN	Ankle Shaft	1
78051-610-H	Ankle Bumper (Rubber)	1
9000072-DN	Pin, Dowel 3/16 x 1/2	1
A-1672-DN	Stop Pin Retainer	1
A-1888-DN	Ankle Friction Pad	1
9000073-DN	Screw, SSCP 5/16-18 x 3/8	1
9006010-DN	Screw, SSCP 10-32 x 1/4	2
9000076-DN	Screw, BHCS 8-32 x 1/2	6

Accelerometer Mounts

Accelerometer Type	Complete Dummy	Components		
		Head	Chest	Pelvis
Endevco 7264A-2000	880995-7264B-20006-DN	880995-1721-DN	78051-156C-ASSY-DN	78051-54C-ASSY-DN
7264B-2000	880995-7264B-20006-DN	880995-1721-DN	78051-156C-ASSY-DN	78051-54C-ASSY-DN
Endevco 7264-2000	880995-7264-20006-DN	880995-1711-DN	78051-156A-ASSY	78051-54A-ASSY
7264C-2000	880995-7264C-20006-DN	880995-1711-DN	78051-156A-ASSY	78051-54A-ASSY
Endevco 7264D-2000	880995-7264C-20006-DN	880995-1711-DN	78051-156A-ASSY	78051-54A-ASSY
Endevco 7231C-2000	880995-7231C-7503-DN	78051-222-ASSY-DN	79051-156-ASSY-DN	78051-54-ASSY-DN
7231-750	880995-7231C-7506-DN	880995-222-ASSY	79051-156-ASSY-DN	78051-54-ASSY-DN
Endevco 7267A	880995-7267A-15006-DN	880995-7267A-DN	78051-156B-ASSY-DN	78051-54B-ASSY-DN
Kyowa AS-HA 5mm	880995-Kyowa-AS-HA5m-DN			
Kyowa ASM-200FA6	880995-KYOWA-200FA6-DN			

Clothes

Part Number	Description	Qty. Req'd Per Dummy
880995-010-DN	SHIRT, 95TH PERCENTILE	1
6001921	SHIRT SHORT SLEEVE WHITE XX-LARGE	
880995-011-DN	PANTS, 95TH PERCENTILE	1
6000156	SHOES MENS DRESS OXFORD BLACK 11XW	1

Misc.

Part Number	Description	Qty. Req'd Per Dummy
880995-9900-FT	USER MANUAL, H3-95TH DUMMY	1
DS-200-52D	SKIN PATCH MATERIAL, EURO BROWN	1
8004215	LIFT RING 3/8 X 3ID X 3 3/4	1