

LTH Series

Compression Sensor Family Manual

Table of Contents

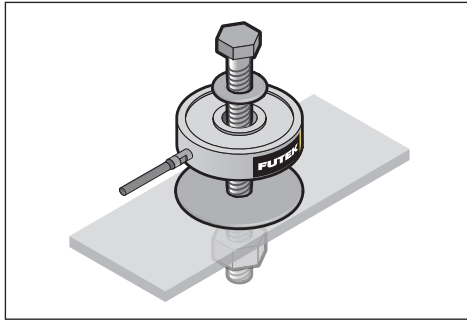
Key Features	3	Sensor DB-9 Assembly	8
Mechanical Installation	4	Shield Usage and Connections	9
Mounting and Installation	5	Calibration	9
Further Mounting Suggestions	5	Troubleshooting	10
Cable Care and Routing	6	Further Support Resources	12
Electrical Installation	7		



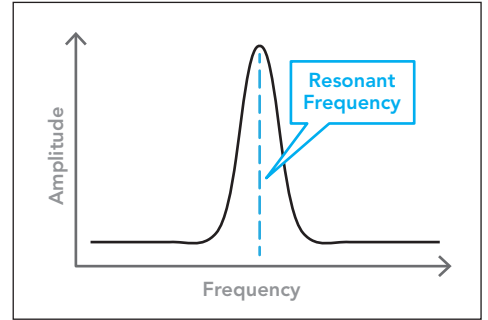
Key Features



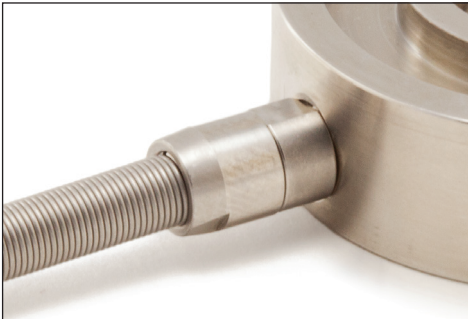
Large selection of different capacities ranging from 50lbs to 50,000 lbs and inner diameters.



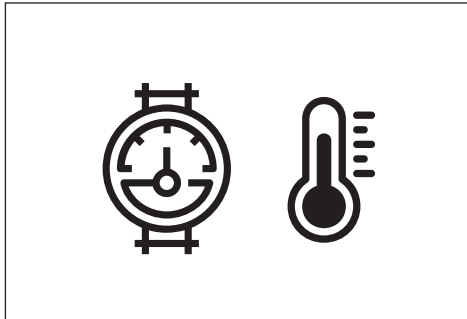
Characteristic center through hole to allow items such as bolts to pass through.



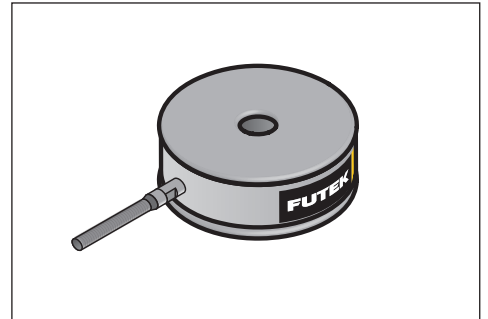
High Natural frequency resulting fast response time.



Robust strain relief



Higher IP rating available upon request. High temperature rating, and Vacuum compatible.



Compatible in load washer applications.

Mechanical Installation

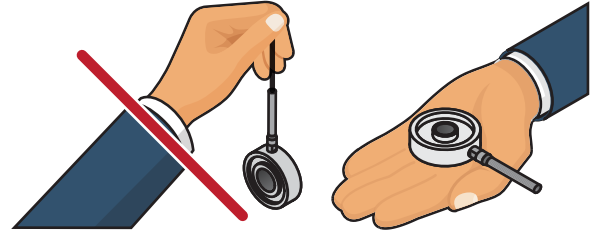
The following items should be observed to avoid damage to the LTH sensor during installation and usage.

- Avoid conditions that exceed the sensors IP rating.
- Store in a dry area without fixtures.

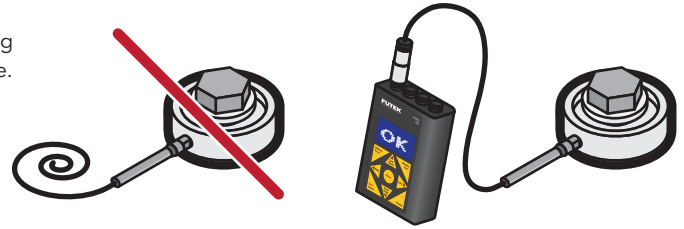
MAXIMUM MOMENTS AND OFF-AXIS LOADING

- Extraneous load information can be used to assist in determining if the sensor can withstand any unavoidable off-axis loads and moments. Extraneous load information can be found at: <http://www.futek.com/extraneous-load-factor>
- An extraneous how-to guide can be found at: https://media.futek.com/content/futek/files/pdf/Extraneous_Load_Factors/How_To_Calculate_Extraneous_Loads.pdf

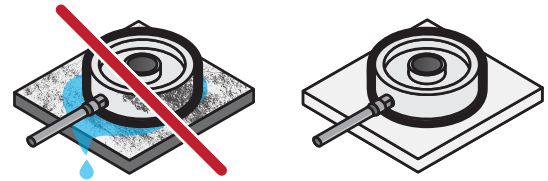
1. Do not pull on or carry sensor by cable.



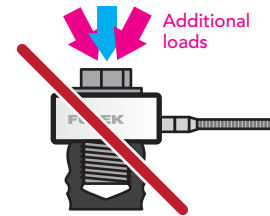
2. Monitor sensor output for effects on zero output during installation to avoid damage.



3. Install in a dry, clean environment.



4. Avoid further loads onto sensor and bolts when bolt threads are already engaged.



Mounting and Installation

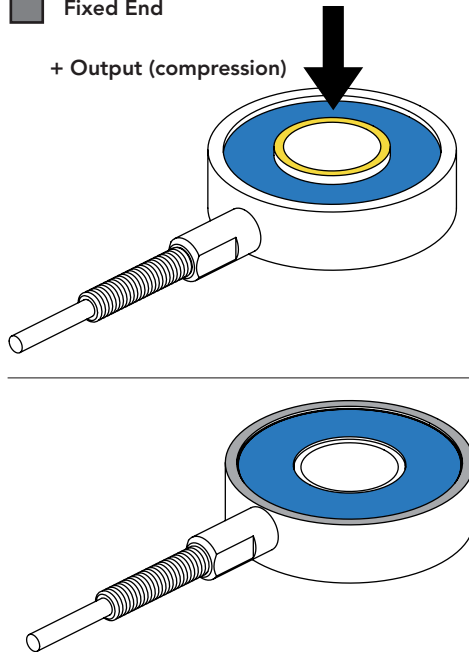
Below is information for proper mounting and installation. Refer to the sensor spec sheet for thread information and proper load cell orientation to maximize performance and limit cable interference.

- Measurements are called out on the sensor spec sheet and have the following tolerances based on the number of decimal points present.

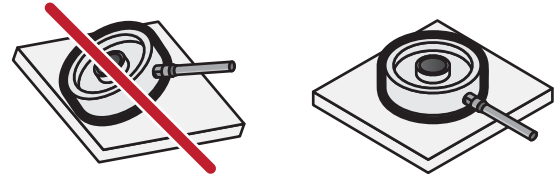
DECIMAL FORMAT	TOLERANCE
0.x	±0.1"
0.xx	±0.01"
0.xxx	±0.005"
0.xxxx	±0.001"

- Non-loading surface, do not contact
- Active End
- Fixed End

+ Output (compression)



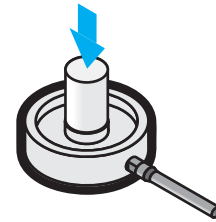
1. Support surfaces must be flat and inline



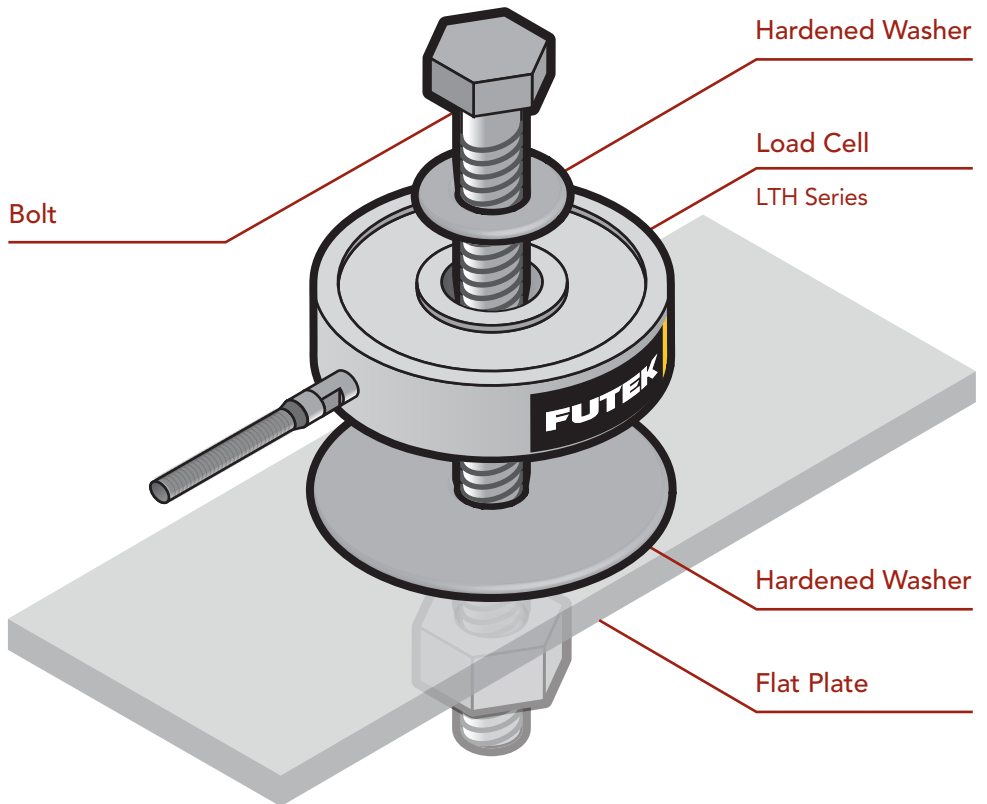
2. Support on the outer bottom (Fixed End) ring only.



3. Load must be applied uniformly on entire loading surface and contact only top inner ring.



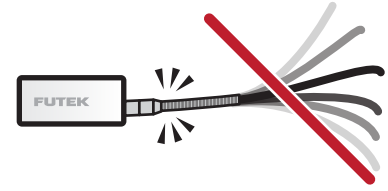
Further mounting suggestions:



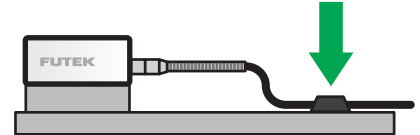
Cable Care and Routing

- Below is information for proper cable care and handling. Cable material type and length can be found online in the sensor description page.

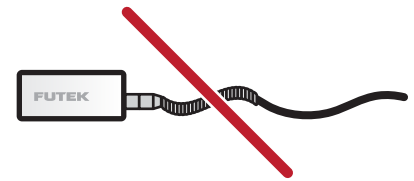
1. Avoid stress and movement on cable to avoid damage.



2. Properly secure sensor cable to limit cable movement influence.



3. Avoid bending the strain relief. Bends in the cable should not exceed a radius of ten times the diameter of the sensor cable for dynamic, or moving, applications and not exceed a onetime static, permanent, bend of two to three times the diameter of the cable.



CABLE JACKET REFERENCE

MATERIAL	TEMP	CHEMICAL EXPOSURE	TARGET APPLICATION	HANDLING	NOTES
Teflon	Excellent	Excellent	Industrial, medical, aerospace	Robust, slick	
PVC (polyvinyl chloride)	Good	Good	General	Soft, flexible, easy to use	Not suitable for cold applications
Silicone	Average	Fair	Automation	Soft, flexible, easy to use	
Polypropylene	Good	Good	Automation	Soft, flexible, easy to use	
Polyester	Good	Good	General	Soft, flexible, easy to use	
Polyurethane	Average	Good	Automation	Soft, flexible, easy to use	Not suitable for thermal chambers

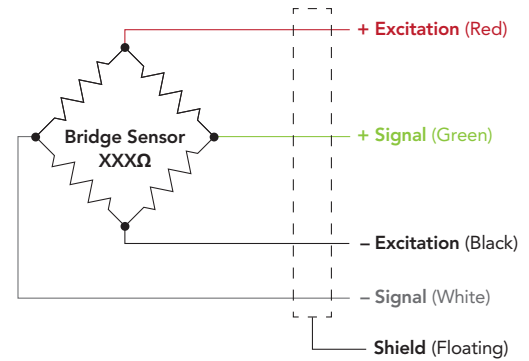
Electrical Installation

WIRING AND CONNECTIONS

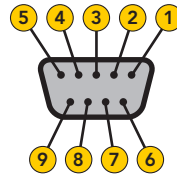
- The LTH load cell series utilizes a four-wire bare lead connector as standard and optional models with TEDS capable DB9 connectors.
- Standard four wire connections are +Excitation, -Excitation, +Signal, and -Signal. The standard coloring code for the above listed connections are Red, Black, Green, and White.
- DB9 connections offer additional TEDS data and TEDS return connections.

LTH EXCITATION POWER LEVELS	
SENSOR FAMILY	MAX. EXCITATION
LTH300	18 V
LTH350	18 V
LTH400	18 V
LTH500	18 V

WC1 STANDARD 4-WIRE



CC15 DB-9 W/ TEDS

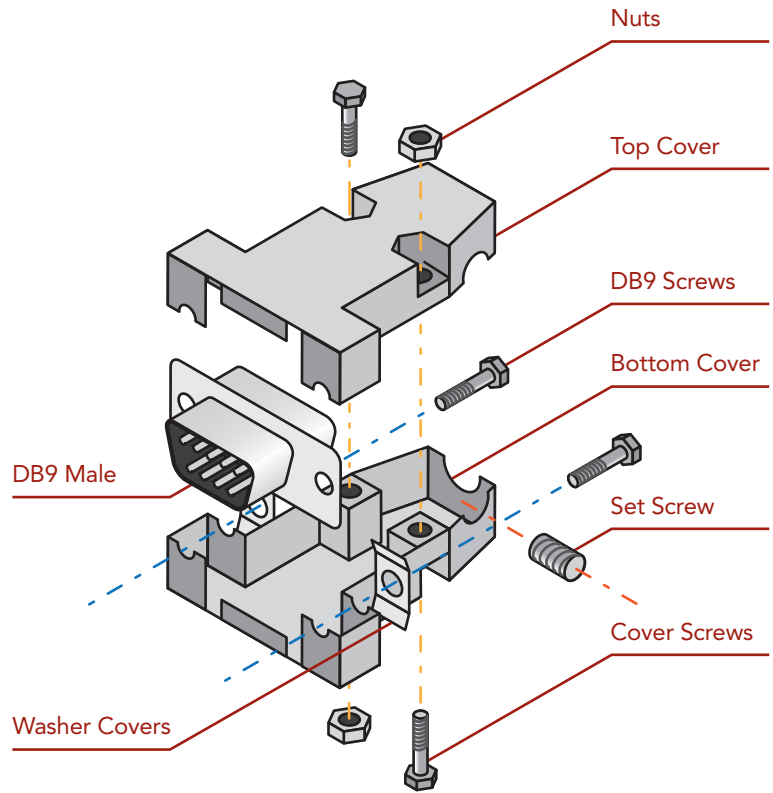


DB9 W/ TEDS	
PIN	DESCRIPTION
1	+ Signal
2	+ Excitation
4	+ Sense ¹
5	TEDS Data
6	- Signal
7	- Excitation
8	- Sense ¹
9	TEDS Ground

¹For 6-wire sensors, connect + Sense to + Excitation and - Sense to - Excitation or Ground

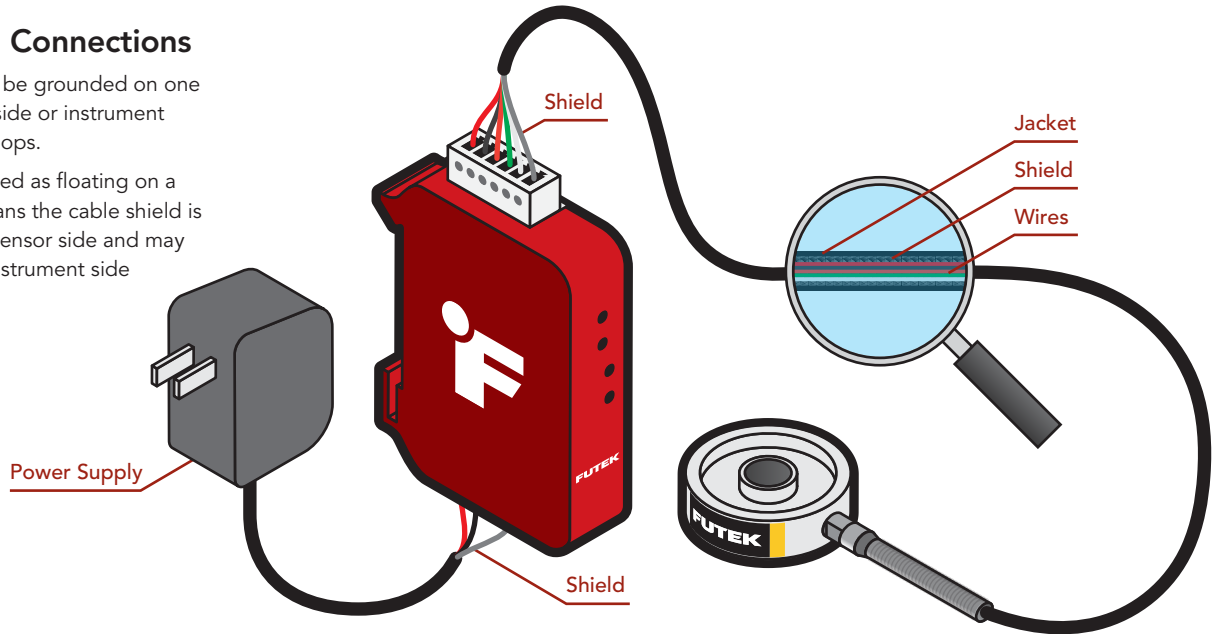
Sensor DB-9 Assembly

MALE DB9 CONNECTOR (SUPPLIED)



Shield Usage and Connections

- Cable shielding should be grounded on one end, either the sensor side or instrument side to avoid ground loops.
- A shield connection listed as floating on a sensors spec sheet means the cable shield is not connected on the sensor side and may be connected on the instrument side to ground.



Calibration

- A yearly calibration is recommended. But verification and calibration period shall be defined based on application, conditions, endurance and usage.
- FUTEK offers NIST calibrations as well as A2LA certified calibrations for total uncertainty.
- For more information on available calibrations visit FUTEK calibration web page at: <https://www.futek.com/store-calibration>
- For recalibration orders visit the FUTEK recalibration page at: <https://www.futek.com/recalibration>
- An online summary of calibration results is available at: <https://www.futek.com/support/calibrationdata>

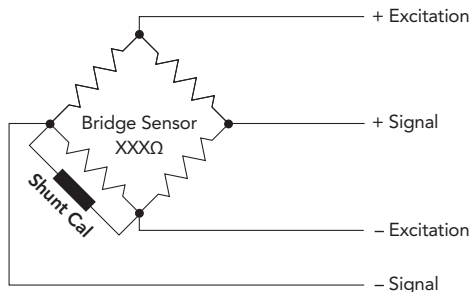
SHUNT

A shunt is an external resistance applied across two points on the load cell's Wheatstone bridge to generate a known, fixed output from the sensor.

Shunt results can be used to set up instruments as well as compare changes to the load cell output over time and usage.

When selecting the appropriate shunt resistance for your load cell, we recommend a resistance that generates an output of about 80% of the sensor's rated output. It is important to have a shunt resistance that results in an output that is less than the full output of the load cell.

Additionally, recommended shunt resistance levels may be available on the sensor spec sheet.



TEDS

Transducer Electronic Data Sheet (TEDS) IEEE1451.4 standard is available for FUTEK sensors and is utilized by select FUTEK instruments.

Through the use of TEDS load cell calibration information can be stored with sensor, or sensor cable, for use with TEDS capable instruments.

FUTEK utilizes the Bridge Sensor template 33 for the LTH family.

The following FUTEK instruments are TEDS and LTH compatible:



IPM Series
Panel Mount Display



IHH Series
Handheld Instrument

Troubleshooting

When troubleshooting, we recommend that the sensor be removed from any fixtures. In order to confirm that that sensor is operating correctly, we suggest placing the sensor on a firm surface, and to apply a known load.

We also recommend using a volt meter with a clean power supply to confirm the sensor is operating correctly.

SYMPTOM	POSSIBLE CAUSE	CHECK	REPAIRABILITY
High zero output	<ul style="list-style-type: none"> • Sensor is under preload • Sensor has been overloaded from too much load, off axis load, or moment. • Sensor has experienced high cyclical load fatigue. 	<ul style="list-style-type: none"> • Fixtures or bolting stress for causes of pre-load. • Loading and support placement for off axis loads. • Avoid excessive moments during installation. 	<ul style="list-style-type: none"> • Overload shift would not be repairable. • If zero offset is stable it may be possible to use sensor by use of Tare or subtracting zero from sequential readings.
Non-responsive zero output	<ul style="list-style-type: none"> • Sensor or instrument is not powered. • Sensor is not properly connected. • Load is not displaced properly onto sensor. • Sensor is not supported correctly and not allowing deflection to occur to measure load. • Internal disconnect or short. 	<ul style="list-style-type: none"> • Power and wiring to sensor and instrument. • Sensor bridge resistance for possible opens or shorts. • Perform continuity test on cable. • Load is placed correctly on sensor loading surface. • Sensor loading surface is not obstructed or supported and able to flex under load. • Sensor support is not giving while sensor is loaded. 	<ul style="list-style-type: none"> • Internal disconnections or shorts would not be available for repair. • Sensor cable repair may be available if disconnect or short is not too close to sensor.
Non-responsive high output	<ul style="list-style-type: none"> • Sensor is disconnected from instrument. • An opening has occurred in sensor or cable connection. • Sensor has been overloaded and deformed causing permanent high stress on internal gauges. • Fixture, applied load, or mounting is causing a high pre-load on sensor. 	<ul style="list-style-type: none"> • Power and wiring to sensor and instrument. • Sensor bridge resistance for possible opens or shorts. • Perform continuity check on cable. • Sensor zero output to see if sensor returns to zero or has a high zero load output due to overloading. • Remove load and loosen mounting bolts or fixtures to check if sensor is being preloaded. 	<ul style="list-style-type: none"> • Overload shift would not be repairable. • Internal disconnections or shorts would not be available for repair. • Sensor cable repair may be available if disconnect or short is not too close to sensor.
Incorrect output for applied load	<ul style="list-style-type: none"> • Load is not applied correctly to sensor loading surface or is off axis. • Fixtures are not secure or obstruct loading. • Sensor loading surface is not able to deflect with applied load. • Sensor support is not ridged and firm. • Incorrect sensor output is utilized. 	<ul style="list-style-type: none"> • Placement of load on sensor. • Fixtures are not impeding ability to load. • Support surface is not giving with applied load. • Calibration verified outputs are being used. 	<ul style="list-style-type: none"> • Recalibration is available for confirmation of sensor performance.

SYMPTOM	POSSIBLE CAUSE	CHECK	REPAIRABILITY
Zero output drift	<ul style="list-style-type: none"> Unstable power supply, or noisy power supply, to sensor. Sensor exposed to temperature change. Sensor exposed to pre-load from fixture or mounting. Sensor exposed to liquid or humidity. 	<ul style="list-style-type: none"> Stability of power supply and noise levels. For temperature changes or unevenly distributed temperature changes. Possible loose fixtures and bolts 	<ul style="list-style-type: none"> Internal damage from liquid exposure is not repairable. Recalibration is available for confirmation of sensor performance.
Creep in output while under load	<ul style="list-style-type: none"> Load or fixtures are not stable. Power supply is unstable or noisy. Sensor is exposed to temperature change. Sensor support is not rigid and firm. Sensor exposed to liquid or humidity. Friction in assembly 	<ul style="list-style-type: none"> Stability of power supply and noise levels. Fixtures for stability. For temperature changes or unevenly distributed temperature changes. Confirm support surfaces are not giving while under load. 	<ul style="list-style-type: none"> Internal damage from liquid exposure is not repairable. Recalibration is available for confirmation of sensor performance.
Noisy or unstable output	<ul style="list-style-type: none"> Power supply is noisy. Load is not stable. Sensor or cable is placed close to high power equipment. Sensor or instrument is exposed to ground loop with other equipment grounds. 	<ul style="list-style-type: none"> Power supply stability. Load is stable and fixtures are secure. Reroute cables away from high power equipment. Confirm wiring and grounds are not connected to unintended equipment ground. 	<ul style="list-style-type: none"> There are no active electronics in a load cell, such as capacitors or IC chips that may contribute to noise.

Further Support Resources

- Tips on noise reduction can be found at: https://media.futek.com/content/futek/files/pdf/Manuals_and_Technical_Documents/how-to-reduce-electrical-noise-in-your-system.PDF
- More information about our LTH sensor series can be found online at the FUTEK website. <http://www.futek.com/LTH/overview.aspx>
- A one year recalibration is recommended. But verification and calibration period shall be defined based on application, conditions, endurance and usage. Calibration data may be available online at <https://www.futek.com/support/calibrationdata>
- To send in your sensor or system for recalibration visit our FUTEK calibration web page at: <https://www.futek.com/recalibration>
- FUTEK Technical Support may be reached at: <https://www.futek.com/contact/technical-request>
- To send in your sensor or system for evaluation and repair visit our FUTEK RMA web page at: <https://www.futek.com/rma>
- FUTEK contact information can be found online at: <http://www.futek.com/contact>
- Warranty information can be found online at <https://media.futek.com/content/futek/files/pdf/ExtendedWarranty.pdf>