



# M2232A-PA126 SYSTEM DATASHEET



SYSTEM PERFORMANCE	METRIC	IMPERIAL
Sine Force Peak kN (lbf)	21.56	4,846
Random Force rms kN (lbf)	21.56	4,846
Shock Force (6ms) kN (lbf)	43.12	9,693
Useful Frequency Range Hz	5 - 3000	5 - 3000
Continuous Displacement mm (in)	51	2.0
Shock Displacement mm (in)	51	2.0
Max Velocity m/s (in/s)	2	78.7
Max Acceleration Sine Peak m/s <sup>2</sup> (g)	980	100

Air-cooled system ideally suited to test small to medium-sized electronic parts, hand-held units and small mechanical assemblies.

- Continuous displacement 51 mm (2.0 in)
- Useable frequency range 5 - 3000 Hz
- Max static payload 300 kg (661 lb)
- Air-cooled amplifier efficiency > 90%
- Rugged air-isolated trunnion

M2232A SHAKER	METRIC	IMPERIAL
Armature Diameter mm (in)	320	12.6
Armature Material	Al	Al
Effective Armature Mass kg (lb)	22	48.5
Armature Insert Pattern PCD mm (in)	8-160/8-250	8-6/8-10
Armature Insert Threads	M10	3/8-16UNC
First Resonant Frequency (bare table) ±5% Hz	2,450	2,450
Max Static Payload kg (lb)	300	661
Natural Frequency Thrust Axis Hz	< 5	< 5
Stray Flux Density gauss	< 10	< 10
Shaker Weight Uncrated kg (lb)	1,600	3,527
Dimensions Uncrated (W x D x H) mm (in)	1394 x 850 x 1036	54.9 x 33.5 x 40.8

**SLIP TABLES**  
Mono-base slip tables in a wide-range of sizes and configurations for maximum over-turning moment and cross-axial restraint

PA126 POWER AMPLIFIER	METRIC	IMPERIAL
Number of Sub-modules Supplied	6	6
Rated Power Output kVA	26	26
Rated Output Voltage V rms	95	95
Rated Output Current A rms	270	270
Number of Cabinets	1	1
System Required Power kVA	33	33
Amplifier Weight Uncrated kg (lb)	410	904
Dimensions Uncrated (W x D x H) mm (in)	580 x 850 x 1840	22.8 x 33.5 x 72.4

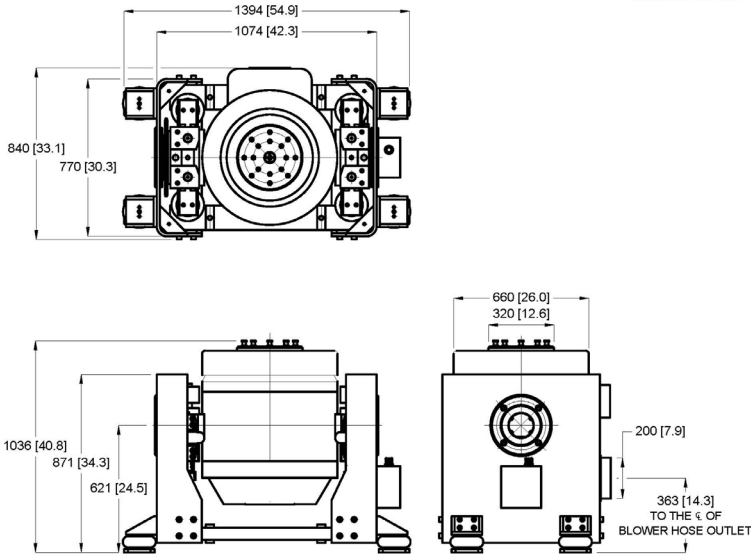
**OPTIONS & ACCESSORIES**  
Sentek Dynamics offers a wide selection of options and accessories for unique applications and complete turn-key systems.

- Custom armature and slip table insert patterns and threads available
- Air-isolation mounts eliminate need for seismic floor
- Thermal barrier for use with environmental test chambers
- Remote control panel for remote operation

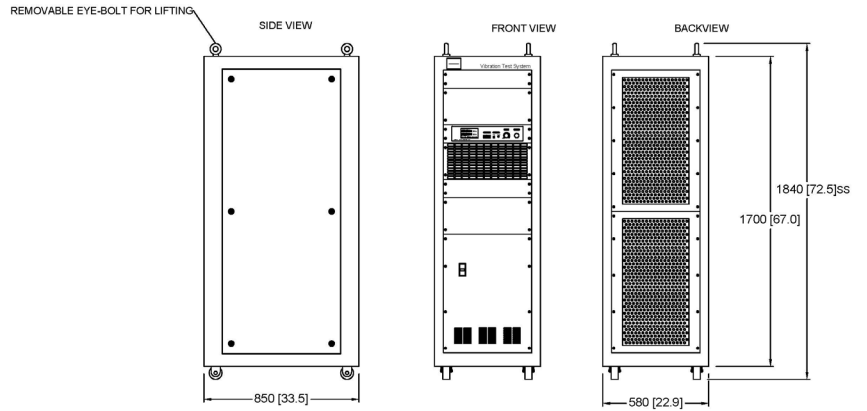
BU-3 BLOWER	METRIC	IMPERIAL
Standard Air Hose Length m (ft)	5	16.4
Hose Diameter mm (in)	200	7.9
Blower Unit Weight Uncrated kg (lb)	260	573
Dimensions (W x D x H) mm (in)	800 x 1100 x 1900	31.5 x 43.3 x 74.8



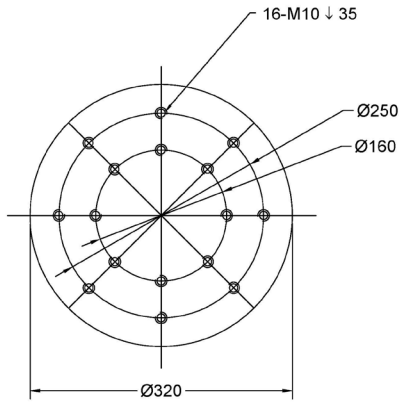
**SHAKER MODEL M2232A**



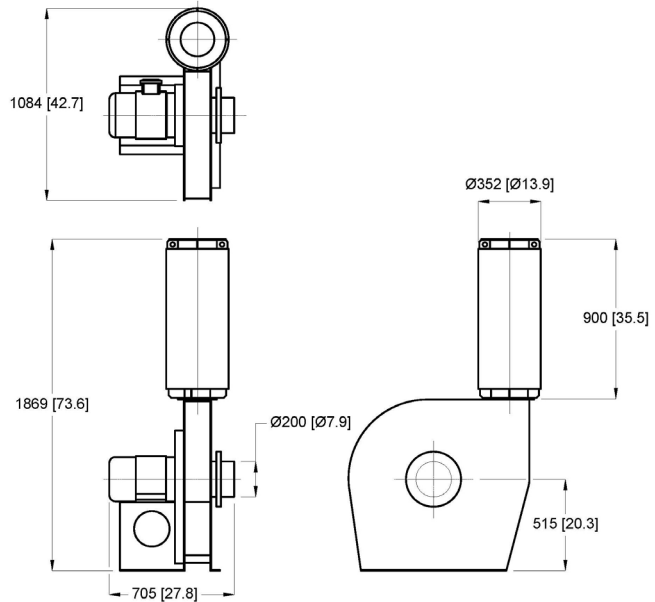
**POWER AMPLIFIER MODEL PA126**



**ARMATURE INSERT PATTERN**



**BLOWER UNIT MODEL BU-3**



SENTEK DYNAMICS  
2370 OWEN STREET  
SANTA CLARA, CA 95054  
UNITED STATES OF AMERICA

PHONE: +1.408.200.3100 | FAX: +1.408.659.8229 | WWW.SENTEKDYNAMICS.COM | SALES@SENTEKDYNAMICS.COM

© 2017 Sentek Dynamics, All Rights Reserved. 03/2017

Notice: This document is for informational purposes only and does not set forth any warranty, expressed or implied, concerning any equipment, equipment feature, or service offered or to be offered by Sentek Dynamics. Sentek Dynamics reserves the right to make changes to this document at any time, without notice, and assumes no responsibility for its use. This informational document describes features that may not be currently available. Contact a Sentek Dynamics sales representative for information on features and product availability.