

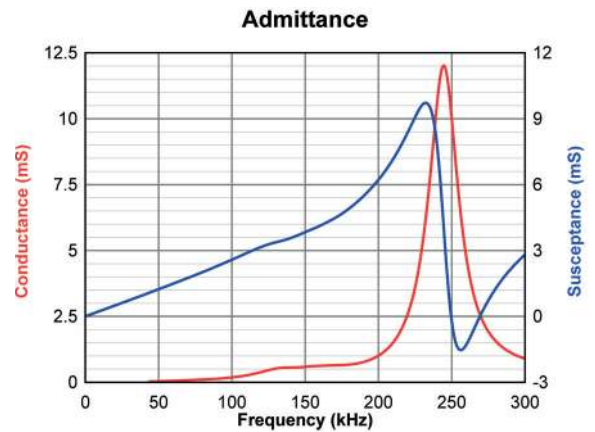
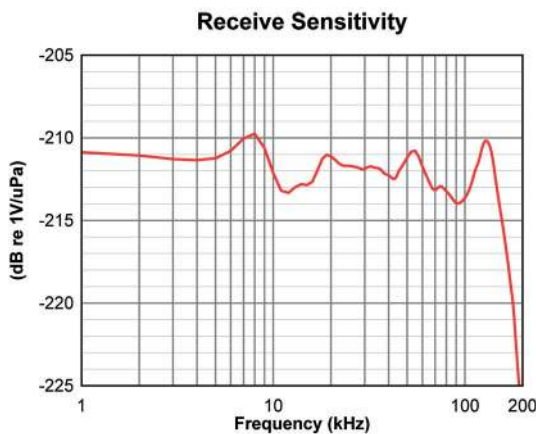
# MODEL B/200



- **WIDE BAND RESPONSE**
- **LOW NOISE PERFORMANCE**
- **ACOUSTIC REFERENCE STANDARD**
- **OMNI BEAM PATTERN**
- **HIGH PERFORMANCE**
- **DOUBLE-SCREENED CABLE**

The B/200 miniature hydrophone has been designed by Neptune to achieve the optimum combination of frequency, physical size and receive sensitivity. This has resulted in a hydrophone with a wide variety of applications ranging from marine mammal sound studies to the analysis of near field pressure patterns.

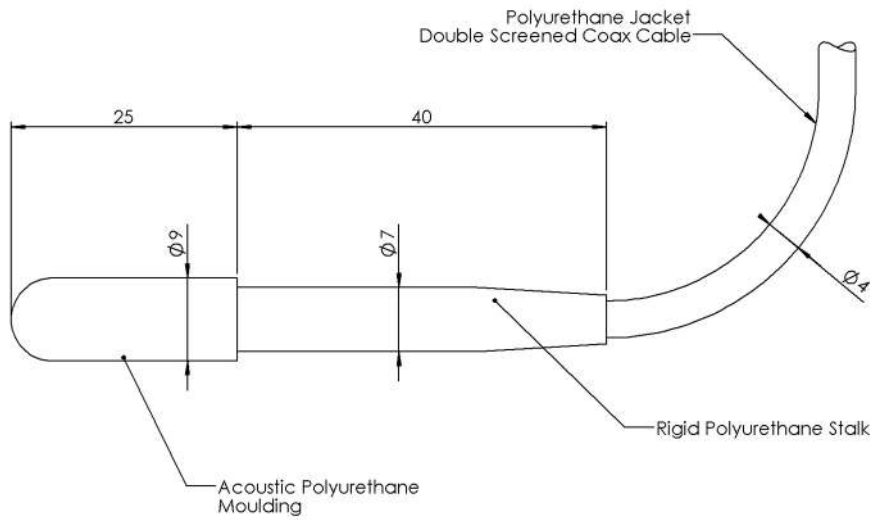
The B/200 is available with or without acoustic calibration which is traceable to National Standards.



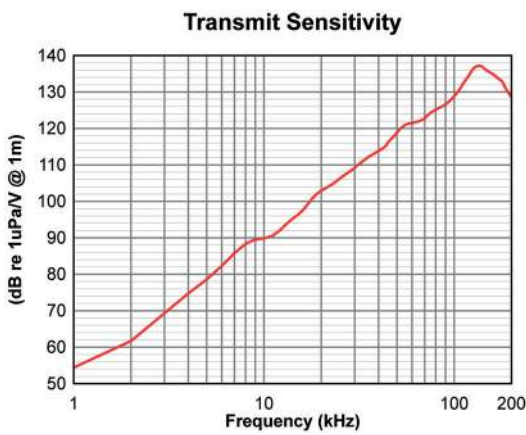
## TECHNICAL SPECIFICATION

Resonant Frequency (Nominal)	170 kHz
Beam Pattern Horizontal	Omni $\pm$ 2 dB at 100kHz
Beam Pattern Vertical	270° $\pm$ 3 dB at 100kHz
Receive Sensitivity	-212 dB re 1V/ $\mu$ Pa
Transmit Sensitivity	136 dB re 1 $\mu$ Pa/V @ 1m
Capacitance at 1 kHz (with 10m cable)	3,900 pF
Transmit Voltage (Max)	50 Vrms
Transmit Voltage / Duty Cycle (Max)	50 Vrms at 10% 15 Vrms at 100%

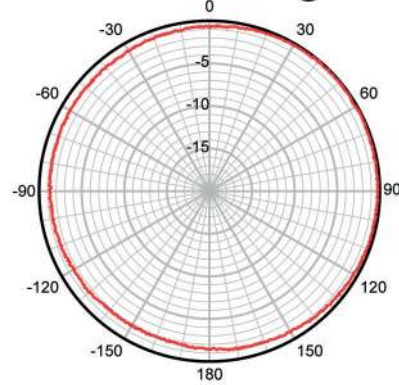
# MODEL B/200



All dimensions in mm



**Horizontal Beam Pattern @ 100kHz**



## MECHANICAL SPECIFICATION

Operating Depth	700m
Weight Air/Water (with 10m cable)	0.16 kg / 0.03 kg
Operating Temperature	-5 to +40 °C
Storage Temperature	-40 to +80 °C
Cable Type	Polyurethane Ø4mm Double Screened LNC (Optional Ø3mm Single Screened LNC)
Cable Length	10 metres standard (Additional lengths supplied to order)
Connector	10-32 UNF M (Optional adaptor 10-32 UNF F to BNC M)