

# 3-Axis Gyroscope with 'best in class' tactical grade performance

## GI-CVG-A23XXD

### DATASHEET



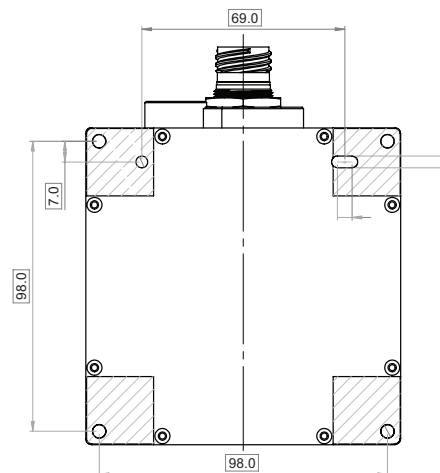
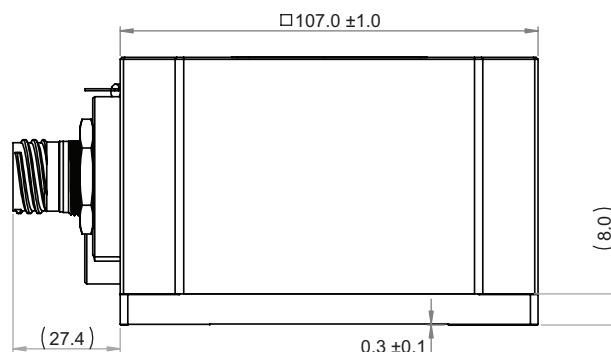
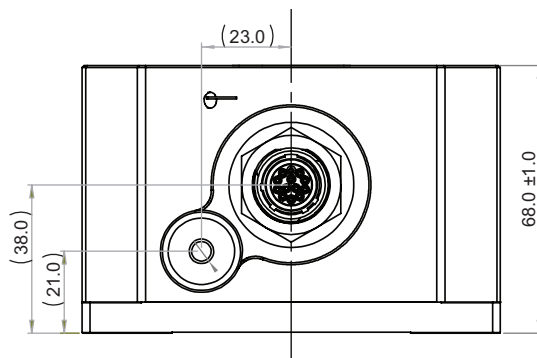
HIGH-PERFORMANCE INERTIAL SENSORS

The GI-CVG-A23XXD is a 3-axis gyroscope with digital output, which allows the user to make accurate measurements of three orthogonal rate rotations.

It is suitable for a range of applications, requiring tactical performance, very low noise, and high MTBF in a compact design coupled with low power consumption.

Applications include:

- Platform stabilisation
- Stabilisation of optical systems or other implementations on airborne, land-based, and marine programs
- Stabilisation of pointing and directional systems
- Stabilisation of antenna/radar



Parameter	Value
Input rate measurement limit	+/- 160°/s
Operating Temperature range	-45°C to +85°C
Bandwidth (-3dB)	> 300Hz
Bias in-run	0.1°/hr (1σ)
ARW	0.01 °/√hr typical
Noise [1-100Hz]	≤ 0.01 °/s RMS
Turn on time	1 sec
Built in self-test	Yes
Output signal format	RS422 Asynchronous
Output signal update rate	2KHz
Output signal baud rate	1 MBaud
Power supply	28V
Connector (13 pins)	MIL-DTL-38999 Series III
Power consumption	≤ 6W
MTBF (per MIL-HDBK-217-F)	> 500,000hr
Weight	≤ 1.3kg
Envelope	107mm x 107mm x 68 mm