

HS-420 Accelerometer

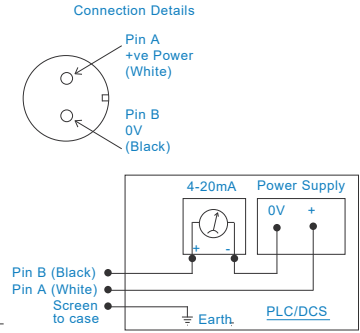
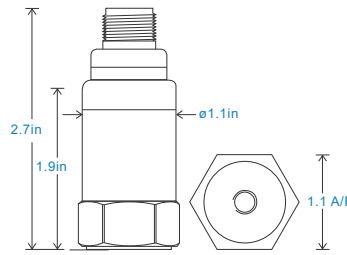
4-20mA velocity output via 2 Pin MS Connector

Key Features

- For use with PLC/DCS systems
- Customizable features

Industries

Building services, Pulp and Paper, Mining, Metals, Utilities, Automotive, Water, Pharmaceutical



Technical Performance

| | |
|------------------------|--|
| Mounted Base Resonance | 5kHz min |
| Velocity Ranges | see: 'How To Order' table $\pm 10\%$ Nominal 80Hz at 72°F |
| Frequency Response | 600cpm (10Hz) to 60kcpm (1kHz) $\pm 5\%$ - ISO10816 |
| Isolation | Base isolated |
| Range | 50g peak |
| Transverse Sensitivity | Less than 5% |

Mechanical

| | |
|------------------------------|---|
| Case Material | Stainless Steel |
| Sensing Element/Construction | PZT/Compression |
| Mounting Torque | 5.9ft. lbs |
| Weight | 5.2 oz. (nominal) body only |
| Shielded Cable Assembly | see: www.hansfordsensors.com for options |
| Connector | HS-AA004 - non-booted HS-AA053 or HS-0054 - booted |
| Mounting Threads | see: 'How To Order' table |

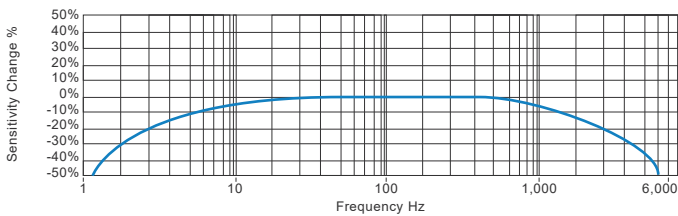
Electrical

| | |
|------------------|---|
| Current Output | 4-20mA DC proportional to Velocity Range |
| Supply Voltage | 15-30 Volts DC (for 4-20mA) |
| Settling Time | 2 seconds |
| Output Impedance | Loop Resistance 600 Ohms max. at 24 Volts |
| Case Isolation | $>10^8$ Ohms at 500 Volts |

Environmental

| | |
|-----------------------------|----------------|
| Operating Temperature Range | -13 to 248°F |
| Sealing | IP68 |
| Maximum Shock | 5000g |
| EMC | EN61326-1:2013 |

Typical Frequency Response



Applications

Fans, Motors, Pumps, Compressors, Centrifuges, Conveyors, Air Handlers, Gearboxes, Rolls, Dryers, Presses, Cooling, VAC, Spindles, Machine Tooling, Process Equipment

Vibration sensor should be firmly fixed to a flat surface (spot face surface may be needed to be produced and cable anchored to sensor body.)



How To Order

| | | | | | | | | | | | |
|--|--|---|----------|---|----------|---|----------|----------|----------|----------|----------|
| Product Prefix HS - Hansford Sensors | Product Series 420 - Industrial Vibration Sensor | | | | | | | | | | |
| H | S | 4 | 2 | 0 | X | X | X | X | X | X | X |
| Extra Options (if required) | | Velocity Range (RMS unless specified) | | Cable/Connector | | Mounting Threads | | | | | |
| F - Filtered I - Intrinsically Safe L - 316L Stainless Steel RT - Temperature Output PT100 S - 90° Side Exit T - Temperature Output | | U - Imperial Range UP - Imperial Peak Range UPP - Imperial Peak to Peak Range | | 01 - PUR 02 - Braided 07 - Silicon 08 - Flame Retardant 50 - 2 Pin MS 54 - M12 | | 01 - ¼-28" UNF Female 02 - ¼-28" UNF Male 05 - Quick Fit Female 06 - M6 x 1mm Male 08 - M8 x 1.25mm Male 10 - M10 x 1.5mm Male | | | | | |



www.hansfordsensors.com
sales@hansfordsensors.com

We reserve the right to alter the specification of this product without prior notice
 TS008U.6

