

HS-150 Premium Accelerometer

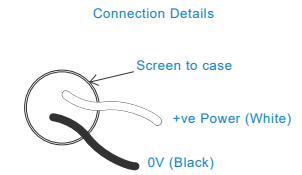
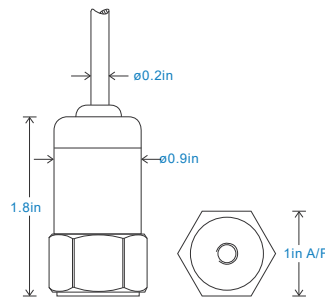
AC acceleration output via Flame Retardant Cable

Key Features

- For use with data collector
- Premium design
- Low smoke, halogen free cable

Industries

Building services, Pulp and Paper,
Mining, Metals, Utilities, Automotive,
Water, Pharmaceutical



Technical Performance

Mounted Base Resonance	see 'How To Order' table (nominal)
Sensitivity	see: 'How To Order' table $\pm 10\%$ Nominal 80Hz at 72°F
Frequency Response	90cpm (1.5Hz) to 600kcpm (10kHz) $\pm 5\%$ 30cpm (0.5Hz) to 720kcpm (12kHz) $\pm 10\%$ 12cpm (0.2Hz) to 900kcpm (15kHz) $\pm 3dB$
Isolation	Base isolated
Range	see: 'How To Order' table
Transverse Sensitivity	Less than 5%

Mechanical

Case Material	Stainless Steel
Sensing Element/Construction	PZT/Shear
Mounting Torque	8Nm
Weight	106gms (nominal) body only
Maximum Cable Length	1000 metres
Standard Cable Length	5 metres
Shielded Cable	Flame Retardant - length to be specified with order
Mounting Threads	see: 'How To Order' table

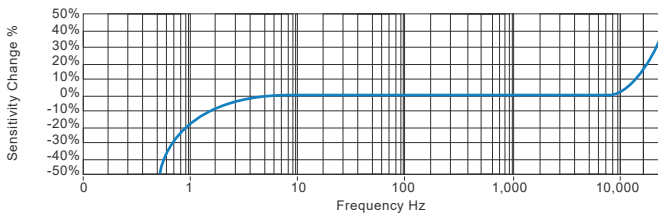
Electrical

Excitation Voltage	18-30Volts DC
Electrical Noise	0.1mg max
Current Range	0.5mA to 8mA
Bias Voltage	10 - 12 Volts DC
Settling Time	2 seconds
Output Impedance	200 Ohms max.
Case Isolation	$>10^8$ Ohms at 500 Volts

Environmental

Operating Temperature Range	-40 to 212°F
Sealing	IP65
Maximum Shock	5000g
EMC	EN61326-1:2013

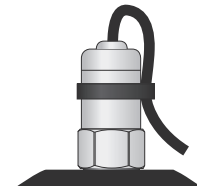
Typical Frequency Response (at 100mV/g)



Applications

Fans, Motors, Pumps, Compressors,
Centrifuges, Conveyors, Air Handlers,
Gearboxes, Rolls, Dryers, Presses,
Cooling, VAC, Spindles, Machine Tooling,
Process Equipment

Vibration sensor should be firmly fixed to a flat surface
(spot face surface may be needed to be produced and
cable anchored to sensor body.)



How To Order

Product Prefix	Product Series	Cable Length (if integral cable)												
HS - Hansford Sensors	150 - Premium Industrial Vibration Sensor	UXX - length specified in feet												
H	S	1	5	0	X	X	X	X	X	X	X	X	X	X
Extra Options (if required)		Sensitivity	Range	Resonant Frequency		Cable/Connector			Mounting Threads					
F - Filtered	010 - 10mV/g	$\pm 800g$	1,680kcpm (28kHz)	01 - PUR			01 - ¼-28" UNF Female							
L - 316L Stainless Steel	030 - 30mV/g	$\pm 250g$	1,560kcpm (26kHz)	02 - Braided			02 - ¼-28" UNF Male							
RT - Temperature Output PT100	050 - 50mV/g	$\pm 160g$	1,440kcpm (24kHz)	07 - Silicon			05 - Quick Fit Female							
S - 90° Side Exit	100 - 100mV/g	$\pm 80g$	1,320kcpm (22kHz)	08 - Flame Retardant			06 - M6 x 1mm Male							
T - Temperature Output	250 - 250mV/g	$\pm 32g$	1,200kcpm (20kHz)	50 - 2 Pin MS			08 - M8 x 1.25mm Male							
Y - 5% tolerance on sensitivity	500 - 500mV/g	$\pm 16g$	1,080kcpm (18kHz)	54 - M12			10 - M10 x 1.5mm Male							



www.hansfordsensors.com
sales@hansfordsensors.com

We reserve the right to alter the specification of this product without prior notice

TS400U.4

