

# GRAS 46BE

1/4" CCP Free-field Standard Microphone Set



Freq range: 4 Hz to 80 kHz  
Dyn range: 35 dBA to 160 dB  
Sensitivity: 3.6 mV/Pa  
Use: For general acoustic diagnostics

The GRAS 46BE is a 1/4" Constant Current Power CCP free-field microphone set for measuring high sound pressure levels at high frequencies. It is terminated with a 10/32 UNC microdot female connector and is TEDS compatible. The equivalent traditional 200 V LEMO type is [GRAS 46BF](#).

## Introduction

Through a close cooperation with our customers, we know that data-safety is highly important because the costs related to unsuited and unreliable sensors may determine whether your project turns into a success or not.

For our users, data safety translates directly into requests for easier microphone selection, simple system configuration and reduction of measurement errors.

To meet these requirements, we invented the microphone set concept. It is simple, reliable and robust and consists of a microphone cartridge and preamplifier combination, which is calibrated as one unit. This eliminates errors because there is only one sensitivity value to account for and the risk of contaminating the interface is eliminated. Combine this with our unique and proven design and you have the most reliable measurement microphone sets available in the industry today.

## Typical applications and use

The 46BE is a free-field microphone set and as such optimized for all acoustic applications, where the location of the main sound source is known and the microphone can be pointed directly at it ensuring 0° incidence. However it should be noted that the small size of the 1/4" microphone body and diaphragm also enables pressure and random-incidence (diffuse field) measurements up to 20 kHz without removing the protection grid or need for further compensation. This all-use feature is very useful if you are not able to point out the nature of your sound field.)

The high cut-off frequency makes it ideal for ultrasonic diagnostics and impulse measurements, where minimum distortion and high resolution are obtained by the small size and fast response of the

diaphragm.

Regarding temperature range, see the Specifications. Should higher temperature limits be required, we recommend considering the GRAS probe microphones where the microphone and preamplifier can be isolated from the hot source.

## Design

The GRAS 46BE is a high-performance 1/4" free-field standard microphone set for measuring high sound pressure levels at high frequencies. In our clean-room environment the set is assembled and sealed with a label. However, the microphone set can be dismounted, if you wish to use the components separately.

### Microphone

The microphone cartridge is the high-quality IEC 61094 WS3F standardized [GRAS 40BE](#) 1/4" Prepolarized Free-Field Microphone, designed for long-term reliability in multiple environments.

The prepolarization is obtained through an electret that is inflicted on the microphone back-plate under highly controlled conditions. The electret is then charged to match the specified microphone sensitivity.

### Preamplifier

The preamplifier is the [GRAS 26CB](#) 1/4" CCP Standard Preamplifier with Microdot connector, and based on our well-known circuit board substrates. In the industry these are famous for their low self-noise, wide frequency and excellent slew rate performance.

## Compatibility

To perform as specified the GRAS 46BE microphone set requires a constant current input module that can deliver 4 mA and 24 V unloaded CCP voltage supply. If the constant current supply is lower, the

capability of driving long cables is reduced and consequently the upper frequency is reduced. If the voltage supply is lower it will influence the upper dynamic range.

The microphone set is terminated with a 10/32 UNC Microdot female connector. Ready to use coax cable assemblies of various types and lengths are available in standard as well as customized lengths.

The 46BE is IEEE 1451.4 TEDS v. 1.0 compliant. If your measurement platform supports Transducer Electronic Data Sheets you will be able to read and write data like properties and calibration data.

## System verification

The functionality of TEDS is very useful to determine which microphone is connected to which input channel. However, it is not a check of whether the microphone is within specifications or not. For daily verification and check of your measurement setup, we therefore recommend using a sound source like the [GRAS 42AG](#) Sound Calibrator.

For proper sensitivity calibration we recommend using a reference sound source like the [GRAS 42AP](#) Intelligent Pistonphone.

## Calibration

When leaving the factory, all GRAS microphones have been calibrated in a controlled laboratory environment using traceable calibration equipment. Depending on the use, measurement environment and internal quality control programs we recommend that the microphone is recalibrated at least once a year.

We offer two kinds of calibration as an optional after-sales service: GRAS Traceable Calibration and GRAS Accredited Calibration.

GRAS Traceable Calibration is a traceable calibration

performed by trained personnel under controlled conditions according to established procedures and standards. This is identical to the rigorous calibration that all GRAS microphones are subjected to as an integral part of our quality assurance.

GRAS Accredited Calibration is performed by the GRAS Accredited Calibration Laboratory that has been accredited in accordance with ISO 17025 by DANAK, the Danish Accreditation Fund.

If you want a new microphone set delivered with an accredited calibration in stead of the default factory calibration, specify this when ordering.

Learn more at [gras/calib](https://www.gras.com/calib).

## Quality and warranty

GRAS microphone sets are made of components from our proven standard portfolio and are all manufactured of high-quality material and branded parts that were chosen and processed to ensure life-long stability and robustness.

All parts are manufactured and assembled at the factory in Denmark by skilled and dedicated operators in a verified clean-room environment. The microphone diaphragm, body and unique protection grid are made of high-grade stainless steel and make the microphone set resistant to physical damage as well as corrosion caused by aggressive air or gasses.

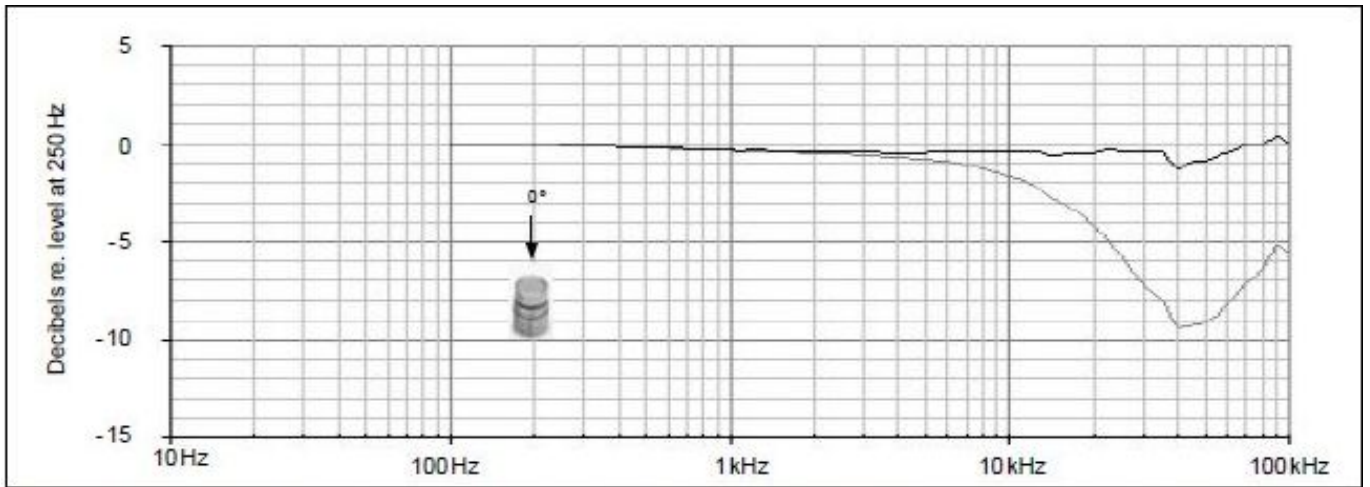
This, together with the enforced gold-plated microphone terminal guarantees a highly reliable connection. Thanks to the high quality, our warranty against defective materials and workmanship is 5 years.

## Service

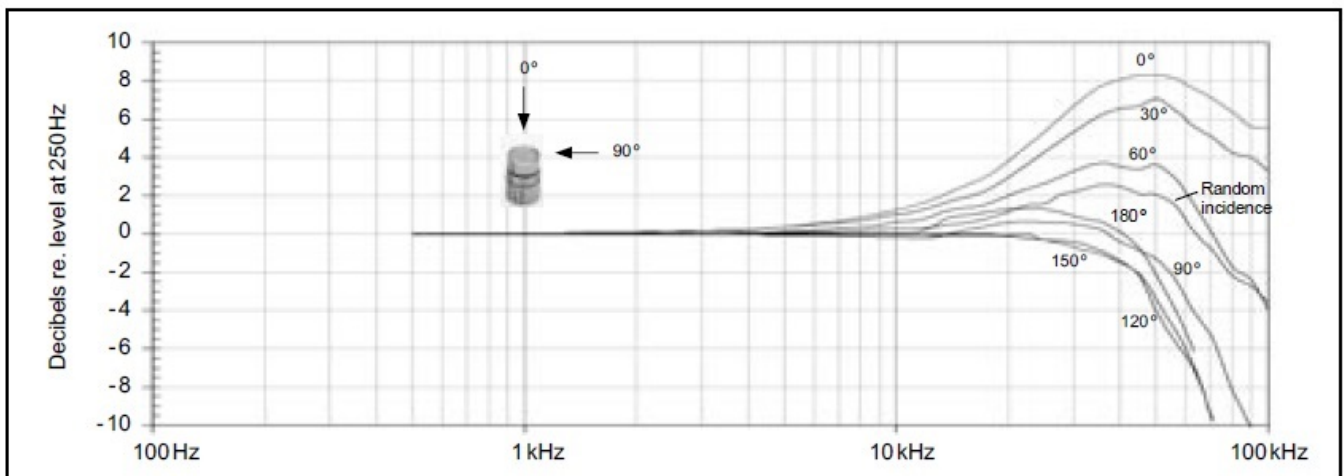
Should you by mistake damage the diaphragm on a GRAS microphone we will in most cases be able to

exchange it at a very reasonable cost and short turn-around time. This not only protects your investment but also meets your quality assurance department since you do not have to worry about new serial numbers etc.

Polarization/Connection		0 V / CCP
Frequency range ( $\pm 1$ dB)	Hz	10 to 40 k
Frequency range ( $\pm 2$ dB)	Hz	4 to 80 k
Frequency range ( $\pm 3$ dB)	Hz	4 to 100 k
Dynamic range lower limit with GRAS preamplifier	dB(A)	35
Dynamic range upper limit with GRAS CCP preamplifier	dB	160
Set sensitivity @ 250 Hz ( $\pm 2$ dB)	mV/Pa	
Set sensitivity @ 250 Hz ( $\pm 3$ dB)	mV/Pa	3.6
Output impedance	$\Omega$	<50
Output Voltage Swing, min. @ 24-28 V CCP voltage supply	Vp	8
Power supply min. to max.	mA	2 to 20
Power supply min. to max. (single/balanced)	V	N/A
DC bias voltage, typ.	V	12
Microphone venting		Rear
IEC 61094-4 Designation		WS3F
Temperature range, operation	$^{\circ}\text{C} / ^{\circ}\text{F}$	-30 to 85 / -22 to 185
Temperature range, storage	$^{\circ}\text{C} / ^{\circ}\text{F}$	-40 to 85 / -40 to 185
Temperature coefficient @250 Hz	dB/ $^{\circ}\text{C}$ / dB/ $^{\circ}\text{F}$	-0.01 / -0.006
Static pressure coefficient @250 Hz	dB/kPa	-0.013
Humidity range non condensing	% RH	0 to 90
Humidity coefficient @250 Hz	dB/% RH	-0.001
Influence of axial vibration @1 m/s <sup>2</sup>	dB re 20 $\mu\text{Pa}$	60
TEDS UTID (IEEE 1451.4)		27 v. 1.0
Connector type		Microdot 10/32
CE/RoHS compliant/WEEE registered		Yes/Yes/Yes
Weight	g / oz	25 / 0.88



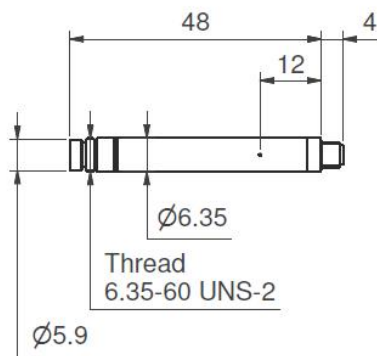
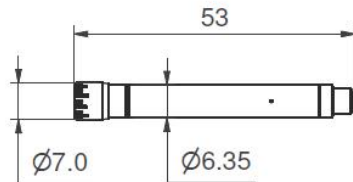
Typical frequency response (without protection grid). Upper curve shows free-field response for 0°, lower curve shows pressure response.



Free-field corrections for different angles of incidence

GRAS Sound & Vibration reserves the right to change specifications without notice.

Dimensions in mm



## Optional items

<a href="#">GRAS AA0070</a>	3 m Microdot - BNC Cable
<a href="#">GRAS AA0073-CL</a>	Customized Length Microdot - BNC Cable
<a href="#">GRAS AA0087-CL</a>	Customized Length Microdot - Microdot Cable
<a href="#">GRAS AL0029</a>	1/4" Microphone Holder, POM
<a href="#">GRAS AL0013</a>	1/4" Microphone Holder, Stainless Steel
<a href="#">GRAS AL0005</a>	Swivel head
<a href="#">GRAS AL0006</a>	Tripod
<a href="#">GRAS RA0022</a>	1/4" Nosecone
<a href="#">GRAS AM0071</a>	Windscreen for 1/4" Microphones
<a href="#">GRAS RA0127</a>	Rain-protection cap for 1/4" microphones
<a href="#">GRAS 12AL</a>	1-Channel CCP Power Module with A-weighting filter
<a href="#">GRAS 12AQ</a>	2-Channel Universal Power Module with signal conditioning and PC interface
<a href="#">GRAS 42AG</a>	Multifunction Sound Calibrator, Class 1
<a href="#">GRAS 42AP</a>	Intelligent Pistonphone, Class 0
GRAS CA0029	Traceable Calibration of Microphone Set
GRAS CA2301	Accredited Calibration of Microphone Set

GRAS Sound & Vibration reserves the right to change accessories without notice.



# GRAS Worldwide

Subsidiaries and distributors in more  
than 40 countries

## HEAD OFFICE, DENMARK GRAS SOUND & VIBRATION

Skovlytoften 33  
2840 Holte  
Denmark  
Tel: +45 4566 4046  
[www.grasacoustics.com](http://www.grasacoustics.com)  
[gras@grasacoustics.com](mailto:gras@grasacoustics.com)

## USA GRAS SOUND & VIBRATION

5750 S.W. Arctic Drive  
Beaverton, OR 97005  
Tel: 503-627-0832  
Toll Free: 800-231-7350  
[www.grasacoustics.com](http://www.grasacoustics.com)  
[sales-usa@grasacoustics.com](mailto:sales-usa@grasacoustics.com)

## CHINA GRAS SOUND & VIBRATION

Room 303, Building T6  
Hongqiaohui, 990, Shenchang Road  
Minhang District, Shanghai  
China, 201106  
Tel: +86 21 64203370  
[www.gras.com.cn](http://www.gras.com.cn)  
[cnsales@grasacoustics.com](mailto:cnsales@grasacoustics.com)



## ABOUT GRAS SOUND & VIBRATION

GRAS is a worldwide leader in the sound and vibration industry. We develop and manufacture state-of-the-art measurement microphones to industries where acoustic measuring accuracy and repeatability is of utmost importance in R&D, QA and production. This includes applications and solutions for customers within the fields of aerospace, automotive, audiology, and consumer electronics. GRAS microphones are designed to live up to the high quality, durability and accuracy that our customers have come to expect and trust.

**GRAS** Sound & Vibration