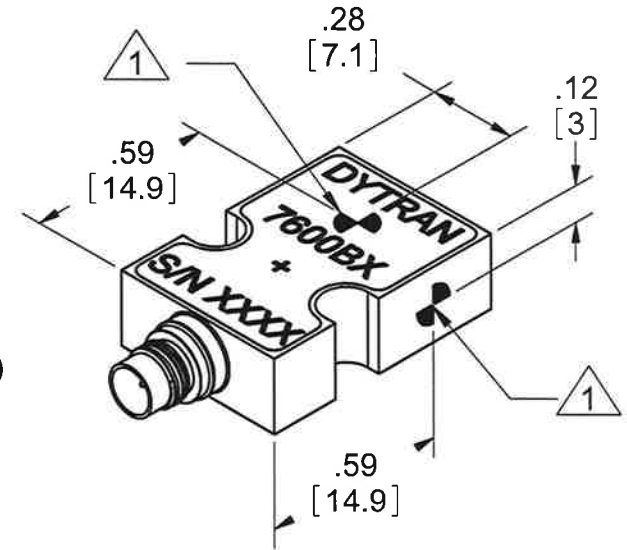
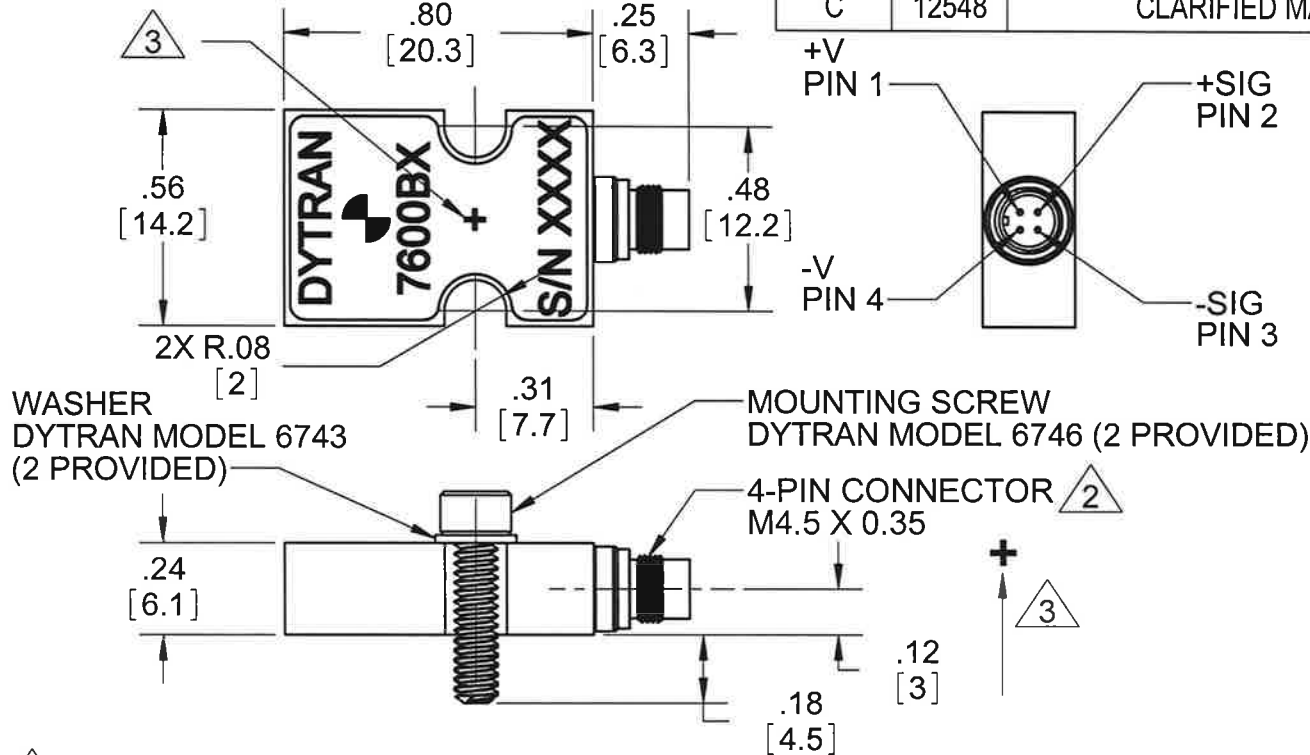


PROPRIETARY AND CONFIDENTIAL

THE INFORMATION CONTAINED IN THIS DRAWING IS THE SOLE PROPERTY OF DYTRAN INSTRUMENTS INC. ANY REPRODUCTION IN PART OR AS A WHOLE WITHOUT THE WRITTEN PERMISSION OF DYTRAN INSTRUMENTS INC. IS PROHIBITED

REVISIONS

REV	ECN	DESCRIPTION	BY/DATE	CHK	APPR
B	7348	SEE ECN	JS 01/25/11	EP	DV
C	12548	CLARIFIED MARKING	EM 03/17/16	RA	AS



MODEL	RANGE
7600B1	±5G
7600B2	±10G
7600B3	±25G
7600B4	±50G
7600B5	±100G
7600B6	±200G

- 3 ARROW & "+" INDICATES DIRECTION OF ACCELERATION FOR POSITIVE OUTPUT.
- 2 MATES WITH 6895AXX (XX= LENGTH IN FEET)
- 1 MARKING DENOTES LOCATION OF SENSING ELEMENT.

NOTES: UNLESS OTHERWISE SPECIFIED

UNLESS OTHERWISE SPECIFIED: INTERPRET DIM & TOL PER ASME Y14.5M - 1994. REMOVE BURRS. COUNTERSINK INTERNAL THDS 90° TO MAJOR DIA. CHAM EXT THDS 45° TO MINOR DIA. THD LENGTHS AND DEPTHS ARE FOR MIN FULL THDS. THDS PER MIL-S-7742. DIMENSIONS APPLY AFTER FINISHING.		UNLESS OTHERWISE SPECIFIED: DIMENSIONS ARE IN INCHES. DIMENSIONS IN BRACKETS [] ARE IN MILLIMETERS TOLERANCES ARE: INCHES METRIC ANGLES .XX ± .03 X ± 0.8 ± 1° .XXX ± 0.10 .XX ± 0.25	
7600BX USED ON NEXT ASSY		MATERIAL	
APPLICATION THIRD ANGLE PROJECTION USA		FINISH	
ALL MACHINED SURFACES. TOTAL RUNOUT WITHIN .005. BREAK SHARP EDGES .005 TO .010. MACHINED FILLET RADII .005 TO .015. WELDING SYMBOLS PER AWS A2.4. ABBREVIATIONS PER MIL-STD-12.		DO NOT SCALE DRAWING	

CONTRACT NO.



TITLE:
**OUTLINE/INSTALATION
DRAWING, 7600B SERIES**

APPROVALS		DATE
ORIG	RA	10/07/09
CHK	EP	06/28/10
APP	DV	07/16/10
APP		

SIZE A	CAGE CODE 2W033	DWG. NO. 127-7600B	REV C
SCALE: 2:1		SOLIDWORKS	SHEET 1 OF 1

Model Number 7600B5	PERFORMANCE SPECIFICATION		DOC NO PS7600B5
	VARIABLE CAPACITANCE ACCELEROMETER		REV L, ECN 14848, 02/05/19



- POWER SUPPLY IDENTICAL TO STRAIN GAGE SENSORS
- VARIABLE CAPACITANCE ACCELEROMETER
- DIFFERENTIAL MODE
- HERMETICALLY SEALED
- DC RESPONSE

PHYSICAL

Weight, Max				
Size	Length x Width x Height			
Connector	Type			
Mounting				
Material				

ENGLISH		SI	
	0.1	oz	3.6
	.80 x .56 x .23	Inches	20.3 x 14.2 x 5.8
	4-PIN, M4.5 x 0.35 THD		4-PIN, M4.5 x 0.35 THD
	4-40 X 7/16 LG SHCS		4-40 X 7/16 LG SHCS
	Ti-6Al-4V		Ti-6Al-4V

PERFORMANCE

Input Range				
Frequency Response (±3dB)				
Frequency Response (±5%)				
Resonant Frequency				
Sensitivity Differential, ±5% [1]				
Output Noise, Differential, Typ				
Non-Linearity, Max [2]				
Sensitivity Change with Excitation Voltage (6-22 Volts)				
Cross Axis Sensitivity				
Zero Measurand Output				

	±100	g	±490	m/s ²
	0-1400	Hz	0-1400	Hz
	0-1000	Hz	0-1000	Hz
	>3000	Hz	>3000	Hz
	5	mV/g	0.5	mV/m/s ²
	100	μg rms/√Hz	981	μm/s ² /√Hz
	1	% F.S	1	% F.S
	0.3	%	0.3	%
	< 3	%	< 3	%
	±50	mV	±50	mV

ENVIRONMENTAL

Maximum Mechanical Shock (0.1 ms)				
Bias Temperature Shift ,Max [3]				
Sensitivity Temperature Shift				
Operating Temperature Range				
Seal				

	5000	gpk	±19620	m/s ² peak
	111	(ppm of span)/°F	200	(ppm of span)/°C
	277	ppm/°F	500	ppm/°C
	-40 to +248	°F	-40 to +120	°C
	Hermetic		Hermetic	

ELECTRICAL

Output Common Mode Voltage ± VDC				
Output Impedence, Nom				
Operating Voltage [7]				
Operating Current, Max				
Change in Operating Current to Excitation Voltage				

	[4]		[4]	
	1225	Ω	1225	Ω
	±3 to ±11	VDC	±3 to ±11	VDC
	13	mA Dc	13	mA Dc
	0.25	mA/V	0.25	mA/V

This family also includes:

Model	Input Range (g)	Frequency response (Hz)	Sensitivity Differential, ±5% (mV/g)	Max.Shock (0.1ms)	Noise Differential (μg/√Hz)
7600B1	±5	0-400	100	2000	12
7600B2	±10	0-600	50	5000	18
7600B3	±25	0-900	20	5000	25
7600B4	±50	0-1200	10	5000	50
7600B6	±200	0-1750	2.5	5000	200

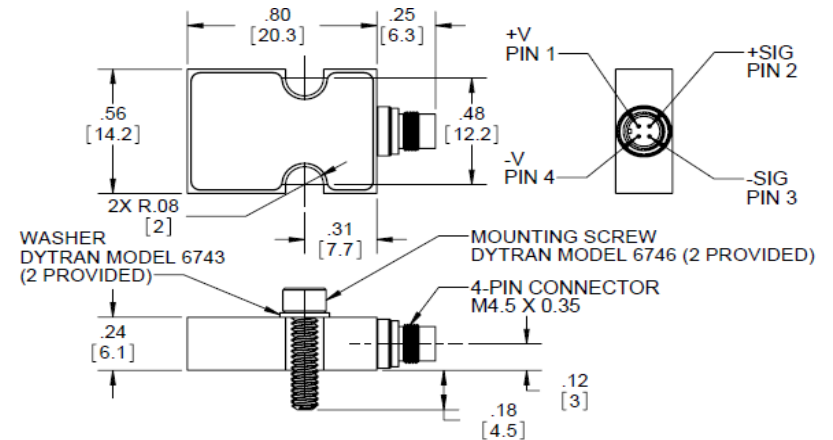
Please, refer to the performance specifications of the products in this family for detailed description

Supplied Accessories:

- 1) Accredited calibration certificate (ISO 17025)
- 2) Two mounting screws model # 6746
- 3) Two mounting washers model # 6743

Notes:

- [1] Single ended sensitivity is half of values shown
- [2] -90% to +90% of Full Scale
- [3] Over the rated temperature range
- [4] Bias voltage equal to (+ v - (-v)) / 2
- [5] Mating cable 6895A
- [6] In the interest of constant product improvement, we reserve the right to change specifications without notice.
- [7] +6.0 to +22.0 VDC in single supply operation with V- grounded.



Units on the line drawing are in inches. Refer to 127-7600B for more information.

