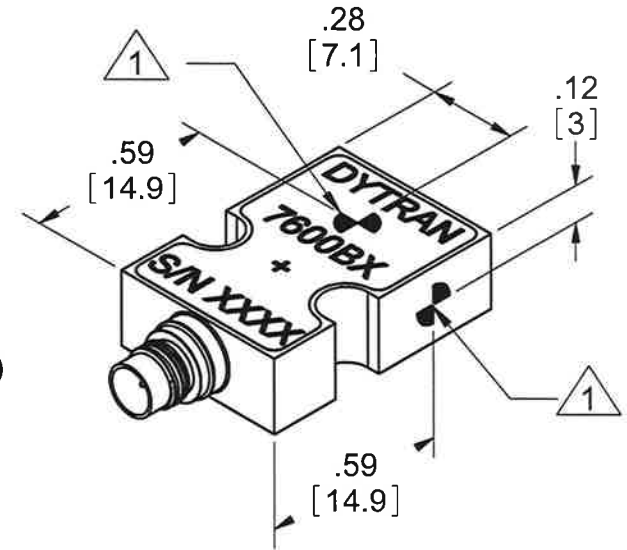
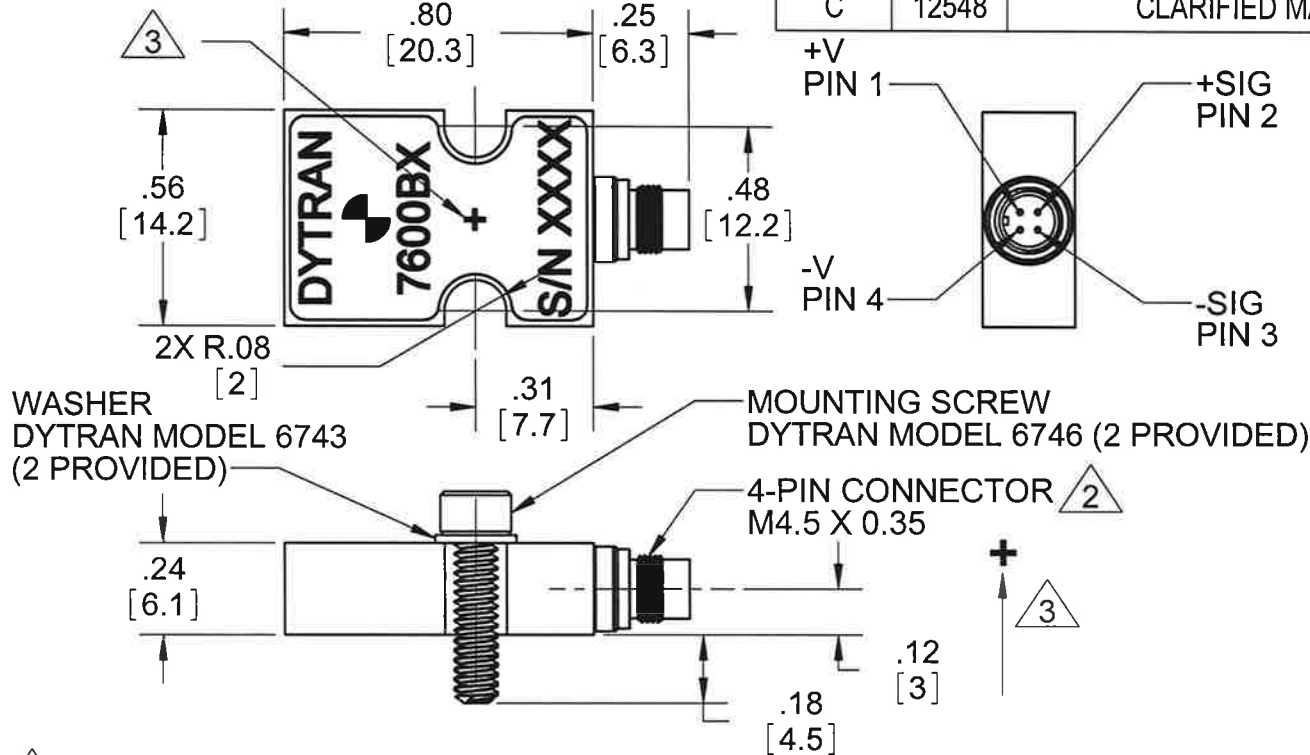


PROPRIETARY AND CONFIDENTIAL

THE INFORMATION CONTAINED IN THIS DRAWING IS THE SOLE PROPERTY OF DYTRAN INSTRUMENTS INC. ANY REPRODUCTION IN PART OR AS A WHOLE WITHOUT THE WRITTEN PERMISSION OF DYTRAN INSTRUMENTS INC. IS PROHIBITED

REVISIONS

REV	ECN	DESCRIPTION	BY/DATE	CHK	APPR
B	7348	SEE ECN	JS 01/25/11	EP	DV
C	12548	CLARIFIED MARKING	EM 03/17/16	RA	AS



MODEL	RANGE
7600B1	±5G
7600B2	±10G
7600B3	±25G
7600B4	±50G
7600B5	±100G
7600B6	±200G

- 3 ARROW & "+" INDICATES DIRECTION OF ACCELERATION FOR POSITIVE OUTPUT.
- 2 MATES WITH 6895AXX (XX= LENGTH IN FEET)
- 1 MARKING DENOTES LOCATION OF SENSING ELEMENT.

NOTES: UNLESS OTHERWISE SPECIFIED

UNLESS OTHERWISE SPECIFIED: INTERPRET DIM & TOL PER ASME Y14.5M - 1994. REMOVE BURRS. COUNTERSINK INTERNAL THDS 90° TO MAJOR DIA. CHAM EXT THDS 45° TO MINOR DIA. THD LENGTHS AND DEPTHS ARE FOR MIN FULL THDS. THDS PER MIL-S-7742. DIMENSIONS APPLY AFTER FINISHING.		UNLESS OTHERWISE SPECIFIED: DIMENSIONS ARE IN INCHES. DIMENSIONS IN BRACKETS [ ] ARE IN MILLIMETERS TOLERANCES ARE: INCHES    METRIC    ANGLES .XX ± .03    X ± 0.8    ± 1° .XXX ± 0.10    .XX ± 0.25	
7600BX USED ON    NEXT ASSY		MATERIAL	
APPLICATION THIRD ANGLE PROJECTION USA		FINISH	
ALL MACHINED SURFACES. TOTAL RUNOUT WITHIN .005. BREAK SHARP EDGES .005 TO .010. MACHINED FILLET RADII .005 TO .015. WELDING SYMBOLS PER AWS A2.4. ABBREVIATIONS PER MIL-STD-12.		DO NOT SCALE DRAWING	

CONTRACT NO.



TITLE:  
**OUTLINE/INSTALATION  
DRAWING, 7600B SERIES**

APPROVALS		DATE
ORIG	RA	10/07/09
CHK	EP	06/28/10
APP	DV	07/16/10
APP		

SIZE <b>A</b>	CAGE CODE <b>2W033</b>	DWG. NO. <b>127-7600B</b>	REV <b>C</b>
SCALE: 2:1		SOLIDWORKS	SHEET 1 OF 1



- POWER SUPPLY IDENTICAL TO STRAIN GAGE SENSORS
- VARIABLE CAPACITANCE ACCELEROMETER
- DIFFERENTIAL MODE
- HERMETICALLY SEALED
- DC RESPONSE

**PHYSICAL**

Weight, Max  
Size Length x Width x Height  
Connector Type  
Mounting  
Material

ENGLISH		SI	
0.1	oz	3.6	grams
.80 x .56 x .23	Inches	20.3 x 14.2 x 5.8	mm
4-PIN, M4.5 x 0.35 THD		4-PIN, M4.5 x 0.35 THD	
4-40 X 7/16 LG SHCS		4-40 X 7/16 LG SHCS	
Ti-6Al-4V		Ti-6Al-4V	

**PERFORMANCE**

Input Range  
Frequency Response (±3dB)  
Resonant Frequency  
Sensitivity Differential, ±5% [1]  
Output Noise, Differential Typ  
Non-Linearity, Max [2]  
Sensitivity Change with Excitation Voltage (6-22 Volts)  
Cross Axis Sensitivity  
Zero Measurand Output

±5	g	±49	m/s <sup>2</sup>
0-400	Hz	0-400	Hz
>3000	Hz	>3000	Hz
100	mV/g	10.2	mV/m/s <sup>2</sup>
12	μg rms/V Hz	118	μm/s <sup>2</sup> /V Hz
0.5	% F.S	0.5	% F.S
0.3	%	0.3	%
< 3	%	< 3	%
±50	mV	±50	mV

**ENVIRONMENTAL**

Maximum Mechanical Shock (0.1 ms)  
Bias Temperature Shift ,Max [3]  
Sensitivity Temperature Shift  
Operating Temperature Range  
Seal

2000	gpk	±19620	m/s <sup>2</sup> peak
111	(ppm of span)/°F	200	(ppm of span)/°C
277	ppm/°F	500	ppm/°C
-40 to +248	°F	-40 to +120	°C
Hermetic		Hermetic	

**ELECTRICAL**

Output Common Mode Voltage ± VDC  
Output Impedance, Nom  
Operating Voltage [7]  
Operating Current, Max  
Change in Operating Current to Excitation Voltage

[4]		[4]	
1225	Ω	1225	Ω
±3 to ±11	VDC	±3 to ±11	VDC
13	mA Dc	13	mA Dc
0.25	mA/V	0.25	mA/V

**This family also includes:**

Model	Input Range (g)	Frequency response (Hz)	Sensitivity Differential, ±5% (mV/g)	Max.Shock (0.1ms)	Noise Differential (μg/v/Hz)
7600B2	±10	0-600	50	5000	18
7600B3	±25	0-900	20	5000	25
7600B4	±50	0-1200	10	5000	50
7600B5	±100	0-1400	5	5000	100
7600B6	±200	0-1750	2.5	5000	200

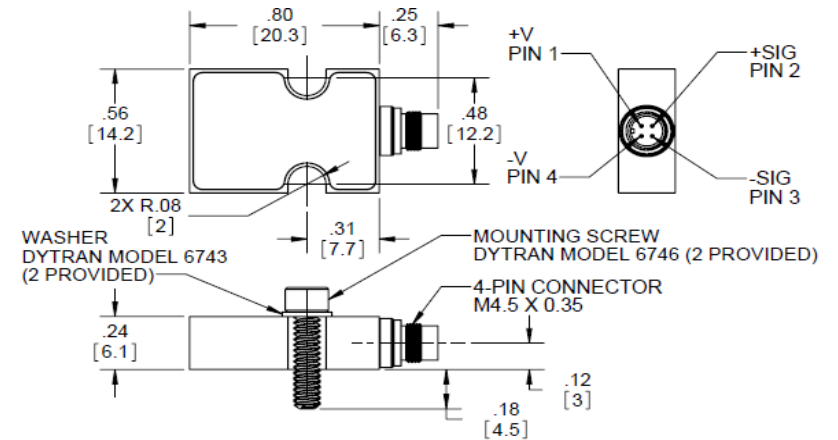
Please, refer to the performance specifications of the products in this family for detailed description

**Supplied Accessories:**

- 1) Accredited calibration certificate (ISO 17025)
- 2) Two mounting screws model # 6746
- 3) Two mounting washers model # 6743

**Notes:**

- [1] Single ended sensitivity is half of values shown
- [2] -90% to +90% of Full Scale
- [3] Over the rated temperature range
- [4] Bias voltage equal to (+ V- (-V)) / 2
- [5] Mating cable 6895A
- [6] In the interest of constant product improvement, we reserve the right to change specifications without notice.
- [7] +6.0 to +22.0 VDC in single supply operation with V- grounded.



Units on the line drawing are in inches. Refer to 127-7600B for more information.

