

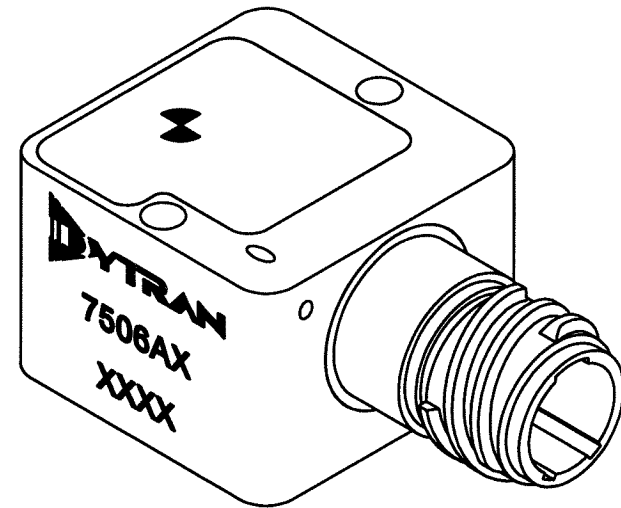
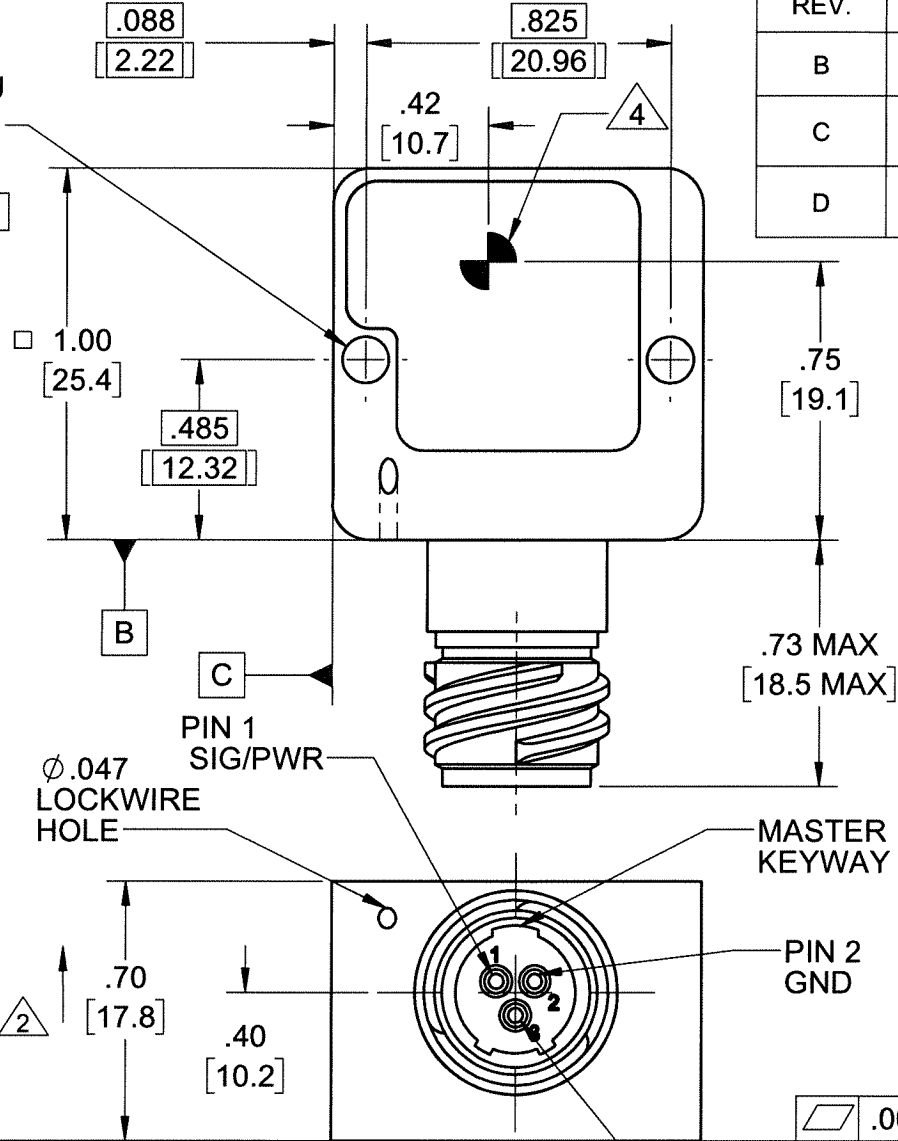
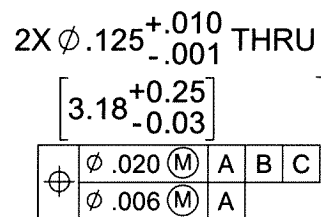
PROPRIETARY AND CONFIDENTIAL

THE INFORMATION CONTAINED IN THIS DRAWING IS THE SOLE PROPERTY OF DYTRAN INSTRUMENTS INC. ANY REPRODUCTION IN PART OR AS A WHOLE WITHOUT THE WRITTEN PERMISSION OF DYTRAN INSTRUMENTS INC. IS PROHIBITED

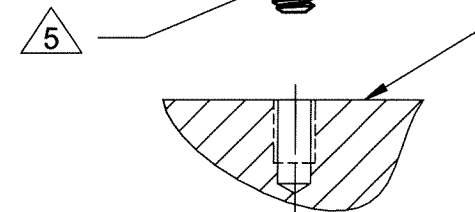
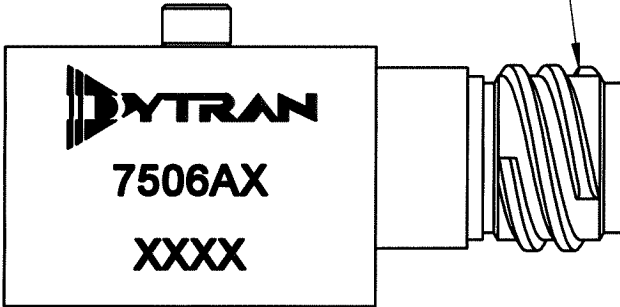
MODEL	SENSITIVITY
7506A1	100 $\mu$ A/g
7506A2	13 $\mu$ A/g

REVISIONS

REV.	ECN	DESCRIPTION	BY/DATE	CHK	APPR
B	11868	ADDED SUGGESTED HARDWARE AND MOUNTING PROVISION.	LA 03/31/15	DV	AS
C	12594	ADDED NOTE 6	JS 03/30/16	LA	AS
D	15579	ADVANCED REVISION FOR CONFIGURATION CONTROL	LN 02/03/20		



3 CONNECTOR, RECEPTACLE, 3-PIN, GLENAIR P/N: 805-006-13Z18-23PA



5 MOUNTING RECOMMENDATIONS: PREPARE MOUNTING SURFACE FLAT TO .001 TIR. TAP 4-40 UNC-2B  $\nabla$ .20 MIN. RECOMMENDED MOUNTING TORQUE 6-8LB-IN. FOR BEST FREQUENCY RESPONSE, MOUNTING SURFACE MUST CONTACT THE ENTIRE ACCELEROMETER MOUNTING SURFACE.

6. MINOR VOIDS, SCARS, SCRATCHES AND MOUNTING BLEMISH/WITNESS MARKS ON EXTERIOR SURFACES ARE ALLOWED DUE TO RESTRAINING AND HANDLING DURING TESTING, TRANSPORT OR PROCESSING. THESE APPEAR AS INDICATORS THAT DO NOT AFFECT FORM, FIT OR FUNCTION AS INTENDED BY DESIGN OR APPLICATION

- 5 SUGGESTED HARDWARE: 4-40 UNC-2A X .875, SHCS, 300 SERIES STAINLESS STEEL.
- 4 LOCATION OF SENSING ELEMENT
- 3 MATES WITH GLENAIR PLUG 805-001-16Z18-23SA AND 805-002-16Z18-23SA.
- 2 ARROW INDICATES ACCELERATION DIRECTION FOR POSITIVE OUTPUT

1. WEIGHT: 70 GRAMS MAX  
NOTES: UNLESS OTHERWISE SPECIFIED

UNLESS OTHERWISE SPECIFIED: INTERPRET DIM & TOL PER ASME Y14.5M - 1994. REMOVE BURRS. COUNTERSINK INTERNAL THDS 90° TO MAJOR DIA. CHAM EXT THDS 45° TO MINOR DIA. THD LENGTHS AND DEPTHS ARE FOR MIN FULL THDS. DIMENSIONS APPLY AFTER FINISHING.

ALL MACHINED SURFACES. TOTAL RUNOUT WITHIN .005. BREAK SHARP EDGES .005 TO .010. MACHINED FILLET RADII .005 TO .015. WELDING SYMBOLS PER AWS A2.4. ABBREVIATIONS PER MIL-STD-12.

DECIMALS		METRIC		ANGLES	
.XX ±.03	.X ±0.8			±1°	
.XXX ±.010	.XX ±0.25				

APPROVALS		DATE
ORIG	LN	11/25/14
CHK	DV	02/02/15
APP	RT	02/02/15

DO NOT SCALE DRAWING

THIRD ANGLE PROJECTION

UNLESS OTHERWISE SPECIFIED: DIMENSIONS ARE IN INCHES. DIMENSIONS IN BRACKETS [ ] ARE IN MILLIMETERS TOLERANCES ARE:

**DYTRAN INSTRUMENTS, INC.** Chatsworth, CA **MASTER COPY ONLY IF IN RED**

TITLE: **OUTLINE/INSTALLATION, CVLD ACCEL, 7506A1 & 7506A2**

SIZE	CAGE CODE	DWG NO	REV
<b>B</b>	<b>2W033</b>	<b>127-7506A1</b>	<b>D</b>

SCALE: 2:1 SHEET 1 OF 1



- VARIABLE CAPACITANCE ACCELEROMETER
- CURRENT OUTPUT
- HERMETICALLY SEALED
- DC RESPONSE
- 4-20 mA LOOP COMPATIBLE

**PHYSICAL**

Weight, Max  
Connector [2]  
Mounting  
Material

ENGLISH		SI	
2.5	oz	70	grams
Receptacle, 3-pin		Receptacle, 3-pin	
2 X Ø.125		2 X Ø.125	
304L		304L	

**PERFORMANCE**

Input Range  
Frequency Response (-3dB), ± 50Hz [1][5]  
Sensitivity Differential, ±10%  
Output Noise, Differential, Typ  
Non-Linearity, Max [4]  
Transverse Sensitivity, Max  
Scale Factor Calibration Error, Max  
Zero Measured Output

±50	g	±490	m/s <sup>2</sup>
0-300	Hz	0-300	Hz
100	µA/g	10.2	µA/m/s <sup>2</sup>
50	µg rms/V Hz	491	µ m/s <sup>2</sup> /V Hz
0.5	% F.S	0.5	% F.S
4	%	4	%
2	%	2	%
±50	mV	±50	mV

**ENVIRONMENTAL**

Maximum Mechanical Shock  
Bias Temperature Shift ,Max [3]  
Bias Calibration Error, Max  
Operating Temperature Range  
Scale Factor Temperature Shift [3]  
Seal

5000	gpk	49050	m/s <sup>2</sup> peak
56	(ppm of span)/°F	100	(ppm of span)/°C
0.5	% of span	0.5	% of span
-55 to +257	°F	-48 to +125	°C
-111 to 111	ppm/°F	-200 to 200	ppm/°C
Hermetic		Hermetic	

**ELECTRICAL**

Bias Current  
Output Impedance, Nom  
Operating Voltage  
Operating Voltage Rise Time  
Full Scale Output  
Power Supply Rejection Ratio

14-15	mA	14-15	mA
400	Ω	400	Ω
10-36	VDC	10-36	VDC
<2	ms	<2	ms
±5	mA	±5	mA
>65	dB	>65	dB

**This family also includes:**

Model	Input Range (g)	Frequency response (Hz)	Sensitivity Differential, ±10% (µA/g)	Max.Shock (gpk)	Noise Differential (µg rms/VHz)
7506A2	± 400	0-300	13	5000	400

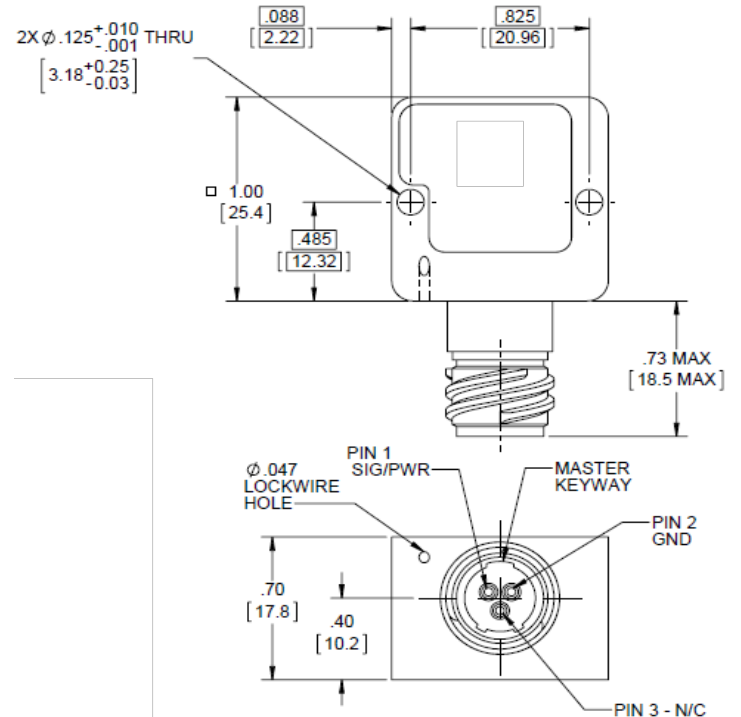
Refer to the performance specifications of the products in this family for detailed description.

**Supplied Accessories:**

- Accredited calibration certificate (ISO 17025)

**Notes:**

- Low pass first order filter, corner frequency at 300Hz.
- Glenair P/N 805-006-13Z18-23PA. Mates with 805-001-16Z18-23SA and 805-002-16Z18-23SA
- Over the rated temperature range.
- 90% to +90% of Full Scale.
- When measured with 50 Ohm sense resistor.



Units on the line drawing are in inches, dimensions in brackets [ ] are in millimeters. Refer to 127-7506A1 for more information.

