

PROPRIETARY AND CONFIDENTIAL

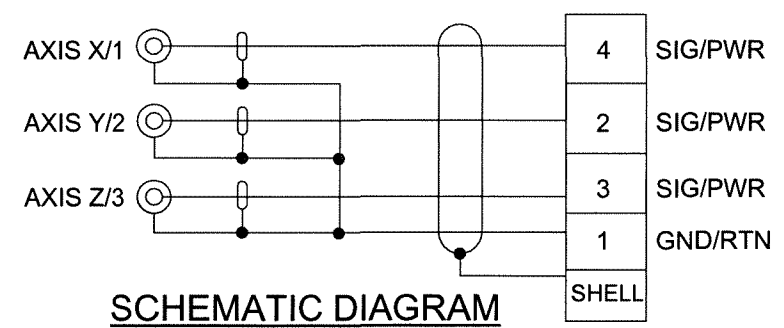
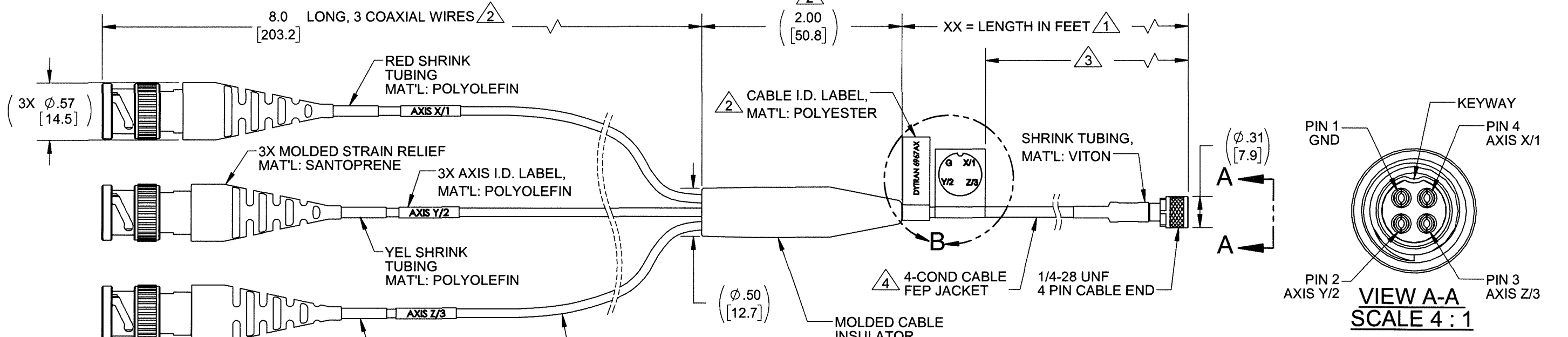
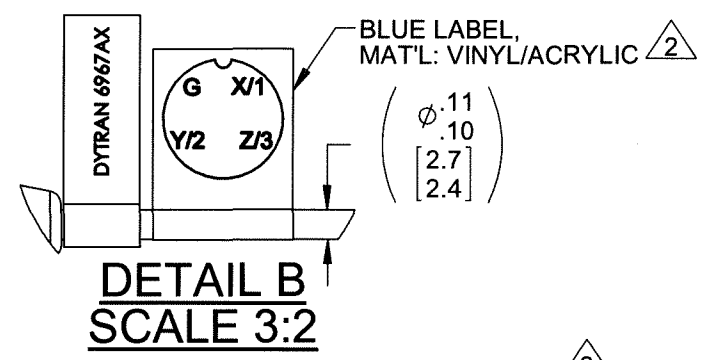
THE INFORMATION CONTAINED IN THIS DRAWING IS THE SOLE PROPERTY OF DYTRAN INSTRUMENTS INC. ANY REPRODUCTION IN PART OR AS A WHOLE WITHOUT THE WRITTEN PERMISSION OF DYTRAN INSTRUMENTS INC. IS PROHIBITED

1 CABLE LENGTH TOLERANCE

≤1FT	+1/ -0 IN
>1 FT - 5 FT	+2/ -0 IN
> 5 FT - 10 FT	+4/ -0 IN
>10 FT - 25FT	+6 / -0 IN
>25 FT	+5% / -0%

REVISIONS

REV.	ECN	DESCRIPTION	BY/DATE	CHK	APPR
C	14574	UPDATED VIEW A-A: IS: 120-0544-01 CONNECTOR WAS: 120-0292-01 CONNECTOR	AM 10/26/18	KG	LN
D	15349	ADDED CABLE AND MATERIAL SPECIFICATIONS	KG 10/03/19	KG	LN



4 4 CONDUCTOR, SHIELDED CABLE

CONDUCTORS	30 AWG 7/38 SILVER PLATED COPPER
WIRE TYPE	PFA INSULATION OD .024" ±.002"
SHIELD	SILVER PLATED COPPER BRAID, 90% MIN COVERAGE
JACKET	FEP, BLACK, .006/ .015 WALL
DIAMETER	.105 MAX
TEMP	-65 °C (-85 °F) TO +200 °C (+392 °F)
VOLTAGE	250 VOLTS

5 SINGLE CONDUCTOR SHIELDED CABLE

WIRE	30-7/38 SILVER PLATED COPPER
WIRE INSULATION	EXTRUDED PTFE, NATURAL, $\phi .033 \pm .002$
SHIELD	38 AWG SILVER PLATED COPPER BRAID, 95% MIN COVERAGE, $\phi .054$ NOM
JACKET	WHT PTFE WRAP .005-.010 WALL
DIAMETER	$\phi .074 \pm .006$
TEMP	200 DEG C WIRE RATED
VOLTAGE	2000 VAC
INDUCTANCE	.80 microH/FT
MINIMUM BEND RADIUS	.38 IN
CAPACITANCE (SHIELD TO CONDUCTOR)	32 pF/FT
IMPEDANCE	50 OHMS

- 5** SEE TABLE FOR CABLE SPECIFICATIONS.
 - 4** SEE TABLE FOR CABLE SPECIFICATIONS.
 - 3** OPERATING RANGE: -67 °F (-55 °C) TO 392 °F (200 °C).
 - 2** OPERATING RANGE: -67 °F (-55 °C) TO 230 °F (110 °C).
 - 1** XX = WILL VARY IN FEET PER CUSTOMER REQUIREMENTS, FOR EXAMPLE: 6967A10 = 10 FT CABLE LENGTH.
- NOTES: UNLESS OTHERWISE SPECIFIED

UNLESS OTHERWISE SPECIFIED: INTERPRET DIM & TOL PER ASME Y14.5M - 1994. REMOVE BURRS. COUNTERSINK INTERNAL THDS 90° TO MAJOR DIA. CHAM EXT THDS 45° TO MINOR DIA. THD LENGTHS AND DEPTHS ARE FOR MIN FULL THDS. DIMENSIONS APPLY AFTER FINISHING.

ALL MACHINED SURFACES. TOTAL RUNOUT WITHIN .005. BREAK SHARP EDGES .005 TO .010. MACHINED FILLET RADII .005 TO .015. WELDING SYMBOLS PER AWS A2.4. ABBREVIATIONS PER MIL-STD-12.

UNLESS OTHERWISE SPECIFIED: DIMENSIONS IN BRACKETS [] ARE IN MILLIMETERS TOLERANCES ARE:

DECIMALS	METRIC	ANGLES
.XX ±.03	.X ±.08	±1°
.XXX ±.010	.XX ±.025	

APPROVALS

ORIG	CHK	APP	DATE
JS	EP	ANS	04/21/11
			05/11/11
			05/12/11

DO NOT SCALE DRAWING

DYTRAN INSTRUMENTS, INC. Chatsworth, CA

MASTER ONLY IF IN RED

TITLE: **OUTLINE/INSTALLATION DRAWING, MINI 4 PIN TO (3) BNC, MODEL 6967A**

SIZE B	CAGE CODE 2W033	DWG NO 127-6967A	REV D
---------------	------------------------	-------------------------	--------------

SCALE: 1:1 SHEET 1 OF 1