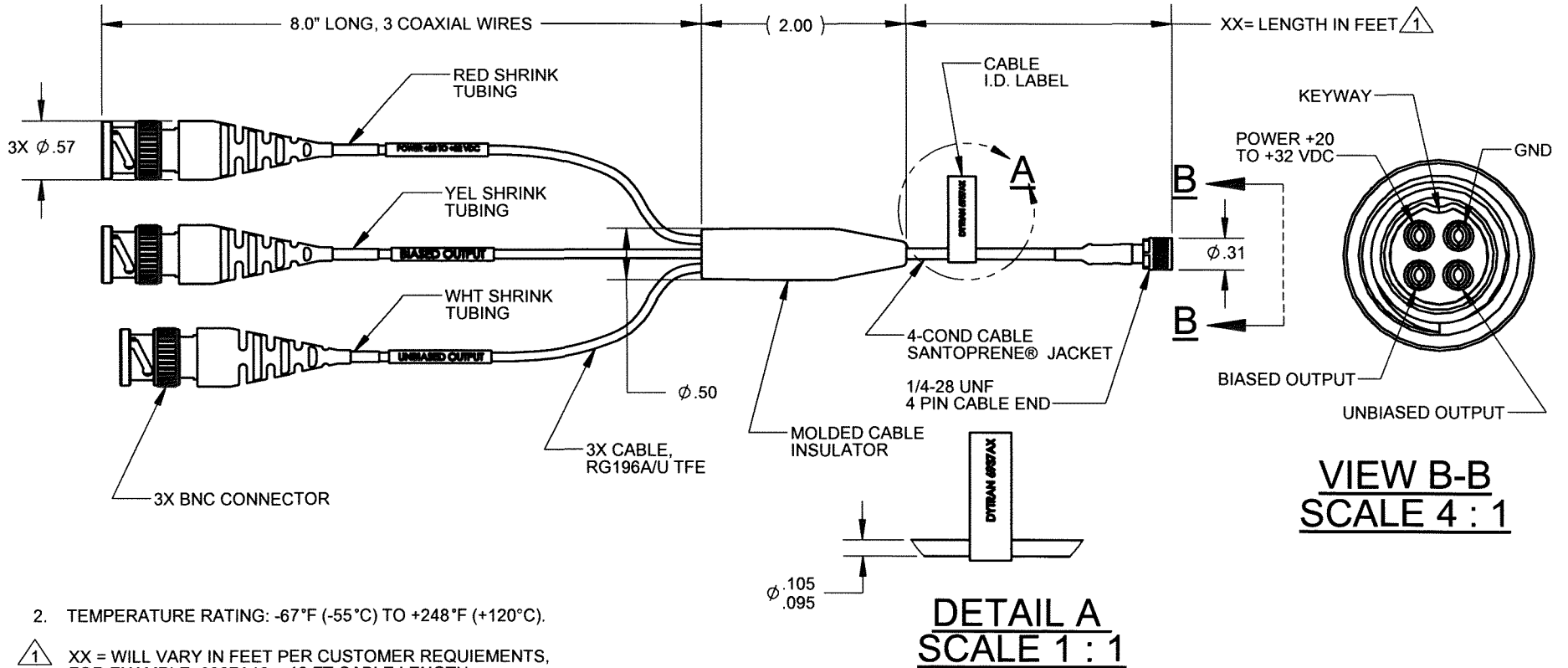


PROPRIETARY AND CONFIDENTIAL

THE INFORMATION CONTAINED IN THIS DRAWING IS THE SOLE PROPERTY OF DYTRAN INSTRUMENTS INC. ANY REPRODUCTION IN PART OR AS A WHOLE WITHOUT THE WRITTEN PERMISSION OF DYTRAN INSTRUMENTS INC. IS PROHIBITED

REVISIONS

REV	ECN	DESCRIPTION	BY/DATE	CHK	APPR
B	8823	UPDATED VIEW TO SHOW 120-0292-01 CONNECTOR	AB, 07/02/12	AS	EP
C	14574	UPDATED VIEW B-B TO SHOW 120-0544-01 CONNECTOR	AM, 10/19/18	KG	AS



- 2. TEMPERATURE RATING: -67°F (-55°C) TO +248°F (+120°C).
- 1 XX = WILL VARY IN FEET PER CUSTOMER REQUIEMENTS, FOR EXAMPLE: 6937A10 = 10 FT CABLE LENGTH.

NOTES: UNLESS OTHERWISE SPECIFIED.

6937AXX

USED ON NEXT ASSY

APPLICATION

THIRD ANGLE PROJECTION
USA

UNLESS OTHERWISE SPECIFIED:
INTERPRET DIM & TOL PER ASME Y14.5M - 1994.
REMOVE BURRS.
COUNTERSINK INTERNAL THDS 90° TO MAJOR DIA.
CHAM EXT THDS 45° TO MINOR DIA.
THD LENGTHS AND DEPTHS ARE FOR MIN FULL THDS.
THDS PER MIL-S-7742.
DIMENSIONS APPLY AFTER FINISHING.

63/

ALL MACHINED SURFACES.
TOTAL RUNOUT WITHIN .005.
BREAK SHARP EDGES .005 TO .010.
MACHINED FILLET RADII .005 TO .015.
WELDING SYMBOLS PER AWS A2.4.
ABBREVIATIONS PER MIL-STD-12.

UNLESS OTHERWISE SPECIFIED:
DIMENSIONS ARE IN INCHES.
DIMENSIONS IN BRACKETS [] ARE IN MILLIMETERS
TOLERANCES ARE:
INCHES METRIC ANGLES
.XX ± .03 .X ± 0.8 ± 1°
.XXX ± .010 .XX ± 0.25

MATERIAL

FINISH

DO NOT SCALE DRAWING

CONTRACT NO.

APPROVALS		DATE
ORIG	RA	07/28/10
CHK	AS	07/19/12
APP	EP	07/19/12
APP		

Chatsworth, CA

MASTER COPY ONLY IF IN RED

TITLE: **OUTLINE/INSTALLATION DRAWING, MINI 4 PIN TO (3) BNC, MODEL 6937A**

SIZE A	CAGE CODE 2W033	DWG. NO. 127-6937A	REV C
---------------	------------------------	---------------------------	--------------

SCALE: NONE SOLIDWORKS SHEET 1 OF 1