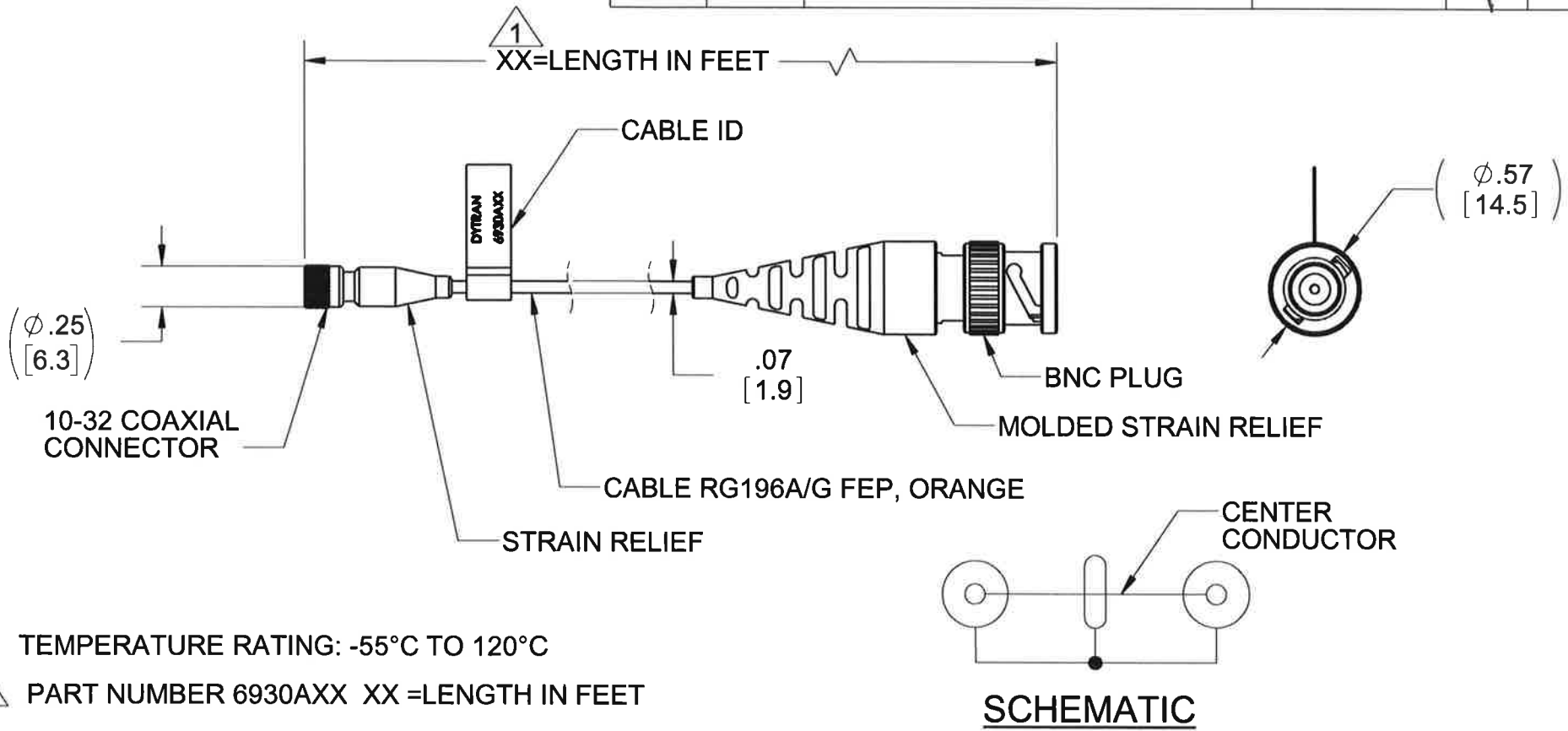


PROPRIETARY AND CONFIDENTIAL
 THE INFORMATION CONTAINED IN THIS DRAWING IS THE SOLE PROPERTY OF DYTRAN INSTRUMENTS INC. ANY REPRODUCTION IN PART OR AS A WHOLE WITHOUT THE WRITTEN PERMISSION OF DYTRAN INSTRUMENTS INC. IS PROHIBITED

REVISIONS				
REV	ECN	DESCRIPTION	BY/DATE	CHK APPR
A	6883	INITIAL RELEASE	RA, 06/21/10	EP DV
B	12586	10-32 COAXIAL CONNECTOR WAS: MINI 4-PIN CONNECTOR	LN 03/28/16	<i>[Signature]</i> AS



2. TEMPERATURE RATING: -55°C TO 120°C

1 PART NUMBER 6930AXX XX =LENGTH IN FEET

NOTES: UNLESS OTHERWISE SPECIFIED.

6930A	UNLESS OTHERWISE SPECIFIED: INTERPRET DIM & TOL PER ASME Y14.5M - 1994. REMOVE BURRS. COUNTERSINK INTERNAL THDS 90° TO MAJOR DIA. CHAM EXT THDS 45° TO MINOR DIA. THD LENGTHS AND DEPTHS ARE FOR MIN FULL THDS. THDS PER MIL-S-7742. DIMENSIONS APPLY AFTER FINISHING.
USED ON	NEXT ASSY
APPLICATION	
THIRD ANGLE PROJECTION USA	
ALL MACHINED SURFACES. TOTAL RUNOUT WITHIN .005. BREAK SHARP EDGES .005 TO .010. MACHINED FILLET RADII .005 TO .015. WELDING SYMBOLS PER AWS A2.4. ABBREVIATIONS PER MIL-STD-12.	

UNLESS OTHERWISE SPECIFIED: DIMENSIONS ARE IN INCHES. DIMENSIONS IN BRACKETS [] ARE IN MILLIMETERS TOLERANCES ARE: INCHES METRIC ANGLES .XX ± .03 .X ± 0.8 ± 1° .XXX ± .010 .XX ± 0.25		
MATERIAL		
FINISH		
DO NOT SCALE DRAWING		

CONTRACT NO.		
APPROVALS		DATE
ORIG	RA	06/18/10
CHK	EP	06/21/10
APP	DV	06/21/10
APP		

MASTER
 DYTRAN INSTRUMENTS, INC. Chatsworth, CA
 ONLY IF IN RED

TITLE: **OUTLINE/INSTALLATION, CABLE ASSY, 10-32 TO BNC PLUG, 6930A**

SIZE	CAGE CODE	DWG. NO.	REV
A	2W033	127-6930A	B

SCALE: NONE SOLIDWORKS SHEET 1 OF 1