

PROPRIETARY AND CONFIDENTIAL

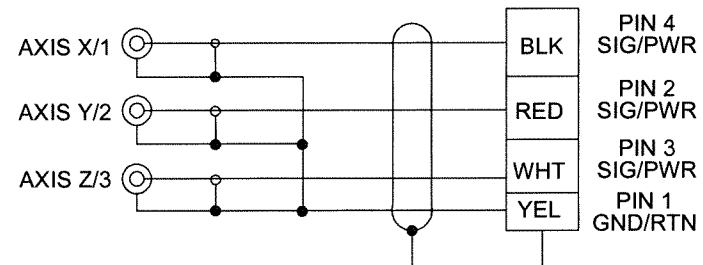
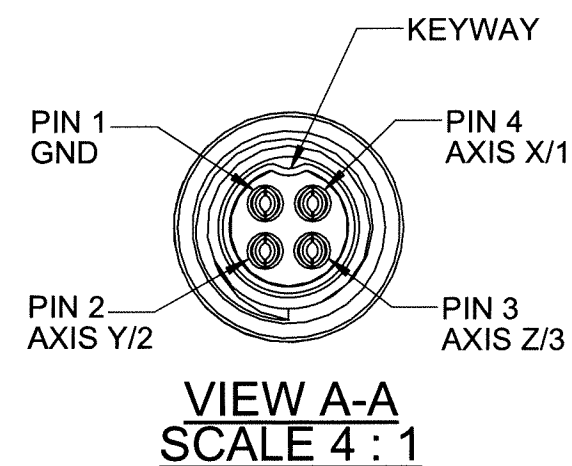
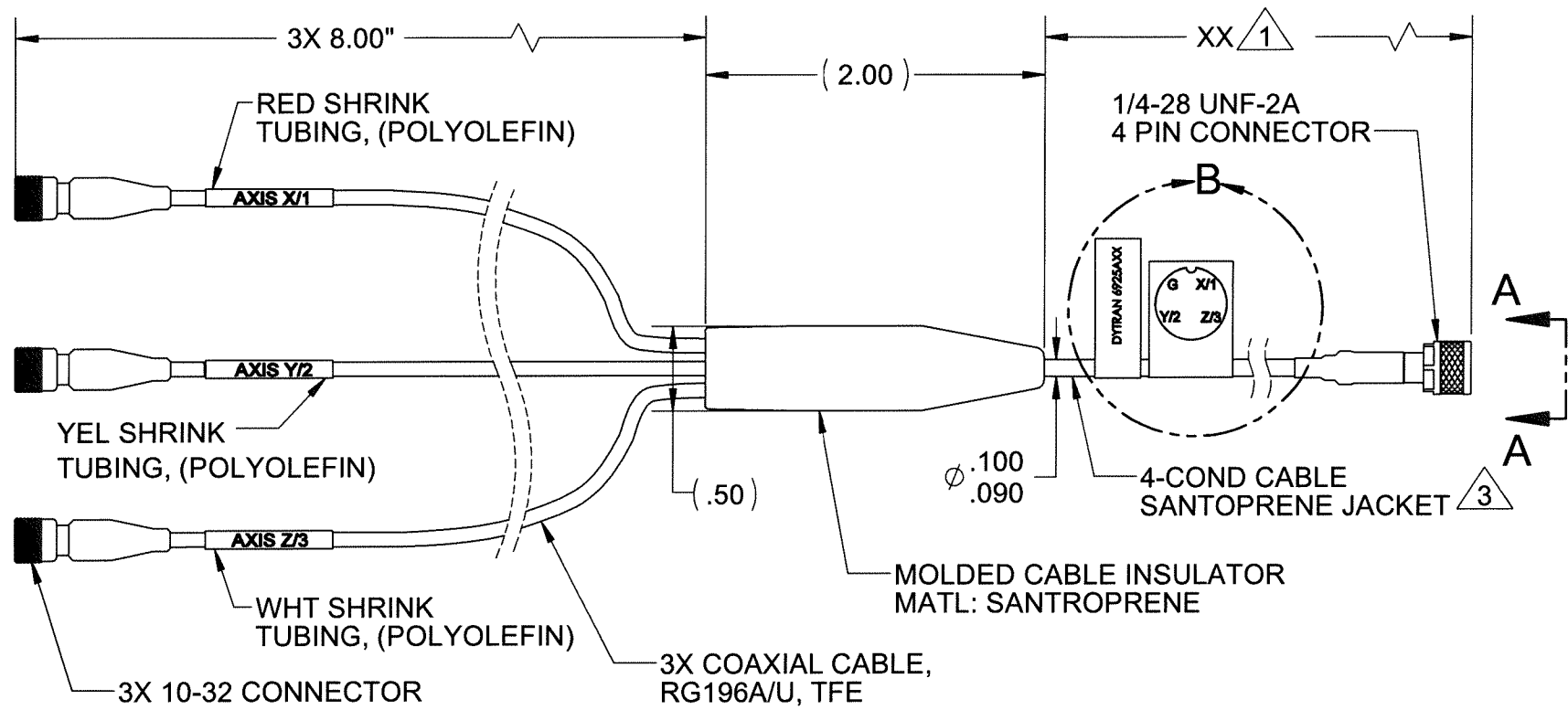
THE INFORMATION CONTAINED IN THIS DRAWING IS THE SOLE PROPERTY OF DYTRAN INSTRUMENTS INC. ANY REPRODUCTION IN PART OR AS A WHOLE WITHOUT THE WRITTEN PERMISSION OF DYTRAN INSTRUMENTS INC. IS PROHIBITED

1 CABLE LENGTH TOLERANCE

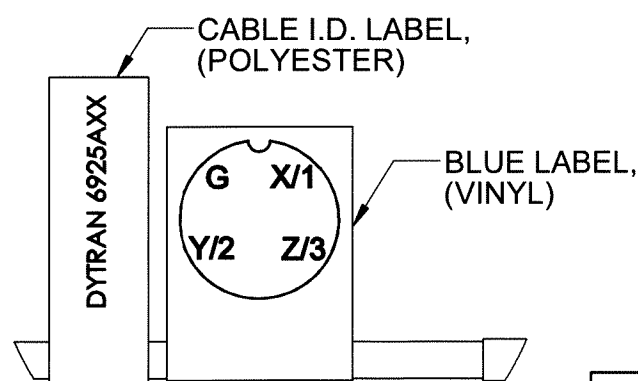
≤1FT	+1/ -0 IN
>1 FT - 5 FT	+2/ -0 IN
> 5 FT - 10 FT	+4/ -0 IN
>10 FT - 25FT	+6 / -0 IN
>25 FT	+5% / -0%

REVISIONS

REV.	ECN	DESCRIPTION	BY/DATE	CHK	APPR
A	6776	INITIAL RELEASE	JS 06/17/10	RA	DV
B	8953	REVISED VIEW OF 1/4-28 CONNECTOR, ADDED SCHEMATIC	JS 08/08/12	DV	RT
C	14573	SEE ECN	KG 10/18/18	W	EM



SCHEMATIC DIAGRAM



DETAIL B SCALE 1:1

3 4 CONDUCTOR, CABLE	
CONDUCTORS	30 AWG 7/38 TIN PLATED COPPER
SHIELD	TIN PLATED COPPER BRAID, 90% MIN COVERAGE
JACKET	SANTOPRENE, BLACK, .012/.015 WALL
DIAMETER	.105 MAX
TEMP	-55 ° C TO +120 ° C (-67 ° F TO +248 ° F)
VOLTAGE	600 VOLTS

UNLESS OTHERWISE SPECIFIED:
 INTERPRET DIM & TOL PER ASME Y14.5M - 1994.
 REMOVE BURRS.
 COUNTERSINK INTERNAL THDS 90° TO MAJOR DIA.
 CHAM EXT THDS 45° TO MINOR DIA.
 THD LENGTHS AND DEPTHS ARE FOR MIN FULL THDS.
 DIMENSIONS APPLY AFTER FINISHING.

ALL MACHINED SURFACES:
 TOTAL RUNOUT WITHIN .005.
 BREAK SHARP EDGES .005 TO .010.
 MACHINED FILLET RADII .005 TO .015.
 WELDING SYMBOLS PER AWS A2.4.
 ABBREVIATIONS PER MIL-STD-12.

UNLESS OTHERWISE SPECIFIED: DIMENSIONS ARE IN INCHES. DIMENSIONS IN BRACKETS ARE IN MILLIMETERS TOLERANCES ARE:		
DECIMALS	METRIC	ANGLES
.XX ±.03	X ± 0.8	±1°
.XXX ±.010	.XX ±0.25	

APPROVALS		DATE
ORIG	JS	05/18/10
CHK	RA	06/18/10
APP	DV	06/22/10

DO NOT SCALE DRAWING

DYTRAN INSTRUMENTS, INC. Chatsworth, CA

MASTER ONLY IF IN RED

TITLE: **OUTLINE/INSTALLATION DRAWING, MINI 4 PIN TO (3) COAXIAL**

SIZE	CAGE CODE	DWG NO	REV
B	2W033	127-6925A	C

SCALE: 1:1 SHEET 1 OF 1

- 3 SEE TABLE FOR CABLE SPECIFICATIONS.
2. TEMPERATURE RATING: -55 ° C (-67 ° F) TO +120 ° C (+248 ° F).
- 1 MODEL 6925AXX (XX DENOTES LENGTH IN FEET). SEE TABLE FOR LENGTH TOLERANCES.
- NOTES: UNLESS OTHERWISE SPECIFIED