

4

3

2

1

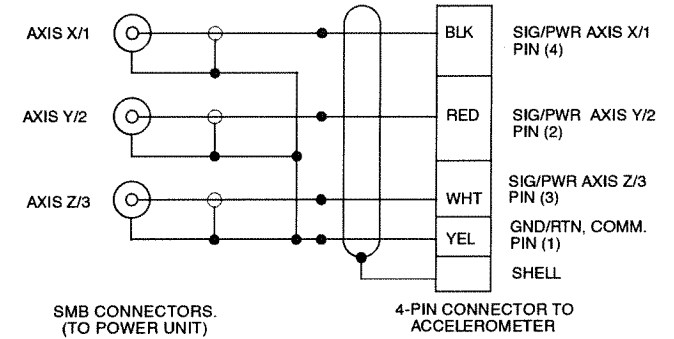
DWG NO 127-6873A SH 1 REV F

PROPRIETARY AND CONFIDENTIAL

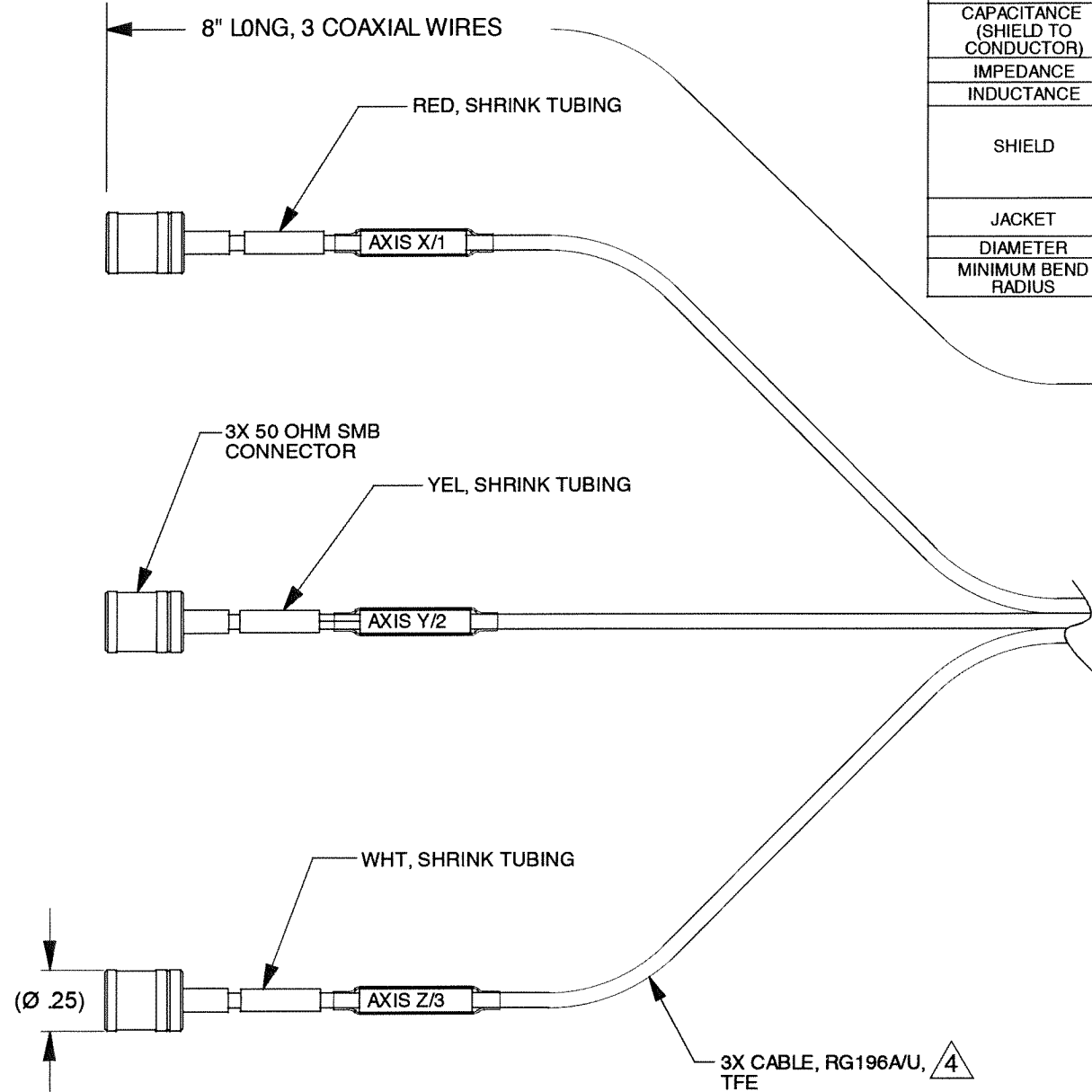
THE INFORMATION CONTAINED IN THIS DRAWING IS THE SOLE PROPERTY OF DYTRAN INSTRUMENTS INC. ANY REPRODUCTION IN PART OR AS A WHOLE WITHOUT THE WRITTEN PERMISSION OF DYTRAN INSTRUMENTS INC. IS PROHIBITED

4 SINGLE CONDUCTOR SHIELDED LOW NOISE CABLE	
AWG	30-7/38 SILVER PLATED COPPER
TEMP	200°C WIRE RATED
WITHSTANDING VOLTAGE	2000 VAC
CONDUCTOR INSULATION	EXTRUDED PTFE, NATURAL, Ø.033 ±.002
CAPACITANCE (SHIELD TO CONDUCTOR)	32 pF/FT
IMPEDANCE	50 OHMS
INDUCTANCE	.80 microH/FT
SHIELD	38 AWG SILVER PLATED COPPER BRAID, 95% MIN COVERAGE, Ø.054 NOM
JACKET	WHT PTFE WRAP .005 -.010 WALL
DIAMETER	Ø.074±.006
MINIMUM BEND RADIUS	1 IN

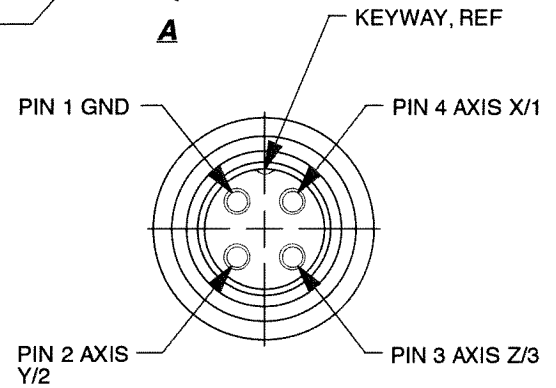
REVISIONS				
REV.	ECN	DESCRIPTION	BY/DATE	CHK APPR
F	14564	UPDATED CONNECTOR VIEW	DP 10/09/18	DS WN



SCHEMATIC DIAGRAM



3 4 CONDUCTOR, CABLE	
CONDUCTORS	30 AWG 7/38 TIN PLATED COPPER SILVER PLATED COPPER BRAID, 90% MIN COVERAGE
SHIELD	SANTOPRENE, .095/105 MAX O.D., COLOR BLACK
JACKET	SANTOPRENE, .095/105 MAX O.D., COLOR BLACK
PERFORMANCE	VOLTAGE RATING : 600 VOLTS, TEMPERATURE RATING: 200°C



VIEW A-A 2X SCALE

- 4 SEE SINGLE CONDUCTOR CABLE SPECIFICATION TABLE.
 - 3 SEE 4 CONDUCTOR CABLE SPECIFICATION TABLE.
 - 2. OPERATING RANGE: -4°F (-20°C) TO 194°F(90°C)
 - 1 PART NUMBER 6828AXX (XX DENOTES LENGTH IN FEET)
- NOTES: UNLESS OTHERWISE SPECIFIED

1 CABLE TOLERANCES			
ENGLISH		[METRIC]	
> 1 FT	+1/-0 IN	> 0.3 m	+25 mm -0 mm
>1 FT - 5 FT	+2/-0 IN	> 0.3 m - 1.5 m	+50 mm -0 mm
>5 FT - 10 FT	+4/-0 IN	>1.5 m - 3 m	+100 mm -0 mm
>10 FT - 25 FT	+6/-0 IN	> 3 m - 7.5 m	+150 mm -0 mm
>25 FT	+5%/-0%	> 7.5 m	+5%/-0%

UNLESS OTHERWISE SPECIFIED: INTERPRET DIM & TOL PER ASME Y14.5M - 1994. REMOVE BURRS. COUNTERSINK INTERNAL THDS 90° TO MAJOR DIA. CHAM EXT THDS 45° TO MINOR DIA. THD LENGTHS AND DEPTHS ARE FOR MIN FULL THDS. DIMENSIONS APPLY AFTER FINISHING.

ALL MACHINED SURFACES. TOTAL RUNOUT WITHIN .005. BREAK SHARP EDGES .005 TO .010. MACHINED FILLET RADII .005 TO .015. WELDING SYMBOLS PER AWS A2.4. ABBREVIATIONS PER MIL-STD-12.

UNLESS OTHERWISE SPECIFIED: DECIMALS XX ± .01 XXX ± .005		TOLERANCES ARE:		ANGLES ± 1°	
APPROVALS		DATE			
DRAWN	NC	07/07/08			
DESIGN	NC	07/07/08			
CHK	DV	07/07/08			
APP	DV	07/07/08			
DO NOT SCALE DRAWING		THIRD ANGLE PROJECTION			

DYTRAN INSTRUMENTS INC. MASTER ONLY IF IN RED

TITLE: **OUTLINE DRAWING, MINI 4 PIN TO (3) SMB, MODEL 6873A**

SIZE B	CAGE CODE 2W033	DWG NO 127-6873A	REV F
--------	-----------------	------------------	-------

SCALE: SHEET 1 OF 1

4

3

2

1

1

1