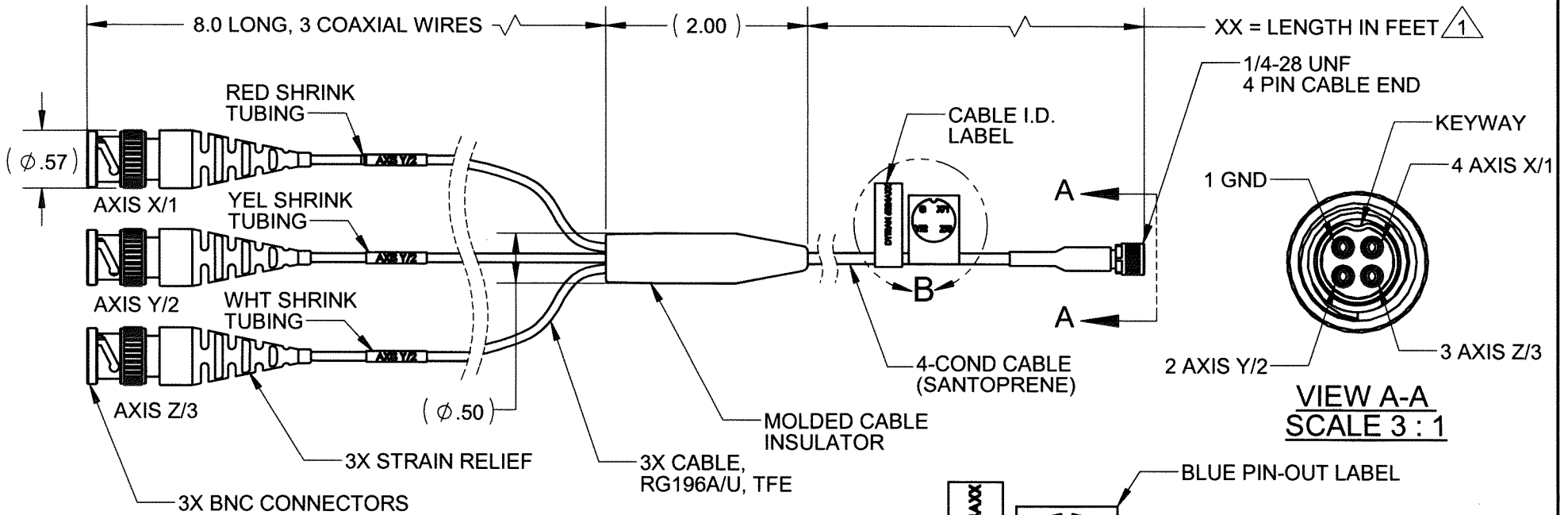


PROPRIETARY AND CONFIDENTIAL

THE INFORMATION CONTAINED IN THIS DRAWING IS THE SOLE PROPERTY OF DYTRAN INSTRUMENTS INC. ANY REPRODUCTION IN PART OR AS A WHOLE WITHOUT THE WRITTEN PERMISSION OF DYTRAN INSTRUMENTS INC. IS PROHIBITED

REVISIONS

REV	ECN	DESCRIPTION	BY/DATE	CHK	APPR
F	14537	UPDATED VIEW OF CONNECTOR	DP 09/27/18	KG	LD



2. TEMPERATURE RATING: -55°C TO 120°C

1 XX=WILL VARY IN FEET PER CUSTOMER REQUIREMENTS, FOR EXAMPLE: 6824A10 = 10 FT CABLE LENGTH.

NOTES: UNLESS OTHERWISE SPECIFIED

6824AXX	USED ON	NEXT ASSY
APPLICATION		
THIRD ANGLE PROJECTION USA		

UNLESS OTHERWISE SPECIFIED:
 INTERPRET DIM & TOL PER ASME Y14.5M - 1994.
 REMOVE BURRS.
 COUNTERSINK INTERNAL THDS 90° TO MAJOR DIA.
 CHAM EXT THDS 45° TO MINOR DIA.
 THD LENGTHS AND DEPTHS ARE FOR MIN FULL THDS.
 THDS PER MIL-S-7742.
 DIMENSIONS APPLY AFTER FINISHING.

ALL MACHINED SURFACES. ⁶³✓
 TOTAL RUNOUT WITHIN .005.
 BREAK SHARP EDGES .005 TO .010.
 MACHINED FILLET RADII .005 TO .015.
 WELDING SYMBOLS PER AWS A2.4.
 ABBREVIATIONS PER MIL-STD-12.

UNLESS OTHERWISE SPECIFIED:
 DIMENSIONS ARE IN INCHES.
 TOLERANCES ARE:
 INCHES
 .XX ± .25

MATERIAL

FINISH

DO NOT SCALE DRAWING

CONTRACT NO.

APPROVALS		DATE
ORIG	RA	01/20/04
CHK	MPH	12/20/06
APP	CES	12/20/06
APP		

DYTRAN INSTRUMENTS, INC. **MASTER ONLY IF IN RED**
 Chatsworth, CA

TITLE: **OUTLINE/INSTALLATION DRAWING, MINI 4 PIN TO (3) BNC, MODEL 6824A**

SIZE A	CAGE CODE 2W033	DWG. NO. 127-6824A	REV F
SCALE: 1:2		SOLIDWORKS	SHEET 1 OF 1