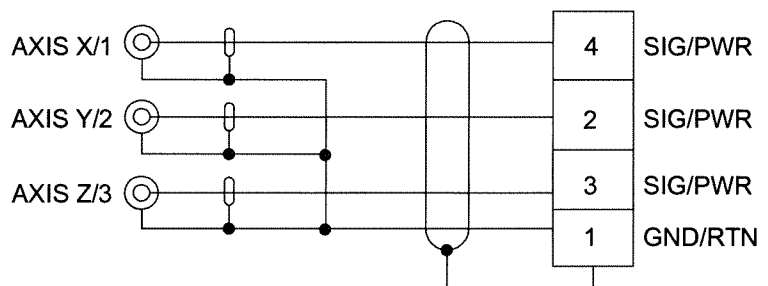
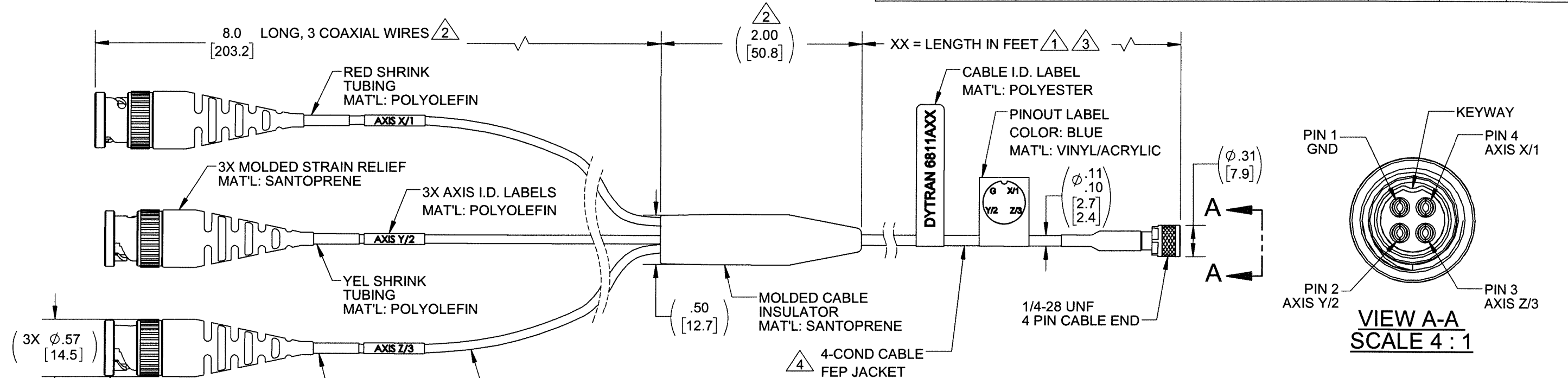


PROPRIETARY AND CONFIDENTIAL

THE INFORMATION CONTAINED IN THIS DRAWING IS THE SOLE PROPERTY OF DYTRAN INSTRUMENTS INC. ANY REPRODUCTION IN PART OR AS A WHOLE WITHOUT THE WRITTEN PERMISSION OF DYTRAN INSTRUMENTS INC. IS PROHIBITED

1 CABLE LENGTH TOLERANCE	
≤1FT	+1/ -0 IN
>1 FT - 5 FT	+2/ -0 IN
> 5 FT - 10 FT	+4/ -0 IN
>10 FT - 25FT	+6 / -0 IN
>25 FT	+5% / -0%

REVISIONS					
REV.	ECN	DESCRIPTION	BY/DATE	CHK	APPR
M	12443	ADDED SCHEMATIC	LA 01/20/16	LN	AS
N	14535	REVISED CONNECTOR DETAIL	RA 09/24/18	EM	LN
P	15349	CONVERTED TO SOLIDWORKS. ADDED CABLE AND MATERIAL SPECIFICATIONS.	KG 10/04/19	[Signature]	[Signature]



SCHEMATIC DIAGRAM

4 4 CONDUCTOR, SHIELDED CABLE	
CONDUCTORS	30 AWG 7/38 SILVER PLATED COPPER
WIRE TYPE	PFA INSULATION OD .024" ±.002"
SHIELD	SILVER PLATED COPPER BRAID, 90% MIN COVERAGE
JACKET	FEP, BLACK, .006/.015 WALL
DIAMETER	.105 MAX
TEMP	-65 °C (-85 °F) TO +200 °C (+392 °F)
VOLTAGE	250 VOLTS

5 SINGLE CONDUCTOR SHIELDED CABLE	
WIRE	30-7/38 SILVER PLATED COPPER
WIRE INSULATION	EXTRUDED PTFE, NATURAL, Ø.033 ±.002
SHIELD	38 AWG SILVER PLATED COPPER BRAID, 95% MIN COVERAGE, Ø.054 NOM
JACKET	WHT PTFE WRAP .005-.010 WALL
DIAMETER	Ø.074±.006
TEMP	200 DEG C WIRE RATED
VOLTAGE	2000 VAC
INDUCTANCE	.80 microH/FT
MINIMUM BEND RADIUS	.38 IN
CAPACITANCE (SHIELD TO CONDUCTOR)	32 pF/FT
IMPEDANCE	50 OHMS

- 5 SEE TABLE FOR CABLE SPECIFICATIONS.
- 4 SEE TABLE FOR CABLE SPECIFICATIONS.
- 3 OPERATING RANGE: -67 °F (-55 °C) TO 275 °F (135 °C).
- 2 OPERATING RANGE: -67 °F (-55 °C) TO 230 °F (110 °C).
- 1 XX = WILL VARY IN FEET PER CUSTOMER REQUIREMENTS, FOR EXAMPLE: 6811A07 = 7 FT CABLE LENGTH.

NOTES: UNLESS OTHERWISE SPECIFIED

UNLESS OTHERWISE SPECIFIED:
 INTERPRET DIM & TOL PER ASME Y14.5M - 1994.
 REMOVE BURRS.
 COUNTERSINK INTERNAL THDS 90° TO MAJOR DIA.
 CHAM EXT THDS 45° TO MINOR DIA. THD LENGTHS AND DEPTHS ARE FOR MIN FULL THDS.
 DIMENSIONS APPLY AFTER FINISHING.

ALL MACHINED SURFACES:
 TOTAL RUNOUT WITHIN .005.
 BREAK SHARP EDGES .005 TO .010.
 MACHINED FILLET RADII .005 TO .015.
 WELDING SYMBOLS PER AWS A2.4.
 ABBREVIATIONS PER MIL-STD-12.

UNLESS OTHERWISE SPECIFIED: DIMENSIONS IN BRACKETS [] ARE IN MILLIMETERS TOLERANCES ARE:		
DECIMALS	METRIC	ANGLES
.XX ±.03	.X ±0.8	±1°
.XXX ±.010	.XX ±0.25	
APPROVALS		DATE
ORIG	RA	05/21/02
CHK	NC	05/21/02
APP	CES	12/20/06
DO NOT SCALE DRAWING		

DYTRAN INSTRUMENTS, INC. Chatsworth, CA

MASTER ONLY IF IN RED

TITLE: **OUTLINE/INSTALLATION DRAWING, CABLE ASSEMBLY, MINI 4 PIN, PLUG TO (3) BNC**

SIZE	CAGE CODE	DWG NO	REV
B	2W033	127-6811A	P

SCALE: 1:1 SHEET 1 OF 1