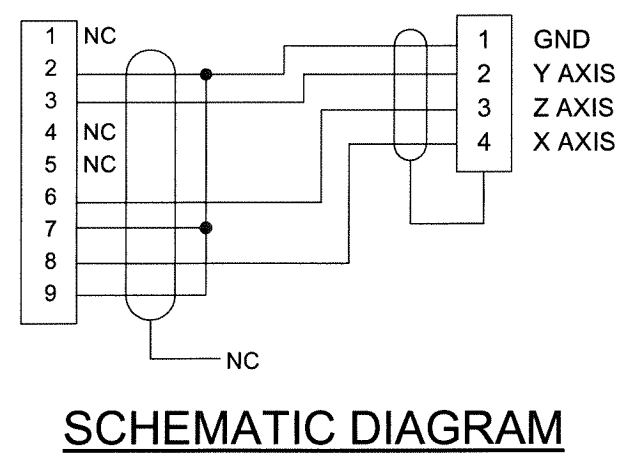
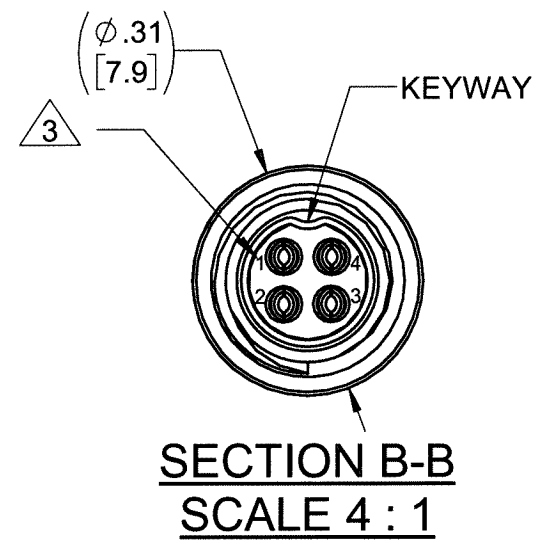
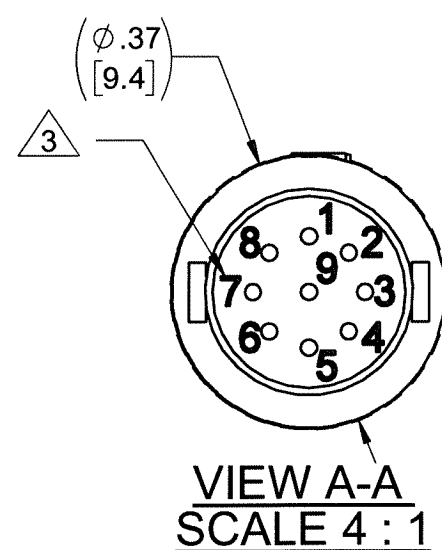
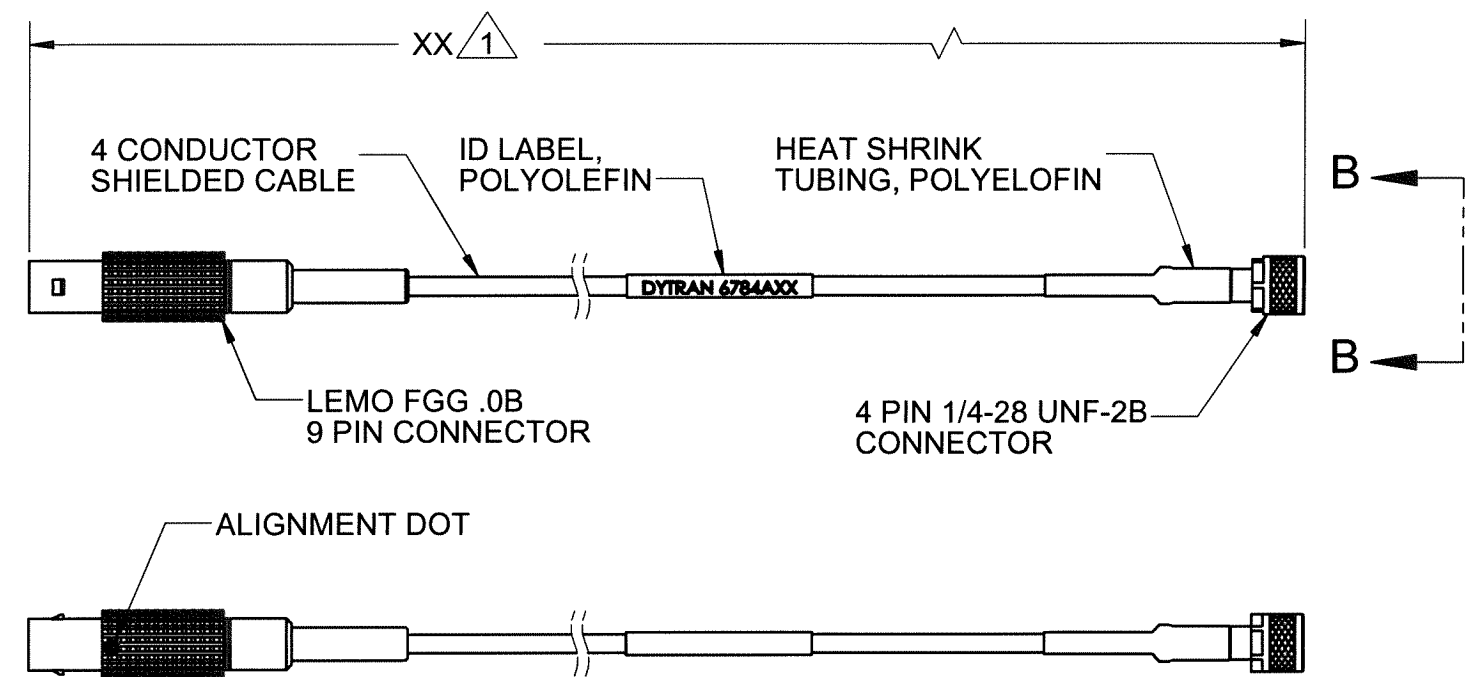


PROPRIETARY AND CONFIDENTIAL
 THE INFORMATION CONTAINED IN THIS DRAWING IS THE SOLE PROPERTY OF DYTRAN INSTRUMENTS INC. ANY REPRODUCTION IN PART OR AS A WHOLE WITHOUT THE WRITTEN PERMISSION OF DYTRAN INSTRUMENTS INC. IS PROHIBITED

REVISIONS					
REV	ECN	DESCRIPTION	BY/DATE	CHK	APPR
B	12758	UPDATED VIEW OF LEMO CONNECTOR VIEW A-A	NDC 07/13/16	LN	AS
C	14553	SEE ECN	KG 10/01/18	DP	low

1 CABLE LENGTH TOLERANCE	
≤1FT	+1/ -0 IN
>1 FT - 5 FT	+2/ -0 IN
> 5 FT - 10 FT	+4/ -0 IN
>10 FT - 25FT	+6 / -0 IN
>25 FT	+5% / -0%



4 4 CONDUCTOR SHIELDED CABLE	
VOLTAGE	250 VOLTS
TEMPERATURE	200 °C
JACKET	FEP, COLOR BLACK
SHIELDING	SILVER PLATED COPPER
CONDUCTORS	30 AWG 7/38 SILVER PLATED COPPER
CABLING	M27500-1/2"
FILLER	NONE
DIAMETER	MIN .095/.105 MAX

- 4 SEE TABLE FOR CABLE SPECIFICATIONS.
 - 3 PIN NUMBERS SHOWN ARE FOR REFERENCE ONLY AND DO NOT APPEAR ON ACTUAL PART
 - 2. TEMPERATURE RATING -67°F (-55°C) TO +230°F (+110°C)
 - 1 PART NO. 6784AXX, XX DENOTES LENGTH IN FEET. SEE TABLE FOR LENGTH TOLERANCES.
- NOTES: UNLESS OTHERWISE SPECIFIED

UNLESS OTHERWISE SPECIFIED:
 INTERPRET DIM & TOL PER ASME Y14.5M - 1994.
 REMOVE BURRS.
 COUNTERSINK INTERNAL THDS 90° TO MAJOR DIA.
 CHAM EXT THDS 45° TO MINOR DIA.
 THD LENGTHS AND DEPTHS ARE FOR MIN FULL THDS.
 DIMENSIONS APPLY AFTER FINISHING.

UNLESS OTHERWISE SPECIFIED:
 DIMENSIONS ARE IN INCHES.
 DIMENSIONS IN BRACKETS [] ARE IN MILLIMETERS TOLERANCES ARE:

DECIMALS	METRIC	ANGLES
.XX ±.03	.X ± 0.8	±1°
.XXX ±.010	.XX ±0.25	

APPROVALS DATE

ORIG	JS	05/29/14
CHK	LA	02/13/15
APP	LN	02/16/15

ALL MACHINED SURFACES.
 TOTAL RUNOUT WITHIN .005.
 BREAK SHARP EDGES .005 TO .010.
 MACHINED FILLET RADII .005 TO .015.
 WELDING SYMBOLS PER AWS A2.4.
 ABBREVIATIONS PER MIL-STD-12.

THIRD ANGLE PROJECTION USA

DO NOT SCALE DRAWING

MASTER COPY ONLY IF IN RED
 DYTRAN INSTRUMENTS, INC. Chatsworth, CA

TITLE: **OUTLINE/INSTALLATION DRAWING, 6784A**

SIZE	CAGE CODE	DWG NO	REV
B	2W033	127-6784A	C

SCALE: NONE SHEET 1 OF 1