

PROPRIETARY AND CONFIDENTIAL

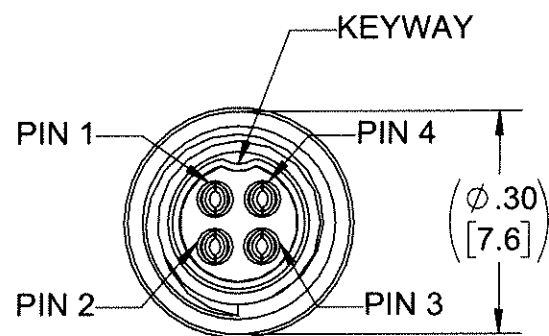
THE INFORMATION CONTAINED IN THIS DRAWING IS THE SOLE PROPERTY OF DYTRAN INSTRUMENTS INC. ANY REPRODUCTION IN PART OR AS A WHOLE WITHOUT THE WRITTEN PERMISSION OF DYTRAN INSTRUMENTS INC. IS PROHIBITED

REVISIONS

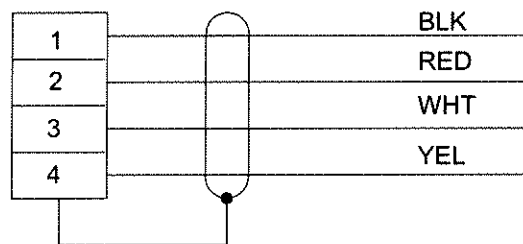
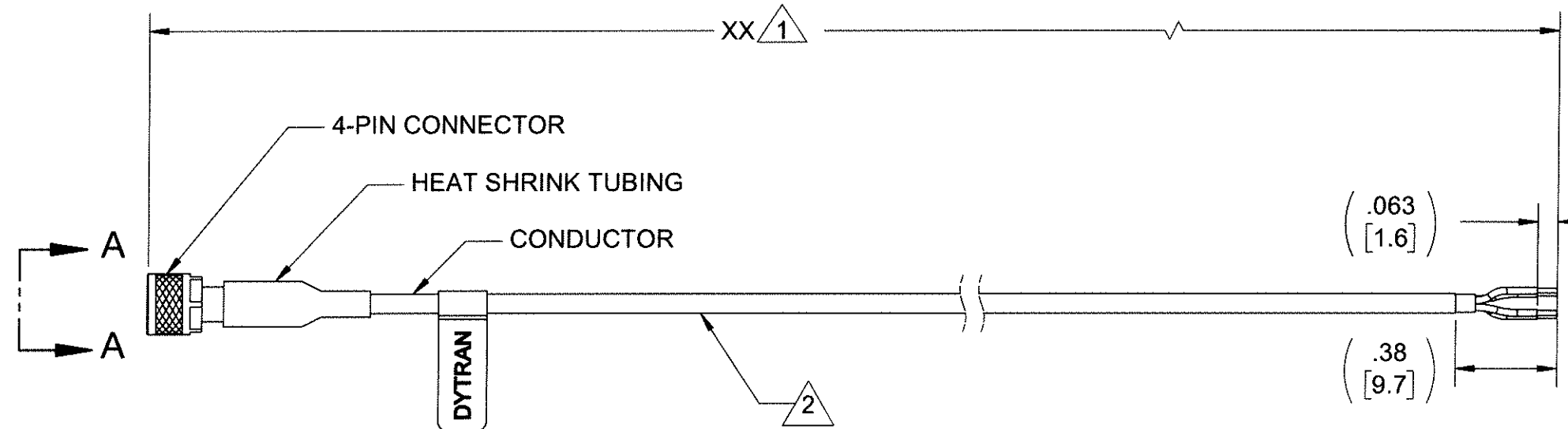
REV.	ECN	DESCRIPTION	BY/DATE	CHK	APPR
B	14561	REVISE VIEW OF CONNECTOR	DA, 09/28/18	PA	WS

1 CABLE LENGTH TOLERANCE

≤1FT	+1/ -0 IN
>1 FT - 5 FT	+2/ -0 IN
> 5 FT - 10 FT	+4/ -0 IN
>10 FT - 25FT	+6 / -0 IN
>25 FT	+5% / -0%



SECTION A-A SCALE 4:1



SCHEMATIC DIAGRAM

4 4 CONDUCTOR, SHIELDED CABLE	
CONDUCTORS	30 AWG 7/38 SILVER PLATED COPPER
WIRE TYPE	PFA INSULATION OD .024" ±.002"
SHIELD	SILVER PLATED COPPER BRAID, 90% MIN COVERAGE
JACKET	FEP, BLACK, .006/.015 WALL
DIAMETER	.105 MAX
TEMP	-65 °C (-85 °F) TO +200 °C (+392 °F)
VOLTAGE	250 VOLTS

UNLESS OTHERWISE SPECIFIED:
 INTERPRET DIM & TOL PER ASME Y14.5M - 1994.
 REMOVE BURRS.
 COUNTERSINK INTERNAL THDS 90° TO MAJOR DIA.
 CHAM EXT THDS 45° TO MINOR DIA.
 THD LENGTHS AND DEPTHS ARE FOR MIN FULL THDS.
 DIMENSIONS APPLY AFTER FINISHING.

ALL MACHINED SURFACES: ⁶³
 TOTAL RUNOUT WITHIN .005.
 BREAK SHARP EDGES .005 TO .010.
 MACHINED FILLET RADII .005 TO .015.
 WELDING SYMBOLS PER AWS A2.4.
 ABBREVIATIONS PER MIL-STD-12.

UNLESS OTHERWISE SPECIFIED:
 DIMENSIONS ARE IN INCHES.
 DIMENSIONS IN BRACKETS [] ARE IN MILLIMETERS TOLERANCES ARE:

DECIMALS	METRIC	ANGLES
.XX ±.03	X ± 0.8	±1°
.XXX ±.010	.XX ±0.25	

APPROVALS		DATE
ORIG	RA	10/25/02
CHK	NC	10/25/02
APP	EP	10/25/02



TITLE: OUTLINE/INSTALLATION DRAWING, MODEL 6451A			
SIZE B	CAGE CODE 2W033	DWG NO 127-6451A	REV B
SCALE: 1:2		SHEET 1 OF 1	

3. OPERATING TEMPERATURE RANGE: -268°C to +260°C (-450°F TO +500°F)

2 SEE TABLE FOR CABLE SPECIFICATIONS.

1 PART NUMBER 6451AXX (XX DENOTES LENGTH IN FEET).

NOTES: UNLESS OTHERWISE SPECIFIED