

PROPRIETARY AND CONFIDENTIAL

THE INFORMATION CONTAINED IN THIS DRAWING IS THE SOLE PROPERTY OF DYTRAN INSTRUMENTS INC. ANY REPRODUCTION IN PART OR AS A WHOLE WITHOUT THE WRITTEN PERMISSION OF DYTRAN INSTRUMENTS INC. IS PROHIBITED

1 CABLE LENGTH TOLERANCE

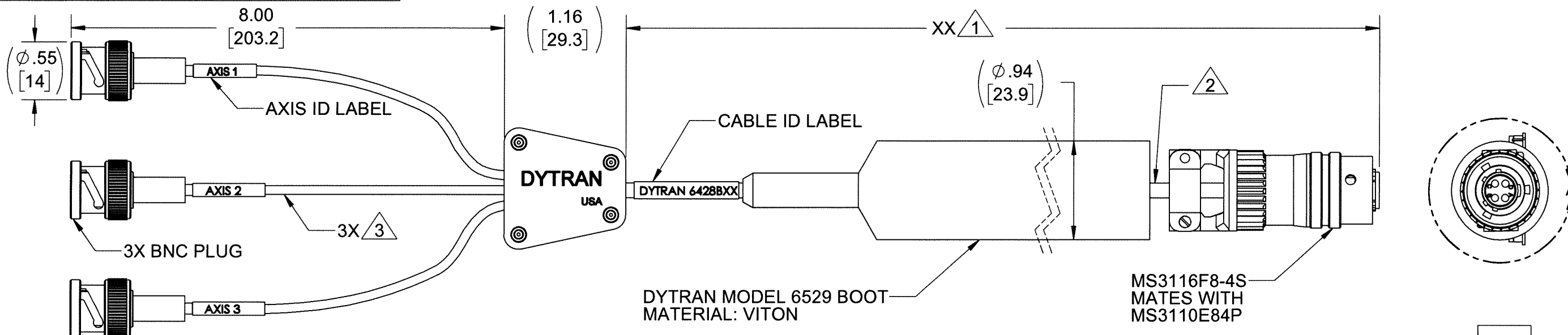
ENGLISH		[METRIC]	
≤1FT	+1/ -0 IN	≤0.3m	+25mm -0mm
>1 FT - 5 FT	+2/ -0 IN	.0.3 m-1.5m	+50mm -0mm
> 5 FT - 10 FT	+4/ -0 IN	>1.5m-3m	+100mm -0mm
>10 FT - 25FT	+6 / -0 IN	>3m-7.5m	+150mm -0mm
>25 FT	+5% / -0%	>7.5m	+5%/-0%

2 4 CONDUCTOR SHIELDED CABLE

OPERATING TEMPERATURE	-4°F(-20°C) TO 194°F(+90°C)
OUTSIDE DIAMETER NOM	.240 ±.011
JACKET MATERIAL	PLOYURETHANE
SHIELD MATERIAL	ALUMINUM/MYLAR TAPE
INSULATION MATERIAL	FHDPE
VOLTAGE RATING	300V
BEND RADIUS	10 X CABLE DIAMETER
CONDUCTORS	20 (7/28) AWG TC

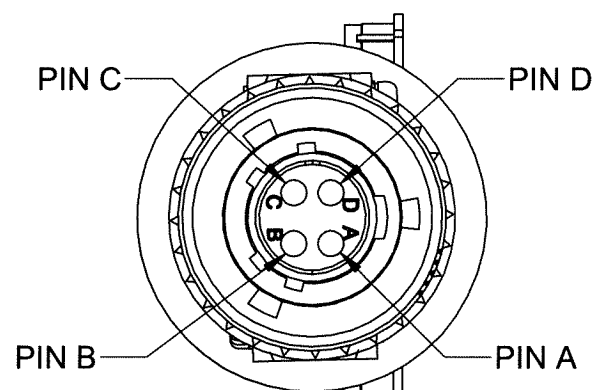
REVISIONS

REV.	ECN	DESCRIPTION	BY/DATE	CHK	APPR
A	12737	INITIAL RELEASE	JS 06/08/16	LA	LN
B	14975	SEE ECN	DA, 03/25/19	<i>[Signature]</i>	<i>[Signature]</i>



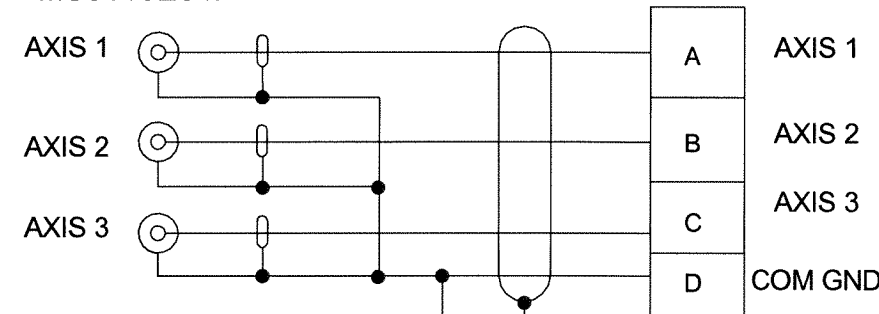
3 CABLE, COAXIAL, RG58C/U (MIL-DTL-17)

CENTER CONDUCTOR	20 AWG 19/33 TINNED COPPER CONDUCTOR
INSULATION	POLYETHYLENE $\phi$ .116 ±.004
SHIELD	36 AWG TINNED COPPER BRAIDED SHIELD 95% COVERAGE
JACKET	BLACK PVC, NON CONTAMINATING
DIAMETER	.195 ±.007
TEMPERATURE RATING	-40° C (-40° F) TO +85° C (185° F)



DETAIL A  
SCALE 2 : 1

MS3116F8-4S  
MATES WITH  
MS3110E84P



SCHEMATIC DIAGRAM

- 3 SEE TABLE FOR CABLE SPECIFICATIONS
  - 2 SEE TABLE FOR CABLE SPECIFICATIONS
  - 1 PART NUMBER 6428BXX. "XX" DENOTES LENGTH IN FEET.
- NOTES: UNLESS OTHERWISE SPECIFIED

UNLESS OTHERWISE SPECIFIED:  
 INTERPRET DIM & TOL PER  
 ASME Y14.5M - 1994.  
 REMOVE BURRS.  
 COUNTERSINK INTERNAL THDS  
 90° TO MAJOR DIA.  
 CHAM EXT THDS 45° TO MINOR DIA.  
 THD LENGTHS AND DEPTHS ARE FOR  
 MIN FULL THDS.  
 DIMENSIONS APPLY AFTER FINISHING.

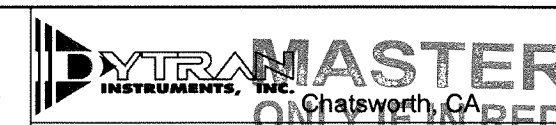
ALL MACHINED SURFACES  $\checkmark$   
 TOTAL RUNOUT WITHIN .005.  
 BREAK SHARP EDGES .005 TO .010.  
 MACHINED FILLET RADII .005 TO .015.  
 WELDING SYMBOLS PER AWS A2.4.  
 ABBREVIATIONS PER MIL-STD-12.

UNLESS OTHERWISE SPECIFIED:  
 DIMENSIONS ARE IN INCHES.  
 DIMENSIONS IN BRACKETS [ ] ARE IN  
 MILLIMETERS TOLERANCES ARE:

DECIMALS	METRIC	ANGLES
.XX ±.03	X ± 0.8	±1°
.XXX ±.010	.XX ±0.25	

APPROVALS		DATE
ORIG	JS	06/02/16
CHK	LA	06/09/16
APP	LN	06/09/16

DO NOT SCALE DRAWING



TITLE: OUTLINE/INSTALLATION DRAWING, CABLE ASSEMBLY, BOOTED 4 PIN MIL PLUG TO THREE BNC PLUGS			
SIZE B	CAGE CODE 2W033	DWG NO 127-6428B	REV B
SCALE: 1:2		SHEET 1 OF 1	