

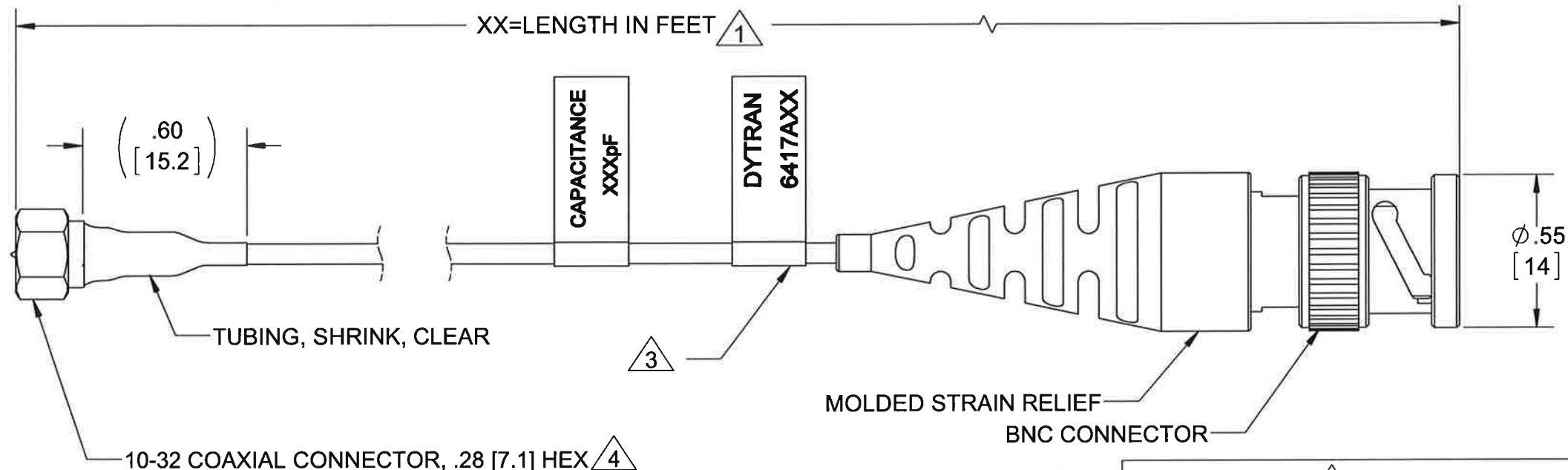
PROPRIETARY AND CONFIDENTIAL

THE INFORMATION CONTAINED IN THIS DRAWING IS THE SOLE PROPERTY OF DYTRAN INSTRUMENTS INC. ANY REPRODUCTION IN PART OR AS A WHOLE WITHOUT THE WRITTEN PERMISSION OF DYTRAN INSTRUMENTS INC. IS PROHIBITED

REVISIONS

REV.	ECN	DESCRIPTION	BY/DATE	CHK	APPR
A	9772	INITIAL RELEASE	AB 03/25/13	RA	DV
B	11484	ZONE C2 ADDED MOLDED STRAIN RELIEF, CONVERTED TO SOLIDWORKS ZONE B3 .28 [7.1] HEX WAS: .27[7] HEX	RA 11/26/14	RT	LN
C	11777	ADDED NOTE 4	RA, 02/23/15	MH	<i>[Signature]</i>

ENGLISH		[METRIC]	
≤1FT	+1/ -0 IN	≤0.3m	+25mm -0mm
>1 FT - 5 FT	+2/ -0 IN	.0.3 m-1.5m	+50mm -0mm
> 5 FT - 10 FT	+4/ -0 IN	>1.5m-3m	+100mm -0mm
>10 FT - 25FT	+6 / -0 IN	>3m-7.5m	+150mm -0mm
>25 FT	+5% / -0%	>7.5m	+5%/-0%



³ SINGLE CONDUCTOR LOW NOISE CABLE	
AWG	30-7/38 SILVER PLATE
TEMP	200 DEG C WIRE RATED
DIAMETER	∅.073 NOM.
JACKET	RED PTFE WRAP .005-.010 WALL
VOLTAGE	600 VOLTS
SHIELD	38 AWG SILVER PLATED COPPER BRAID, 85% MIN COVERAGE, ∅.050 NOM
CONDUCTOR INSULATION	EXTRUDED PTFE, CLEAR, ∅.032 NOM.
LOW NOISE WRAP #1 & #2	CARBON TAPE

- ⁴ MAXIMUM TORQUE: 12-15 LB-IN
- ³ SEE CABLE SPECIFICATION TABLE
- 2. OPERATING RANGE: -15°F (-26°C) TO 230°F (110°C)
- ¹ MODEL NUMBER 6417AXX, XX DENOTES LENGTH IN FEET.

NOTES: UNLESS OTHERWISE SPECIFIED

UNLESS OTHERWISE SPECIFIED:
 INTERPRET DIM & TOL PER ASME Y14.5M - 1994.
 REMOVE BURRS.
 COUNTERSINK INTERNAL THDS 90° TO MAJOR DIA.
 CHAM EXT THDS 45° TO MINOR DIA.
 THD LENGTHS AND DEPTHS ARE FOR MIN FULL THDS.
 DIMENSIONS APPLY AFTER FINISHING.

UNLESS OTHERWISE SPECIFIED:
 DIMENSIONS ARE IN INCHES.
 DIMENSIONS IN BRACKETS [] ARE IN MILLIMETERS TOLERANCES ARE:

DECIMALS	METRIC	ANGLES
.XX ±.03	X ± 0.8	±1°
.XXX ±.010	XX ±0.25	

APPROVALS

ORIG	CHK	APP	DATE
AB	RA	DV	04/15/13
			04/16/13
			04/22/13

ALL MACHINED SURFACES: ⁶³✓
 TOTAL RUNOUT WITHIN .005.
 BREAK SHARP EDGES .005 TO .010.
 MACHINED FILLET RADII .005 TO .015.
 WELDING SYMBOLS PER AWS A2.4.
 ABBREVIATIONS PER MIL-STD-12.

DO NOT SCALE DRAWING

THIRD ANGLE PROJECTION USA

DYTRAN INSTRUMENTS, INC. **MASTER ONLY IF IN RED**
 Chatsworth, CA

TITLE: **OUTLINE/INSTALLATION DRAWING, 10-32 TO BNC PLUG, MODEL 6417A**

SIZE B	CAGE CODE 2W033	DWG NO 127-6417A	REV C
---------------	------------------------	-------------------------	--------------

SCALE: 1:2

SHEET 1 OF 1