

PROPRIETARY AND CONFIDENTIAL

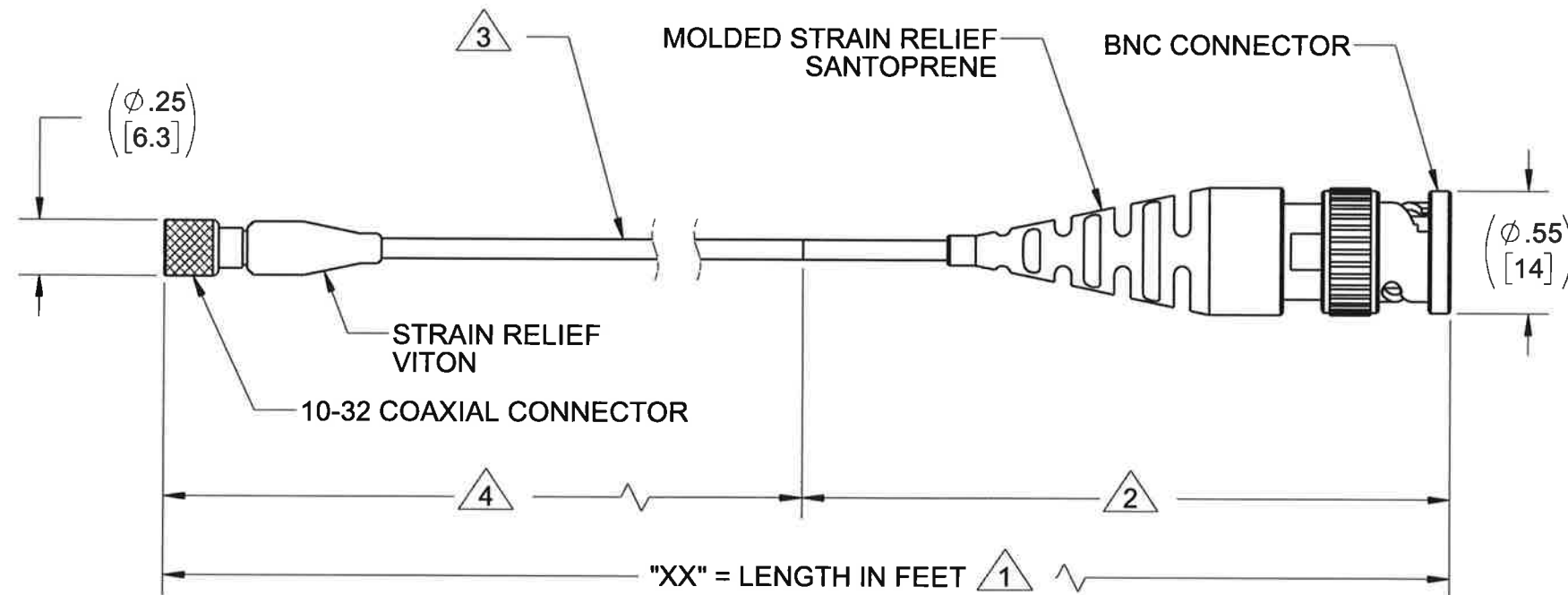
THE INFORMATION CONTAINED IN THIS DRAWING IS THE SOLE PROPERTY OF DYTRAN INSTRUMENTS INC. ANY REPRODUCTION IN PART OR AS A WHOLE WITHOUT THE WRITTEN PERMISSION OF DYTRAN INSTRUMENTS INC. IS PROHIBITED

1 CABLE LENGTH TOLERANCE

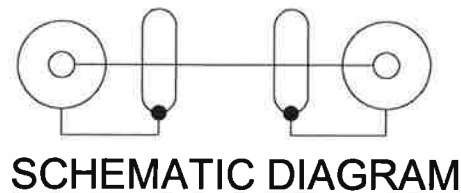
ENGLISH		[METRIC]	
≤1FT	+1/ -0 IN	≤0.3m	+25mm -0mm
>1 FT - 5 FT	+2/ -0 IN	.0.3 m-1.5m	+50mm -0mm
> 5 FT - 10 FT	+4/ -0 IN	>1.5m-3m	+100mm -0mm
>10 FT - 25FT	+6 / -0 IN	>3m-7.5m	+150mm -0mm
>25 FT	+5% / -0%	>7.5m	+5%/ -0%

REVISIONS

REV	ECN	DESCRIPTION	BY/DATE	CHK	APPR
F	13338	ADDED NOTE 4, AND REFORMATTED DRAWING	LA 03/15/17	RA	LW



3 SINGLE CONDUCTOR SHIELDED LOW NOISE CABLE	
AWG	30-7/38 NICKEL PLATED COPPER
TEMP	200 DEG C WIRE RATED
VOLTAGE	600 VOLTS
CONDUCTOR INSULATION	EXTRUDED PTFE, CLEAR, .032 DIA NOM.
CAPACITANCE (SHIELD TO CONDUCTOR)	27 pF/FT
LOW NOISE WRAP #1 & #2	CARBON TAPE
IMPEDANCE	52 OHMS
INDUCTANCE	.80 microH/FT
SHIELD	38 AWG SILVER PLATED COPPER BRAID, 85% MIN COVERAGE, .050 DIA NOM
RESISTANCE	.20 OHM
JACKET	RED PTFE WRAP .005-.010 WALL
DIAMETER	.073 DIA NOM.
MINIUM BEND RADIUS	1 IN



- 4 OPERATING RANGE: -67°F (-55°C) TO 392°F (200°C)
- 3 SEE CABLE SPECIFICATION TABLE
- 2 OPERATING RANGE: -67°F (-55°C) TO 230°F (110°C)
- 1 XX=WILL VARY IN FEET PER CUSTOMER REQUIREMENTS, FOR EXAMPLE: 6019A10 IS A 10FT CABLE

NOTES: UNLESS OTHERWISE SPECIFIED

UNLESS OTHERWISE SPECIFIED: INTERPRET DIM & TOL PER ASME Y14.5M - 1994. REMOVE BURRS. COUNTERSINK INTERNAL THDS 90° TO MAJOR DIA. CHAM EXT THDS 45° TO MINOR DIA. THD LENGTHS AND DEPTHS ARE FOR MIN FULL THDS. DIMENSIONS APPLY AFTER FINISHING.

ALL MACHINED SURFACES. TOTAL RUNOUT WITHIN .005. BREAK SHARP EDGES .005 TO .010. MACHINED FILLET RADII .005 TO .015. WELDING SYMBOLS PER AWS A2.4. ABBREVIATIONS PER MIL-STD-12.

DECIMALS		METRIC		ANGLES
.XX ±.03	.X ± 0.8	.XXX ±.010	.XX ±0.25	±1°

APPROVALS		DATE
ORIG	RA	06/11/02
CHK	MPH	06/11/02
APP	CES	06/11/02

DO NOT SCALE DRAWING

**MASTER COPY IF IN RED**  
DYTRAN INSTRUMENTS INC. Chatsworth, CA

TITLE:  
**OUTLINE/INSTALLATION DRAWING, CABLE, LOW-NOISE 10-32 TO BNC PLUG, MODEL 6019A, RoHS COMPLIANT**

SIZE	CAGE CODE	DWG NO	REV
B	2W033	127-6019A	F

SCALE: 1:2 SHEET 1 OF 1