

PROPRIETARY AND CONFIDENTIAL

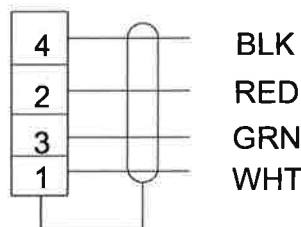
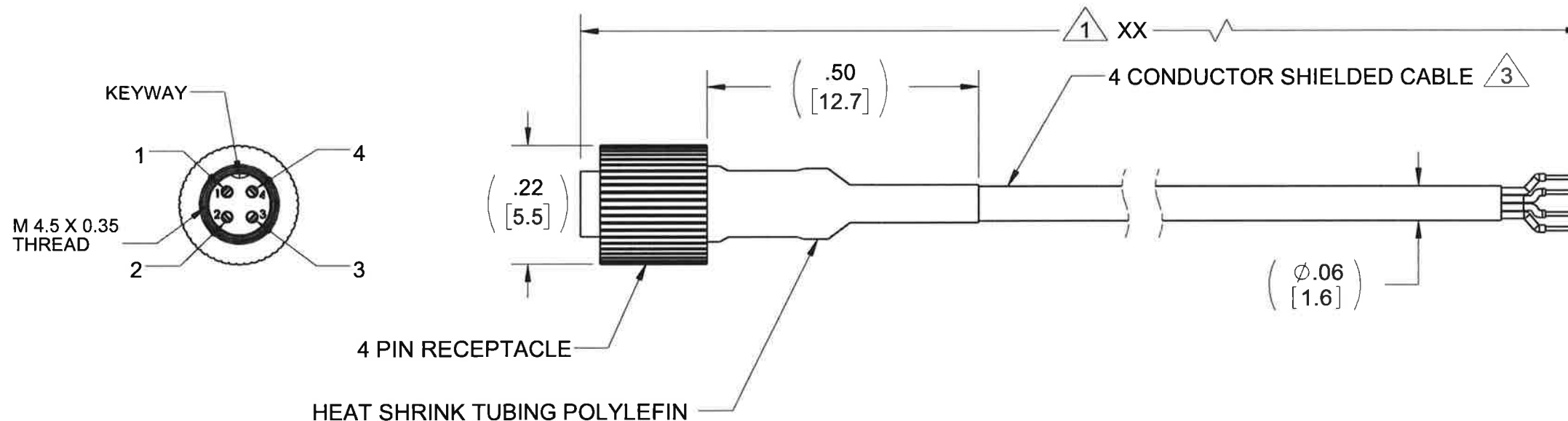
THE INFORMATION CONTAINED IN THIS DRAWING IS THE SOLE PROPERTY OF DYTRAN INSTRUMENTS INC. ANY REPRODUCTION IN PART OR AS A WHOLE WITHOUT THE WRITTEN PERMISSION OF DYTRAN INSTRUMENTS INC. IS PROHIBITED

REVISIONS

REV	ECN	DESCRIPTION	BY/DATE	CHK	APPR
A	13525	INITIAL RELEASE, SAME AS X1	RA 06/23/17	EP	AS

**1** CABLE LENGTH TOLERANCE

≤1FT	+1/ -0 IN
>1 FT - 5 FT	+2/ -0 IN
> 5 FT - 10 FT	+4/ -0 IN
>10 FT - 25FT	+6 / -0 IN
>25 FT	+5% / -0%



**SCHEMATIC DIAGRAM**

**3** CABLE SPECIFICATIONS

CONDUCTOR	AWG 32-19/44, SILVER PLATED COPPER
INSULATION	TEFLON OR NEOFロン PFA. Ø.019 [0.49mm] NOM
SHIELD	44 AWG SILVER PLATED COPPER, 90% COVERAGE
WIRE TEMP	-321°F (-196°C ) TO +392°F (+200°C)
JACKET	TEFLON OR NEOFロン PFA, WHITE
CABLE DIA	Ø.064 NOM.
VOLTAGE RATING	250VAC

UNLESS OTHERWISE SPECIFIED:  
 INTERPRET DIM & TOL PER ASME Y14.5M - 1994.  
 REMOVE BURRS.  
 COUNTERSINK INTERNAL THDS 90° TO MAJOR DIA.  
 CHAM EXT THDS 45° TO MINOR DIA.  
 THD LENGTHS AND DEPTHS ARE FOR MIN FULL THDS.  
 DIMENSIONS APPLY AFTER FINISHING.

ALL MACHINED SURFACES.  
 TOTAL RUNOUT WITHIN .005.  
 BREAK SHARP EDGES .005 TO .010.  
 MACHINED FILLET RADII .005 TO .015.  
 WELDING SYMBOLS PER AWS A2.4.  
 ABBREVIATIONS PER MIL-STD-12.

DECIMALS	METRIC	ANGLES
.XX ±.03	.X ± 0.8	±1°
.XXX ±.010	.XX ±0.25	

APPROVALS		DATE
ORIG	RA	06/22/17
CHK	EP	6/26/17
APP	AS	6/29/17

DO NOT SCALE DRAWING



TITLE: **OUTLINE/INSTALLATION DRAWING 60060A**

SIZE	CAGE CODE	DWG NO	REV
B	2W033	127-60060A	A
SCALE:	2:1		SHEET 1 OF 1

- 3** CABLE SPECIFICATIONS.
2. TEMPERATURE RANGE: -55°C TO +110°C.
- 1** PART NUMBER: 60060AXX (XX DENOTES LENGTH IN FEET).
- NOTES: UNLESS OTHERWISE SPECIFIED