

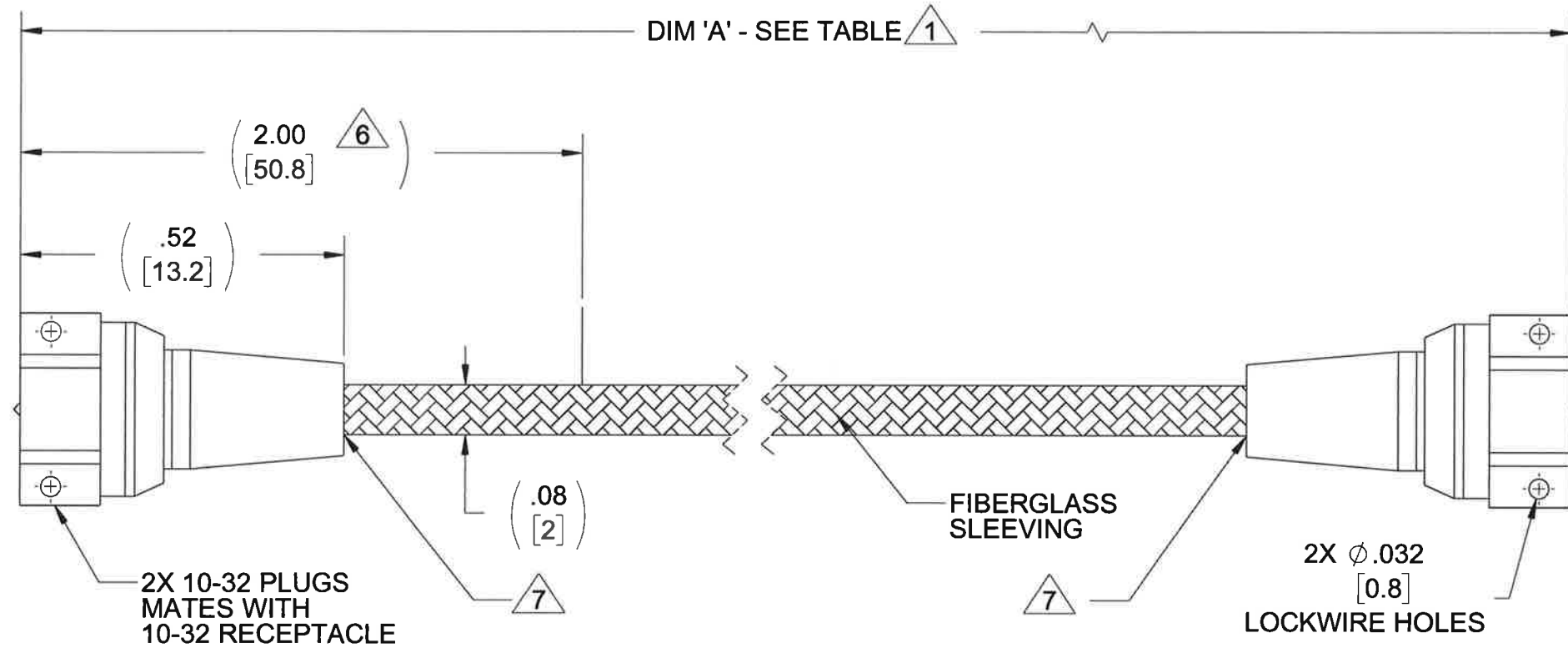
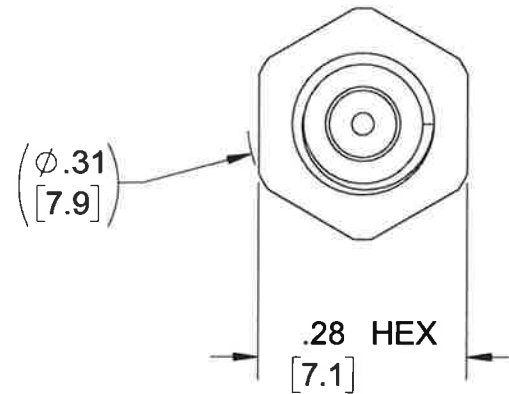
PROPRIETARY AND CONFIDENTIAL

THE INFORMATION CONTAINED IN THIS DRAWING IS THE SOLE PROPERTY OF DYTRAN INSTRUMENTS INC. ANY REPRODUCTION IN PART OR AS A WHOLE WITHOUT THE WRITTEN PERMISSION OF DYTRAN INSTRUMENTS INC. IS PROHIBITED

REVISIONS

REV.	ECN	DESCRIPTION	BY/DATE	CHK	APPR
B	13553	ADD NOTE $\triangle 7$	EP 07/07/17	LN	MH

MODEL NUMBER	DIM 'A'
60016A1.7	20.0 ± .5 (1.7 FT)
60016A03	36.0 ± 1.0 (3 FT)
60016A05	60.0 ± 3.0 (5 FT)
60016A08	96.0 ± 3.0 (8 FT)
60016A10	120.0 ± 3.0 (10 FT)
60016A15	180.0 ± 5.0 (15 FT)
60016A20	240.0 ± 6.0 (20 FT)
60016A30	360.0 ± 6.0 (30 FT)



MATERIALS	
JACKET	304L SS
NUT	304L SS
STRAIN RELIEF	304L SS
PIN	INCONEL 718
CABLE INSULATOR	SILICON DIOXIDE
SLEEVING	FIBERGLASS

$\triangle 7$ DO NOT PULL FIBERGLASS SLEEVE. FIBERGLASS SLEEVE MAY RETRACT FROM POSITION.

$\triangle 6$ DO NOT BEND CABLE WITHIN SECTION INDICATED ON BOTH ENDS OF CABLE. DO NOT BEND CABLE WHILE INSTALLED.

5. WEIGHT: 2.5 GRAMS PER FOOT APPROX.

4. MAXIMUM TORQUE: 12 lb-in.

3. MINIMUM BENDING RADIUS: 1.4 INCH.

2. MAXIMUM OPERATING TEMPERATURE: 1100°F.

$\triangle 1$ CABLE LENGTH IS VARIABLE AND DESIGNATED AS LAST 2 DIGITS OF MODEL NUMBER. EXAMPLE: 60016A10 IS 10 FEET LONG.

NOTES: UNLESS OTHERWISE SPECIFIED

UNLESS OTHERWISE SPECIFIED:
 INTERPRET DIM & TOL PER ASME Y14.5M - 1994.
 REMOVE BURRS.
 COUNTERSINK INTERNAL THDS 90° TO MAJOR DIA.
 CHAM EXT THDS 45° TO MINOR DIA.
 THD LENGTHS AND DEPTHS ARE FOR MIN FULL THDS.
 DIMENSIONS APPLY AFTER FINISHING.

ALL MACHINED SURFACES \checkmark
 TOTAL RUNOUT WITHIN .005.
 BREAK SHARP EDGES .005 TO .010.
 MACHINED FILLET RADII .005 TO .015.
 WELDING SYMBOLS PER AWS A2.4.
 ABBREVIATIONS PER MIL-STD-12.

UNLESS OTHERWISE SPECIFIED:
 DIMENSIONS ARE IN INCHES.
 DIMENSIONS IN BRACKETS [] ARE IN MILLIMETERS TOLERANCES ARE:

DECIMALS	METRIC	ANGLES
.XX ± .03	.X ± 0.8	± 1°
.XXX ± .010	.XX ± 0.25	

APPROVALS		DATE
ORIG	LN	06/08/16
CHK	MH	07/07/17
APP		

DO NOT SCALE DRAWING

THIRD ANGLE PROJECTION

DYTRAN INSTRUMENTS, INC. Chatsworth, CA

MASTER ONLY IF IN RED

TITLE: **OUTLINE/INSTALLATION DWG, HARDLINE CABLE ASSY, INSULATED, MODEL 60016A**

SIZE B	CAGE CODE 2W033	DWG NO 127-60016A	REV B
---------------	------------------------	--------------------------	--------------

SCALE: 4:1 SHEET 1 OF 1