

PROPRIETARY AND CONFIDENTIAL

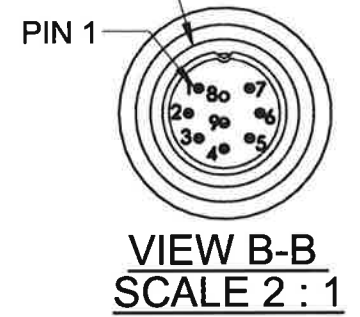
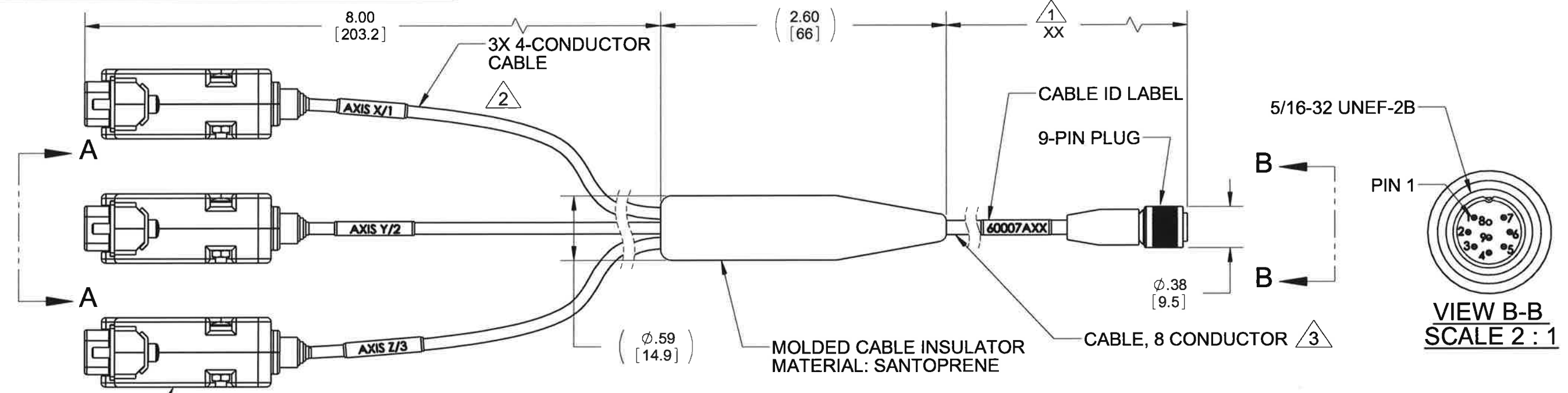
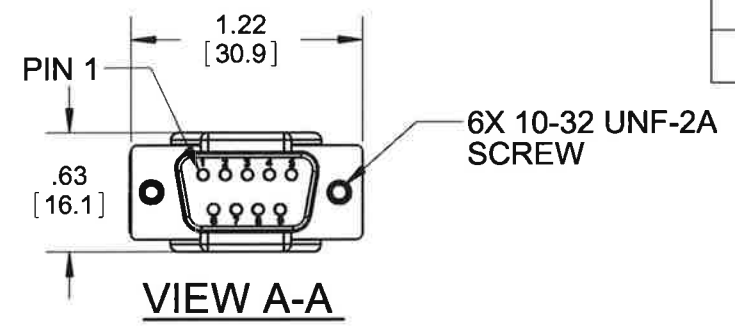
THE INFORMATION CONTAINED IN THIS DRAWING IS THE SOLE PROPERTY OF DYTRAN INSTRUMENTS INC. ANY REPRODUCTION IN PART OR AS A WHOLE WITHOUT THE WRITTEN PERMISSION OF DYTRAN INSTRUMENTS INC. IS PROHIBITED

REVISIONS

REV	ECN	DESCRIPTION	BY/DATE	CHK	APPR
A	12605	INITIAL RELEASE	LA 04/26/16	AS	W

1 CABLE LENGTH TOLERANCE

ENGLISH		[METRIC]	
≤1FT	+1/ -0 IN	≤0.3m	+25mm -0mm
>1 FT - 5 FT	+2/ -0 IN	.0.3 m-1.5m	+50mm -0mm
> 5 FT - 10 FT	+4/ -0 IN	>1.5m-3m	+100mm -0mm
>10 FT - 25FT	+6 / -0 IN	>3m-7.5m	+150mm -0mm
>25 FT	+5% / -0%	>7.5m	+5%/-0%



2 4 CONDUCTOR, CABLE		3 8 CONDUCTOR, SHIELDED CABLE	
CONDUCTORS	30 AWG 7/38 TIN PLATED COPPER	CONDUCTORS	26 AWG 7/34 TIN PLATED COPPER
TEMP	-55° C TO +120° C (-67°F TO +248°F)	TEMP	+200° C (+392°F)
VOLTAGE	600 VOLTS	VOLTAGE	600 VOLTS
SHIELD	TIN PLATED COPPER BRAID, 90% MIN COVERAGE	SHIELD	38 AWG SILVER PLATED COPPER BRAID, 95% MIN COVERAGE
JACKET	SANTOPRENE, BLACK, .012/.015 WALL	JACKET	FEP, WHITE, .010 WALL
DIAMETER	.105 MAX	DIAMETER	.135 MAX

UNLESS OTHERWISE SPECIFIED:  
 INTERPRET DIM & TOL PER ASME Y14.5M - 1994.  
 REMOVE BURRS.  
 COUNTERSINK INTERNAL THDS 90° TO MAJOR DIA.  
 CHAM EXT THDS 45° TO MINOR DIA.  
 THD LENGTHS AND DEPTHS ARE FOR MIN FULL THDS.  
 DIMENSIONS APPLY AFTER FINISHING.

ALL MACHINED SURFACES.  
 TOTAL RUNOUT WITHIN .005.  
 BREAK SHARP EDGES .005 TO .010.  
 MACHINED FILLET RADII .005 TO .015.  
 WELDING SYMBOLS PER AWS A2.4.  
 ABBREVIATIONS PER MIL-STD-12.

UNLESS OTHERWISE SPECIFIED:  
 DIMENSIONS ARE IN INCHES.  
 DIMENSIONS IN BRACKETS [ ] ARE IN MILLIMETERS TOLERANCES ARE:

DECIMALS	METRIC	ANGLES
.XX ± .03	X ± 0.8	± 1°
.XXX ± .010	.XX ± 0.25	

APPROVALS		DATE
ORIG	LA	04/11/16
CHK	AS	4/28/16
APP	W	4/28/16

DO NOT SCALE DRAWING

**DYTRAN INSTRUMENTS, INC.** MASTER ONLY IF IN RED  
 Chatsworth, CA

TITLE: **OUTLINE/INSTALLATION, CABLE ASSY, 9-PIN PLUG TO (3) D-SUB CONNECTORS**

SIZE	CAGE CODE	DWG NO	REV
B	2W033	127-60007A	A

SCALE: 1:1 SHEET 1 OF 2

- 3 CABLE, 8-CONDUCTOR, 26AWG. SEE TABLE FOR CABLE SPECIFICATIONS.
- 2 CABLE, 4-CONDUCTOR, 30AWG. SEE TABLE FOR CABLE SPECIFICATIONS.
- 1 PART NUMBER 60007AXX: (XX DENOTES LENGTH IN FEET).

NOTES: UNLESS OTHERWISE SPECIFIED

PROPRIETARY AND CONFIDENTIAL

THE INFORMATION CONTAINED IN THIS DRAWING IS THE SOLE PROPERTY OF DYTRAN INSTRUMENTS INC. ANY REPRODUCTION IN PART OR AS A WHOLE WITHOUT THE WRITTEN PERMISSION OF DYTRAN INSTRUMENTS INC. IS PROHIBITED

X-AXIS

EXC+ 1  
IN+ 2  
SENSE- 3  
GND 4  
R+ 5  
SENSE+ 6  
IN- 7  
EXC- 8  
TEDS 9

1 NC  
2 NC  
3 NC  
4 NC  
5 NC  
6 NC  
7 NC  
8 NC  
9 NC

Y-AXIS

IN+ 1  
GND 2  
IN- 3  
EXC- 4  
IN- 5  
EXC- 6  
IN- 7  
EXC- 8  
IN- 9

1 NC  
2 NC  
3 NC  
4 NC  
5 NC  
6 NC  
7 NC  
8 NC  
9 NC

Z-AXIS

IN+ 1  
GND 2  
IN- 3  
EXC- 4  
IN- 5  
EXC- 6  
IN- 7  
EXC- 8  
IN- 9

1 NC  
2 NC  
3 NC  
4 NC  
5 NC  
6 NC  
7 NC  
8 NC  
9 NC

9 PIN PLUG

1 (V+)  
2 -X  
3 +X  
4 -Y  
5 +Y  
6 -Z  
7 +Z  
8 (V-)  
9 NC

MOLDED SPLITTER

3X 9-PIN D-SUB

SCHEMATIC



TITLE: OUTLINE/INSTALLATION, CABLE ASSY, 9-PIN PLUG TO (3) D-SUB CONNECTORS

SIZE <b>B</b>	CAGE CODE <b>2W033</b>	DWG NO <b>127-60007A</b>	REV <b>A</b>
SCALE: 1:2		PART NO:	SHEET 2 OF 2