

4

3

2

1

DWG NO SH 1 REV B

PROPRIETARY AND CONFIDENTIAL

THE INFORMATION CONTAINED IN THIS DRAWING IS THE SOLE PROPERTY OF DYTRAN INSTRUMENTS INC. ANY REPRODUCTION IN PART OR AS A WHOLE WITHOUT THE WRITTEN PERMISSION OF DYTRAN INSTRUMENTS INC. IS PROHIBITED

REV	ECN	DESCRIPTION	BY/DATE	CHK	APPR
A	-	CHANGED INPUT CONNECTORS. WERE D-SUBS	NC/2-15-08	ANS	DV
B	14046	DELETED "DYTRAN INSTRUMENTS, INC USA	RA, 02/26/18	<i>RA</i>	<i>hw</i>

D

D

C

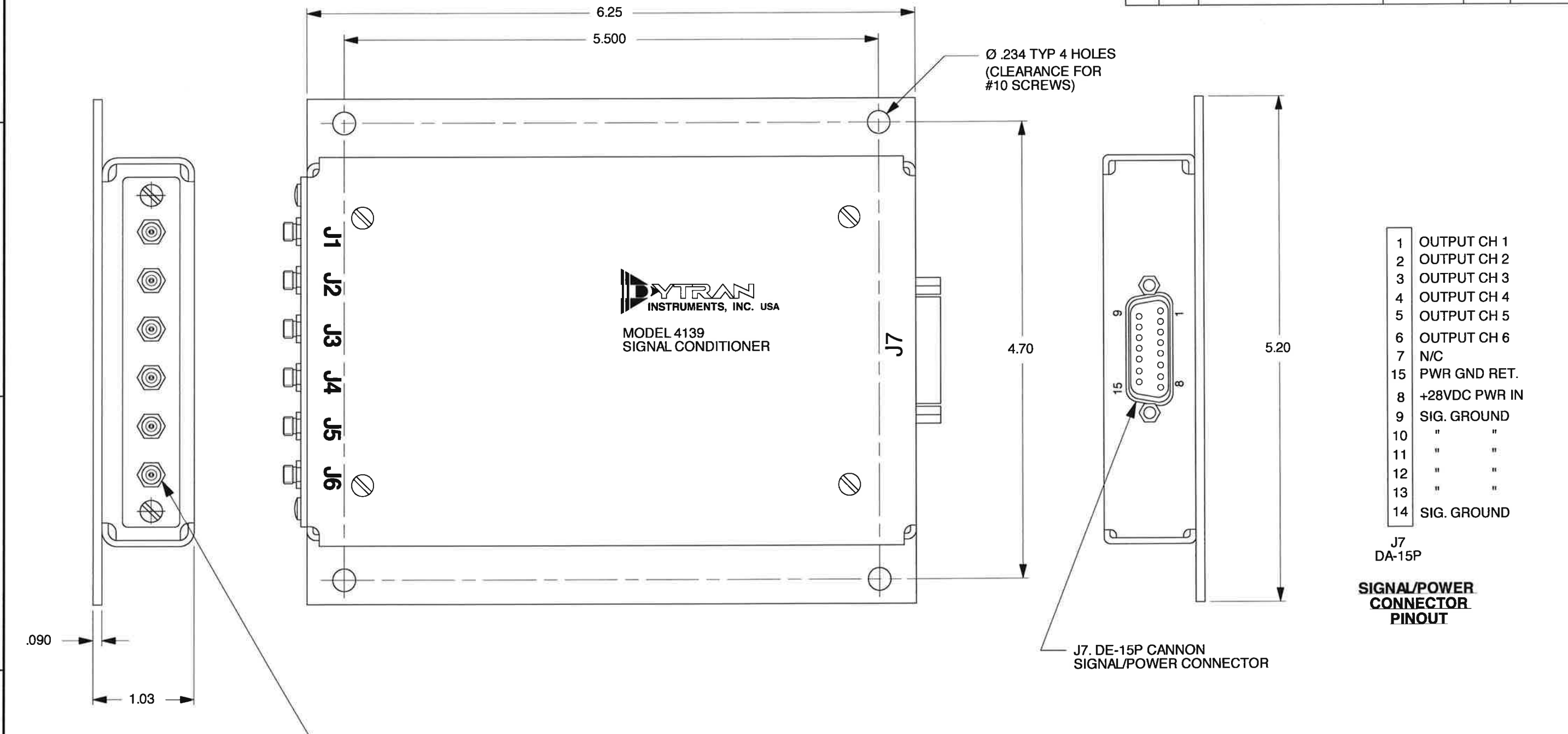
C

B

B

A

A



1	OUTPUT CH 1
2	OUTPUT CH 2
3	OUTPUT CH 3
4	OUTPUT CH 4
5	OUTPUT CH 5
6	OUTPUT CH 6
7	N/C
15	PWR GND RET.
8	+28VDC PWR IN
9	SIG. GROUND
10	" "
11	" "
12	" "
13	" "
14	SIG. GROUND

J7 DA-15P

SIGNAL/POWER CONNECTOR PINOUT

J7. DE-15P CANNON SIGNAL/POWER CONNECTOR

J1 THRU J6, 10-32 COAXIAL JACK IEPE SENSOR INPUT CONNECTORS, TYPICAL SIX JACKS.

2. HOUSING MATERIAL: ALUMUNUM ALLOY, FINISH: BLACK PAINT.
 1. WEIGHT: 11.5 OZ (.75 LBS).
 NOTES: UNLESS OTHERWISE SPECIFIED

UNLESS OTHERWISE SPECIFIED: INTERPRET DIM & TOL PER ASME Y14.5M - 1994. REMOVE BURRS. COUNTERSINK INTERNAL THDS 90° TO MAJOR DIA. CHAM EXT THDS 45° TO MINOR DIA. THD LENGTHS AND DEPTHS ARE FOR MIN FULL THDS. DIMENSIONS APPLY AFTER FINISHING.		UNLESS OTHERWISE SPECIFIED: DIMENSIONS ARE IN INCHES. TOLERANCES ARE: DECIMALS XX ± .01 XXX ± .005		MASTER COPY ONLY IF IN RED CHATSWORTH, CA																												
<table border="1"> <thead> <tr> <th colspan="2">APPROVALS</th> <th>DATE</th> </tr> </thead> <tbody> <tr> <td>DRAWN</td> <td>N.C</td> <td>4/7/98</td> </tr> <tr> <td>DESIGN</td> <td>N.C</td> <td>4/7/98</td> </tr> <tr> <td>CHK</td> <td>ANS</td> <td>1/3/12</td> </tr> <tr> <td>APP</td> <td>DV</td> <td>1/57/12</td> </tr> </tbody> </table>		APPROVALS		DATE	DRAWN	N.C	4/7/98	DESIGN	N.C	4/7/98	CHK	ANS	1/3/12	APP	DV	1/57/12	<table border="1"> <tr> <td colspan="2">TITLE:</td> </tr> <tr> <td colspan="2" style="text-align: center;">OUTLINE/INSTALLATION DRAWING, MODEL 4139</td> </tr> </table>		TITLE:		OUTLINE/INSTALLATION DRAWING, MODEL 4139		<table border="1"> <tr> <td>SIZE B</td> <td>CAGE CODE 2W033</td> <td>DWG NO</td> <td>REV B</td> </tr> <tr> <td colspan="2"></td> <td style="text-align: center;">127-4139</td> <td></td> </tr> </table>		SIZE B	CAGE CODE 2W033	DWG NO	REV B			127-4139	
APPROVALS		DATE																														
DRAWN	N.C	4/7/98																														
DESIGN	N.C	4/7/98																														
CHK	ANS	1/3/12																														
APP	DV	1/57/12																														
TITLE:																																
OUTLINE/INSTALLATION DRAWING, MODEL 4139																																
SIZE B	CAGE CODE 2W033	DWG NO	REV B																													
		127-4139																														
ALL MACHINED SURFACES TOTAL RUNOUT WITHIN .005. BREAK SHARP EDGES .005 TO .010. MACHINED FILLET RADII .005 TO .015. WELDING SYMBOLS PER AWS A2.4. ABBREVIATIONS PER MIL-STD-12.		DO NOT SCALE DRAWING		<table border="1"> <tr> <td>SCALE: NONE</td> <td>SHEET 1 OF 1</td> </tr> </table>		SCALE: NONE	SHEET 1 OF 1																									
SCALE: NONE	SHEET 1 OF 1																															

4

3

2

1

SPECIFICATIONS MODEL 4139

SIX CHANNEL POWER UNIT/ SIGNAL CONDITIONER

SPECIFICATION	VALUE	UNITS
CHANNELS	6	
VOLTAGE GAIN	UNITY	
FREQUENCY RESPONSE,	± 3 db	5 to 10,000 Hz
OUTPUT BIAS (+200/-100 mV)	+2.500	VDC
COUPLING TIME CONSTANT, NOM.	.032	SEC
F. S. OUTPUT VOLTAGE SWING	± 2.50	VOLTS
OUTPUT IMPEDANCE, MAX	50	OHMS
MAXIMUM POSITIVE GOING OUT. VOLTAGE SWING	+5.6	VOLTS
CURRENT SUPPLIED TO SENSOR	2	mA
SENSOR COMPLIANCE VOLTAGE	+15	VDC
INPUT (SUPPLY) VOLTAGE RANGE	+24 to +30	VDC
INPUT (SUPPLY) CURRENT	60	mA
OPERATING TEMPERATURE	-60 to +120	°F
INPUT CONNECTORS (6)	10-32	COAXIAL
POWER IN/SIG OUT CONNECTOR	DA-15P	D-SUBMINI
SIZE, (EXCL. MTG BRACKET) (HxLxW)	0.94 x 6.25 x 4.00	IN.
WEIGHT	.72/317	Lbs./gms.
MAX. VIBRATION	15	G,RMS
MAX. SHOCK	20	G, PEAK
MOUNTING PROVISION	FOUR (4).234 DIA. CLEARANCE HOLES FOR #10 SCREWS IN INTEGRAL BRACKET. (SEE OUTLINE/INSTALLATION DRAWING 127-4146M6.)	
MATERIAL, CASE/BRACKET	.062/.093 THICK ALUMINUM ALLOY 2024-T3	
ACCESSORIES SUPPLIED:		

(1) MATING POWER/SIG OUT CONNECTOR, DA-15S WITH HOOD & CABLE CLAMP