

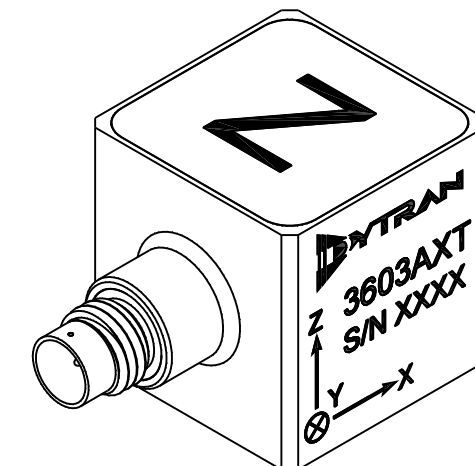
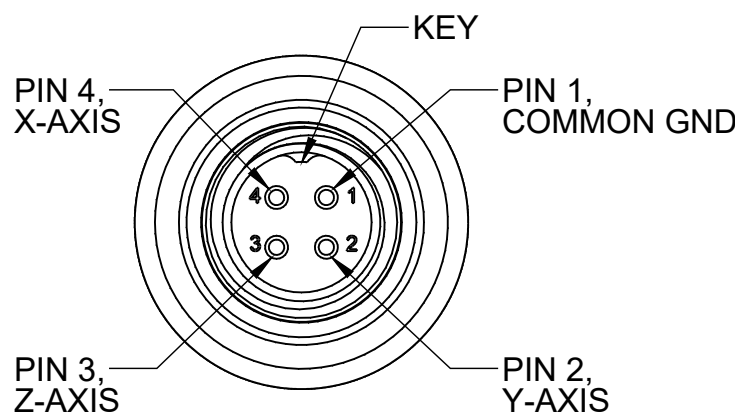
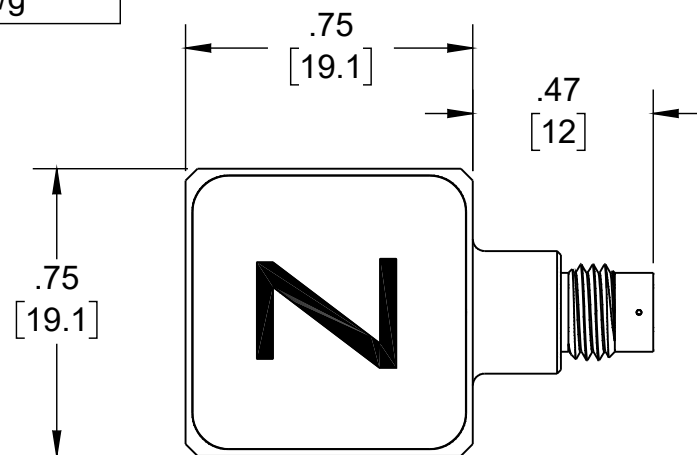
PROPRIETARY AND CONFIDENTIAL

THE INFORMATION CONTAINED IN THIS DRAWING IS THE SOLE PROPERTY OF DYTRAN INSTRUMENTS INC. ANY REPRODUCTION IN PART OR AS A WHOLE WITHOUT THE WRITTEN PERMISSION OF DYTRAN INSTRUMENTS INC. IS PROHIBITED

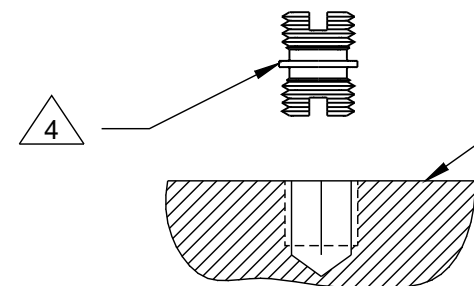
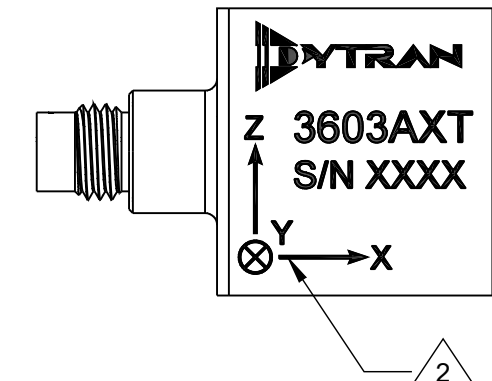
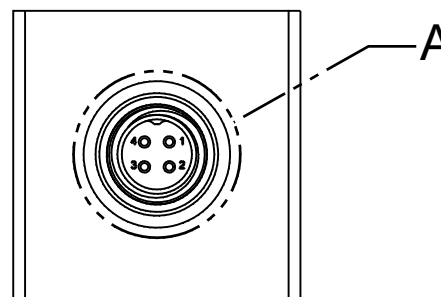
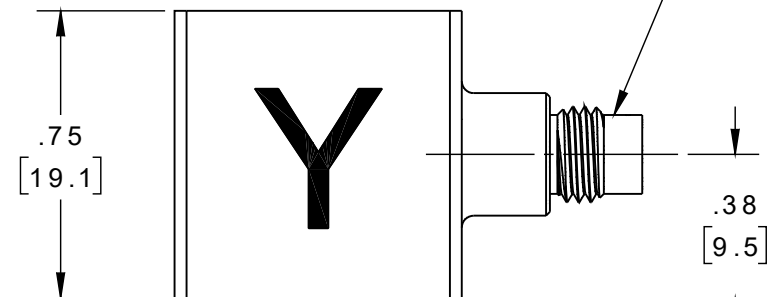
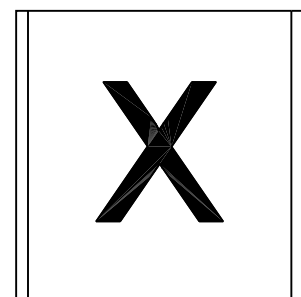
REVISIONS

REV.	ECN	DESCRIPTION	BY/DATE	CHK	APPR
A	12279	INITIAL RELEASE. SAME AS REV X2.	KG 04/16/18	LN	AS
B	16117	REVISED CONNECTOR RENDERING	KG 03/12/21	RA	DV

MODEL	SENSITIVITY
3603A1T	1 mV/g
3603A2T	5 mV/g
3603A3T	10 mV/g



DETAIL A  
SCALE 4 : 1



**MOUNTING RECOMMENDATION:**  
 PREPARE A .80 [20.3] X .80 [20.3] MIN SURFACE,  
 FLAT TO .001 TIR.  
 TAP 10-32 UNF-2B  $\nabla$ .15 [3.8] MIN.  
 MOUNTING TORQUE: 10-12 Lb-in.

- 4 MOUNTING STUD MODEL 6200 (SUPPLIED)
- 3. HOUSING/CONNECTOR MATERIAL: TITANIUM ALLOY
- 2 ARROWS INDICATE DIRECTION OF ACCELERATION FOR POSITIVE OUTPUT.
- 1. WEIGHT: 30 GRAMS, MAX

NOTES: UNLESS OTHERWISE SPECIFIED

UNLESS OTHERWISE SPECIFIED:  
 INTERPRET DIM & TOL PER ASME Y14.5M - 1994.  
 REMOVE BURRS.  
 COUNTERSINK INTERNAL THDS 90° TO MAJOR DIA.  
 CHAM EXT THDS 45° TO MINOR DIA.  
 THD LENGTHS AND DEPTHS ARE FOR MIN FULL THDS.  
 DIMENSIONS APPLY AFTER FINISHING.

ALL MACHINED SURFACES:  $\sqrt{63}$   
 TOTAL RUNOUT WITHIN .005.  
 BREAK SHARP EDGES .005 TO .010.  
 MACHINED FILLET RADII .005 TO .015.  
 WELDING SYMBOLS PER AWS A2.4.  
 ABBREVIATIONS PER MIL-STD-12.

APPROVALS		DATE
ORIG	LN	08/18/15
CHK	LN	04/19/18
APP	AS	04/20/18

DO NOT SCALE DRAWING

THIRD ANGLE PROJECTION USA

**DYTRAN INSTRUMENTS, INC.** Chatsworth, CA

TITLE: **OUTLINE/INSTALLATION DWG, MECHANICALLY FILTERED TRIAXIAL ACCEL, 3603AXT SERIES**

SIZE	CAGE CODE	DWG NO	REV
<b>B</b>	<b>2W033</b>	<b>127-3603A1T</b>	<b>B</b>

SCALE: 2:1 SHEET 1 OF 1

**Model Number**  
3603A1T

**PERFORMANCE SPECIFICATIONS**

**DOC NO**  
PS3603A1T

**IEPE TRIAXIAL ACCELEROMETER**

REV E, ECN 16117, 03/15/21



- MECHANICALLY & ELECTRICALLY FILTERED
- HERMETICALLY SEALED
- GROUND ISOLATED
- TEDS FUNCTION
- EXCELLENT LINEARITY

**This family also includes:**

Model	Sensitivity (mV/g)	Freq Response (Hz), ±3dB	Time Constant (Sec)	Operating Temp (°F)
3603A2T	5	0.3 to 5000	0.5 to 2.0	-60 to 250
3603A3T	10	0.3 to 5000	0.5 to 2.0	-60 to 250

Refer to the performance specifications of the products in this family for detailed description

**Supplied Accessories:**

- 1) Accredited calibration certificate (ISO 17025)
- 2) Mounting stud model 6200, (10-32 to 10-32).

**Notes:**

- [1] All specifications are at room temperature unless otherwise specified.
- [2] Glass to metal seal connector. Mates with Dytran cable Model 6811AXX (XX=length in feet).
- [3] Measured at 100Hz, 1 g RMS per ISA RP 37.2.
- [4] Measured using zero-based straight line method, % of F.S. or any lesser range.
- [5] Do not apply power to this system without current limiting, 20 mA MAX. To do so will destroy the amplifier.
- [6] TEDS operational temperature: -40° F to +185° F [-40° C to +85° C]
- [7] In the interest of constant product improvement, we reserve the right to change specifications without notice. It is the customer's responsibility to validate that a particular product with the properties described in the product specification is suitable for use in a particular application. Parameters provided in datasheets and / or specifications may vary in different applications and performance may vary over time. All operating parameters, including typical parameters, must be validated for each customer application by the customer's technical experts.

**PHYSICAL**

Weight, Max.  
Mounting Provision  
Connector [2]  
Housing  
Material  
Sensing Element  
Element Style

ENGLISH		SI	
Weight, Max.	1.05 oz	Weight	30 grams
Mounting Provision	10-32 UNF-2B	Mounting Provision	10-32 UNF-2B
Connector [2]	4-pin	Connector [2]	4-pin
Housing Material	Titanium	Housing Material	Titanium
Housing Material	Titanium	Housing Material	Titanium
Housing Isolation	Case Isolated	Housing Isolation	Case Isolated
Sensing Element	Single Crystal	Sensing Element	Single Crystal
Element Style	Planar Shear	Element Style	Planar Shear

**PERFORMANCE**

Sensitivity, ±10% [3]  
Range for ± 5 Volts Output  
Frequency Response, ±3dB  
Resonant Frequency  
Broad Band Resolution  
Linearity [4]  
Maximum Transverse Sensitivity  
Strain Sensitivity @ 250µε

ENGLISH		SI	
Sensitivity, ±10% [3]	1.0 mV/g	Sensitivity	0.10 mV/m/s <sup>2</sup>
Range for ± 5 Volts Output	± 5,000 g pk	Range for ± 5 Volts Output	± 49050 m/s <sup>2</sup> pk
Frequency Response, ±3dB	0.3 to 5000 Hz	Frequency Response, ±3dB	0.3 to 5000 Hz
Resonant Frequency	> 25 kHz	Resonant Frequency	> 25 kHz
Broad Band Resolution	0.07 g RMS	Broad Band Resolution	0.69 m/s <sup>2</sup> RMS
Linearity [4]	± 1 % F.S.	Linearity [4]	± 1 % F.S.
Maximum Transverse Sensitivity	6 %	Maximum Transverse Sensitivity	6 %
Strain Sensitivity @ 250µε	0.002 g/µε	Strain Sensitivity @ 250µε	0.02 m/s <sup>2</sup> /µε

**ENVIRONMENTAL**

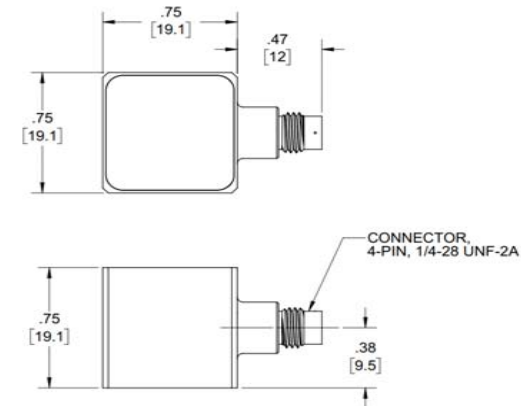
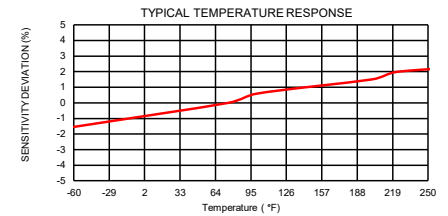
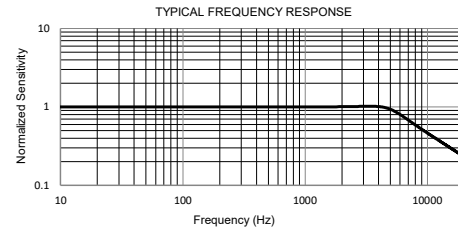
Maximum Shock  
Operating Temperature Range  
Seal

ENGLISH		SI	
Maximum Shock	8000 g pk	Maximum Shock	78480 m/s <sup>2</sup> pk
Operating Temperature Range	-60 to +250 °F	Operating Temperature Range	-51 to +121 °C
Seal	Hermetic	Seal	Hermetic

**ELECTRICAL**

Supply Current Range [5]  
Compliance Voltage Range  
Output Impedance, Typ  
Bias Voltage  
Discharge Time Constant  
Electrical Isolation  
TEDS Feature [6]

ENGLISH		SI	
Supply Current Range [5]	2 to 20 mA	Supply Current Range [5]	2 to 20 mA
Compliance Voltage Range	+18 to +30 Volts	Compliance Voltage Range	+18 to +30 Volts
Output Impedance, Typ	100 Ω	Output Impedance, Typ	100 Ω
Bias Voltage	+7.0 to +13.0 VDC	Bias Voltage	+7.0 to +13.0 VDC
Discharge Time Constant	0.5 to 2.0 Sec	Discharge Time Constant	0.5 to 2.0 Sec
Electrical Isolation	10 GΩ, min	Electrical Isolation	10 GΩ, min
TEDS Feature [6]	IEEE 1451.4	TEDS Feature [6]	IEEE 1451.4



Units on the line drawing are in inches, units in brackets are in millimeters. Refer to 127-3603A1T for more information.



21592 Marilla Street, Chatsworth, California 91311 Phone: 818.700.7818 Fax: 818.698.0362 www.dytran.com  
For permission to reprint this content, please contact info@dytran.com