

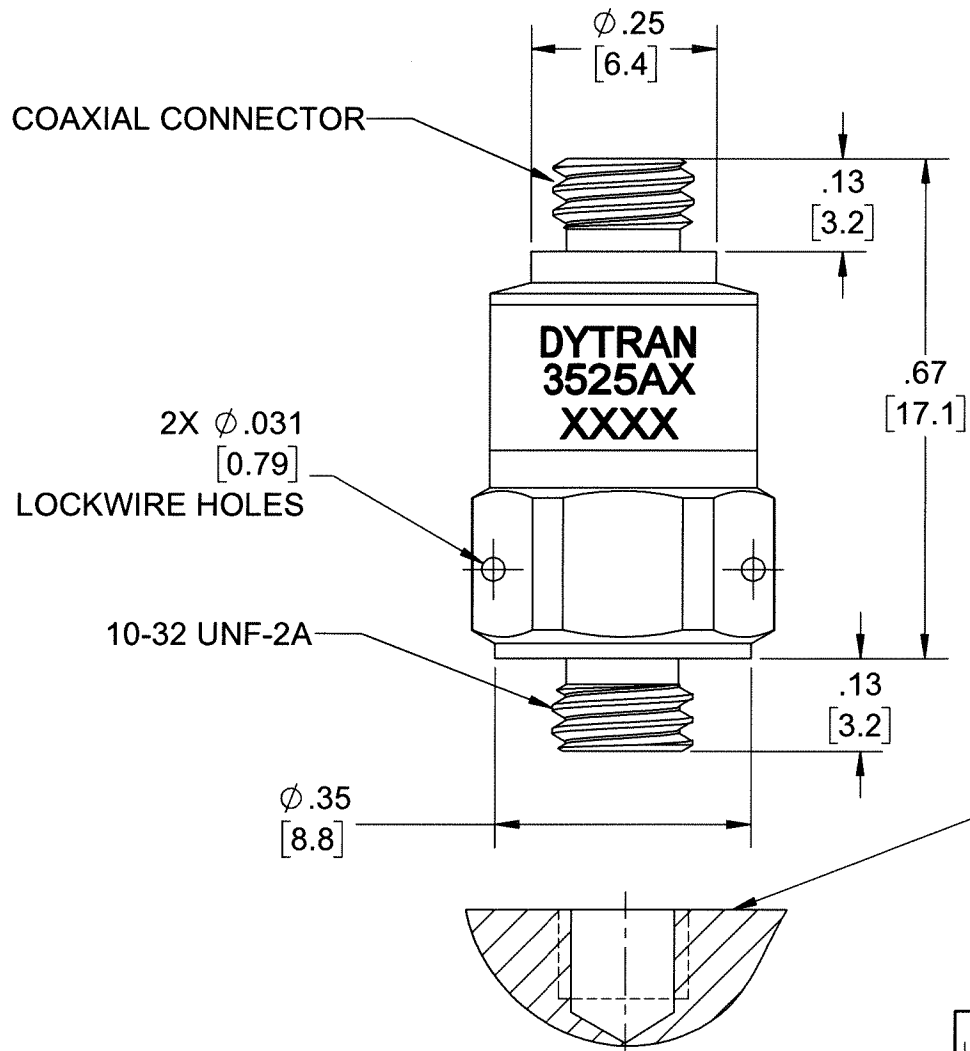
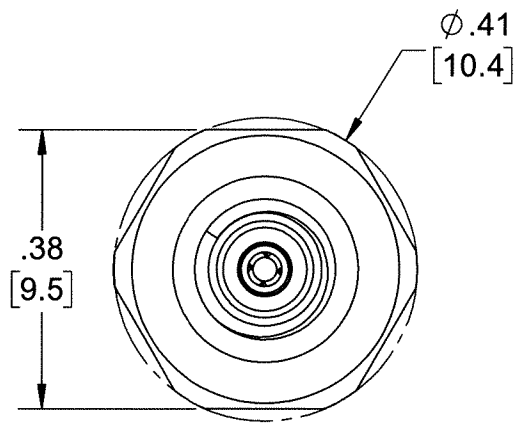
PROPRIETARY AND CONFIDENTIAL

THE INFORMATION CONTAINED IN THIS DRAWING IS THE SOLE PROPERTY OF DYTRAN INSTRUMENTS INC. ANY REPRODUCTION IN PART OR AS A WHOLE WITHOUT THE WRITTEN PERMISSION OF DYTRAN INSTRUMENTS INC. IS PROHIBITED

MODEL NO.	SENSITIVITY
3525A1	1 mV/g
3525A3	10 mV/g

REVISIONS

REV.	ECN	DESCRIPTION	BY/DATE	CHK	APPR
A	11765	INITIAL RELEASE. REMOVED 3525A1, 3525A2 FROM VARIATION TABLE	KG 03/27/18	EP	DV
B	15655	INITIAL RELEASE OF 3525A1. ADDED FLAG NOTE 3.	KG 03/13/20	EP	W



MOUNTING RECOMMENDATIONS: PREPARE MOUNTING SURFACE FLAT TO .001 TIR. TAP 10-32 UNF-2B ∇ .20 MIN., RECOMMENDED MOUNTING TORQUE 15LB-IN \pm 5/-0 LB-IN. FOR BEST FREQUENCY RESPONSE, MOUNTING SURFACE MUST CONTACT ENTIRE ACCELEROMETER MOUNTING SURFACE.

3 ARROW INDICATES DIRECTION FOR POSITIVE (+) OUTPUT.

2. MATERIAL: STAINLESS STEEL.

1. WEIGHT: 7.0 GRAMS MAX.

NOTES: UNLESS OTHERWISE SPECIFIED

UNLESS OTHERWISE SPECIFIED: INTERPRET DIM & TOL PER ASME Y14.5M - 1994. REMOVE BURRS. COUNTERSINK INTERNAL THDS 90° TO MAJOR DIA. CHAM EXT THDS 45° TO MINOR DIA. THD LENGTHS AND DEPTHS ARE FOR MIN FULL THDS. DIMENSIONS APPLY AFTER FINISHING.	UNLESS OTHERWISE SPECIFIED: DIMENSIONS ARE IN INCHES. DIMENSIONS IN BRACKETS [] ARE IN MILLIMETERS TOLERANCES ARE:		MASTER Chatsworth, CA ONLY IF IN RED		
	DECIMALS .XX \pm .03 .XXX \pm .010	METRIC .X \pm 0.8 .XX \pm 0.25			ANGLES \pm 1°
	APPROVALS ORIG LA 04/08/15 CHK EP 03/28/18 APP DV 03/30/18	DATE 04/08/15 03/28/18 03/30/18	SIZE B	CAGE CODE 2W033	DWG NO 127-3525A
	ALL MACHINED SURFACES \checkmark TOTAL RUNOUT WITHIN .005. BREAK SHARP EDGES .005 TO .010. MACHINED FILLET RADII .005 TO .015. WELDING SYMBOLS PER AWS A2.4. ABBREVIATIONS PER MIL-STD-12.	DO NOT SCALE DRAWING	THIRD ANGLE PROJECTION 	REV B	SCALE: 4:1 SHEET 1 OF 1

Model Number 3525A1	PERFORMANCE SPECIFICATION	DOC NO PS3525A1
	MINIATURE IEPE ACCELEROMETER	REV A, ECN 15655, 03/13/20



- HIGH OPERATING TEMPERATURE
- MINIATURE SIZE
- HERMETICALLY SEALED

PHYSICAL

Weight	Top Mounted		
Connector	Integral Stud		
Mounting Provision	Housing and Connector		
Material	Material		
Sensing Element	Mode		

ENGLISH		SI	
0.24	oz	6.8	grams
10-32 Micro Coax		10-32 Micro Coax	
10-32 (UNF-2A)		10-32 (UNF-2A)	
300 Series SS		300 Series SS	
Quartz		Quartz	
Compression		Compression	

PERFORMANCE

Sensitivity, ±15% [1]	1	mV/g	0.1	mV/m/s ²
Range F.S for ± 5 Volts Output	±500	g	±4905	m/s ²
Frequency Response, ±5%	5 to 10000	Hz	5 to 10000	Hz
Resonant Frequency, Nom	> 30	kHz	> 30	kHz
Equivalent Electrical Noise Floor	0.070	Grms	0.7	m/s ² rms
Linearity [2]	± 1%	% F.S.	± 1%	% F.S.
Maximum Transverse Sensitivity	5	%	5	%
Strain Sensitivity @ 250µε	0.003	g/µε	0.03	m/s ² /µε

ENVIRONMENTAL

Maximum Vibration	±1000	Gpeak	±9810	m/s ² peak
Maximum Shock	±3000	Gpeak	±29430	m/s ² peak
Temperature Range	-148 to +392	°F	-100 to 200	°C
Seal, Hermetic	Welded/Glass To Metal			

ELECTRICAL

Supply Current Range [3]	2 to 20	mA	2 to 20	mA
Compliance Voltage Range	+18 to +30	Volts	+18 to +30	Volts
Output Impedance, Typ	100	Ω	100	Ω
Bias Voltage	+7.5 to +11.5	VDC	+7.5 to +11.5	VDC
Discharge Time Constant	0.1 to 0.3	Sec	0.1 to 0.3	Sec

This family also includes:

Model	Sensitivity (mV/g)	Frequency Response, ±5% (Hz)	Time Constant (Sec)	Operating Temp (°F)
3525A3	10	5 to 10,000	0.1 to 0.3	-148 to +392

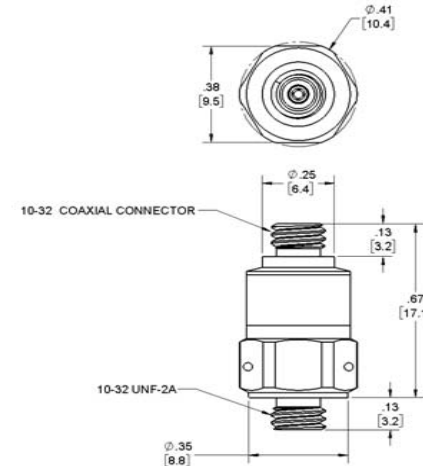
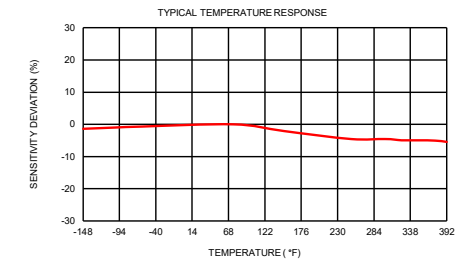
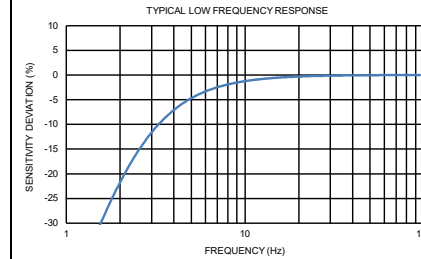
Please refer to the performance specifications of the products in this family for detailed description

Supplied Accessories:

- 1) Accredited calibration certificate (ISO 17025)

Notes:

- [1] Measure at 100Hz, 1 Grms per ISA RP 37.2
- [2] Measure using zero-based straight line method, % of F.S. or any lesser range.
- [3] Do not apply power to this system without current limiting, 20 mA MAX. To do so will destroy the IC charge amplifier.
- [4] In the interest of constant product improvement, we reserve the right to change specifications without notice. It is the customer's responsibility to validate that a particular product with the properties described in the product specification is suitable for use in a particular application. Parameters provided in datasheets and / or specifications may vary in different applications and performance may vary overtime. All operating parameters, including typical parameters, must be validated for each customer application by the customer's technical experts.



Units on the line drawing are in inches. Refer to 127-3525A for more information.



21592 Marilla Street, Chatsworth, California 91311 Phone: 818.700.7818 Fax: 818.700.7880 www.dytran.com
 For permission to reprint this content, please contact info@dytran.com