

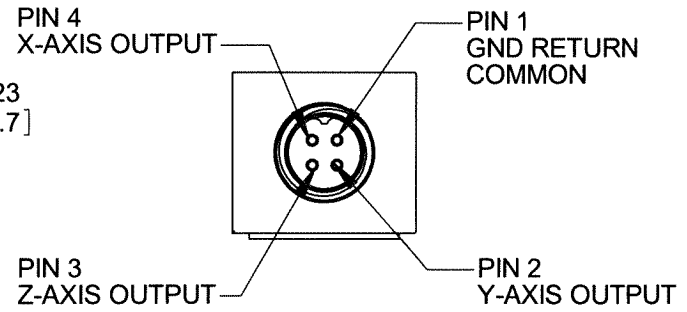
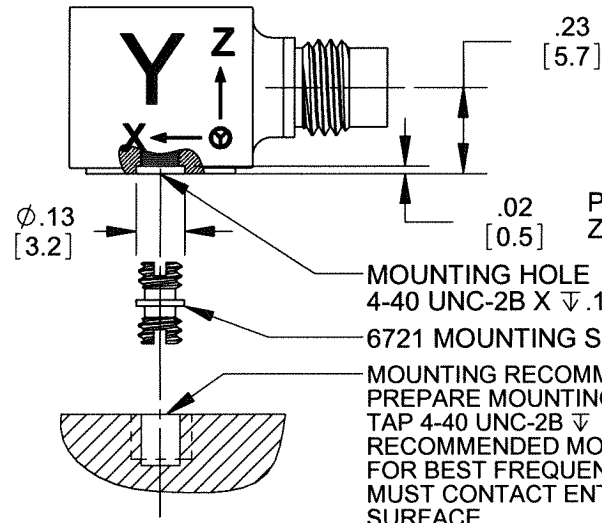
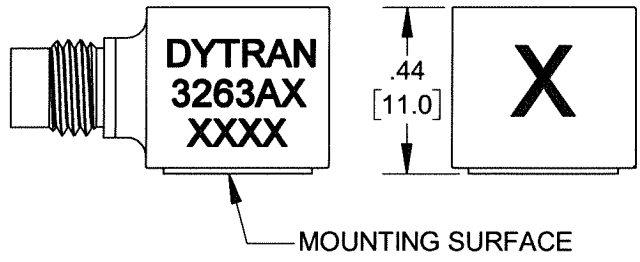
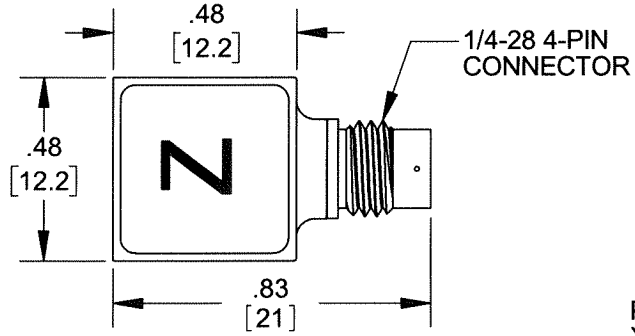
PROPRIETARY AND CONFIDENTIAL

THE INFORMATION CONTAINED IN THIS DRAWING IS THE SOLE PROPERTY OF DYTRAN INSTRUMENTS INC. ANY REPRODUCTION IN PART OR AS A WHOLE WITHOUT THE WRITTEN PERMISSION OF DYTRAN INSTRUMENTS INC. IS PROHIBITED

REVISIONS

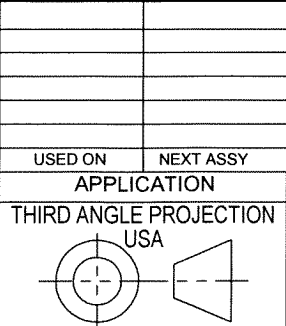
REV.	ECN	DESCRIPTION	BY/DATE	CHK	APPR
B	8131	ADDED: 3263A2 & A3, NOTE 3 IS: ...MAX WAS... NOMINAL	JS 12/14/11	DV	ANS
C	14892	INITIAL RELEASE OF 3263A14	KG 02/07/19	<i>KG</i>	<i>MH</i>

MODEL	SENSITIVITY
3263A1	10 mV/g
3263A2	100 mV/g
3263A3	50 mV/g
3263A14	20 mV/g



4. MATES WITH DYTRAN MODEL 6811AXX (XX = LENGTH IN FEET)
 3. WEIGHT: 5.6 GRAMS MAX
 2. ARROWS INDICATE ACCELERATION DIRECTION FOR POSITIVE OUTPUT.
 1. HOUSING MATERIAL: TITANIUM ALLOY
- NOTES: UNLESS OTHERWISE SPECIFIED.

MOUNTING RECOMMENDATIONS:
 PREPARE MOUNTING SURFACE FLAT TO .001TIR.
 TAP 4-40 UNC-2B ∇ .125 [3.2] MINIMUM.
 RECOMMENDED MOUNTING TORQUE: 6-8 LB IN.
 FOR BEST FREQUENCY RESPONSE MOUNTING SURFACE MUST CONTACT ENTIRE ACCELEROMETER MOUNTING SURFACE.



UNLESS OTHERWISE SPECIFIED:
 INTERPRET DIM & TOL PER ASME Y14.5M - 1994.
 REMOVE BURRS.
 COUNTERSINK INTERNAL THDS 90° TO MAJOR DIA.
 CHAM EXT THDS 45° TO MINOR DIA.
 THD LENGTHS AND DEPTHS ARE FOR MIN FULL THDS.
 THDS PER MIL-S-7742.
 DIMENSIONS APPLY AFTER FINISHING.
 ALL MACHINED SURFACES.
 TOTAL RUNOUT WITHIN .005.
 BREAK SHARP EDGES .005 TO .010.
 MACHINED FILLET RADII .005 TO .015.
 WELDING SYMBOLS PER AWS A2.4.
 ABBREVIATIONS PER MIL-STD-12.

UNLESS OTHERWISE SPECIFIED:
 DIMENSIONS ARE IN INCHES.
 DIMENSIONS IN BRACKETS [] ARE IN MILLIMETERS
 TOLERANCES ARE:
 INCHES METRIC ANGLES
 .XX ± .03 .X ± 0.8 ± 1°
 .XXX ± .010 .XX ± 0.25

MATERIAL

FINISH

DO NOT SCALE DRAWING

CONTRACT NO.

APPROVALS		DATE
ORIG	RA	9/9/06
CHK	JS	09/09/11
APP	DV	09/27/11
APP		

MASTER COPY
ONLY IF IN RED
 Chatsworth, CA

TITLE: **OUTLINE/INSTALLATION DRAWING, MODEL 3263A SERIES ACCELEROMETER**

SIZE	CAGE CODE	DWG. NO.	REV
A	2W033	127-3263A3	C

SCALE: NONE SOLIDWORKS SHEET 1 OF 1

MODEL NUMBER 3263A1	PERFORMANCE SPECIFICATION	DOC NO. PS3263A1
	TRIAxIAL ACCELEROMETER, IEPE	REV K, ECN 14928, 03/15/19



ACTUAL SIZE

- TRIAXIAL ACCELEROMETER
- HIGH SENSITIVITY
- MINIATURE SIZE

This family also includes:

Model	Sensitivity (mV/g)	Range (Gpeak)	Resolution (Grms)	Oper. Temp(*F)	TC
3263A2	100	50	0.0008	-60 to +225	1.0 to 2.0
3263A3	50	100	0.0016	-60 to +225	1.0 to 2.0
3263A14	20	250	0.004	-60 to +250	1.0 to 2.0

Please, refer to the performance specifications of the products in this family for detailed description.

SUPPLIED ACCESSORIES

a) Model 6721 mounted stud 4-40 to 4-40.

Notes:

- [1] Connector mates with Dytran cable assembly Model 6811AXX (XX= length in feet)
- [2] Measured at 100 Hz, 1 grms per ISA RP 37.2.
- [3] Measured using zero-based best straight-line method, % of F.S. or any lesser range.
- [4] Do not apply power to this device without current limiting, 20 mA MAX. To do so will destroy the integral IC amplifier.
- [5] In the interest of constant product improvement, we reserve the right to change specifications without notice.

PHYSICAL

	ENGLISH		SI	
Weight, Max.	0.2	oz	5.6	grams
Mounting, Integral Thread	4-40 UNC-2B		4-40 UNC-2B	
Connector [1]	Type 4 PIN		4 PIN	
Material Body	Material Titanium		Titanium	
Sensing Element	Material Ceramic		Ceramic	
	Mode Shear		Shear	

PERFORMANCE

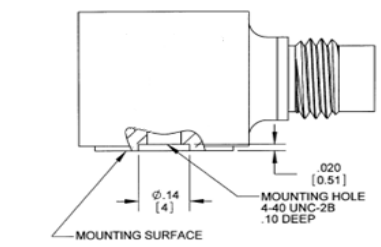
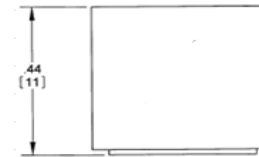
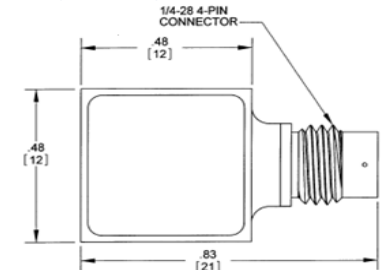
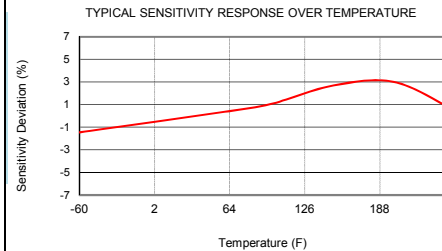
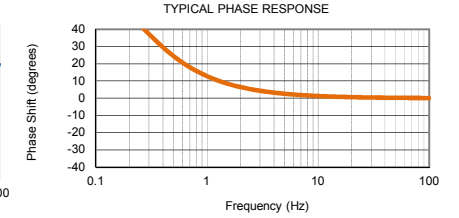
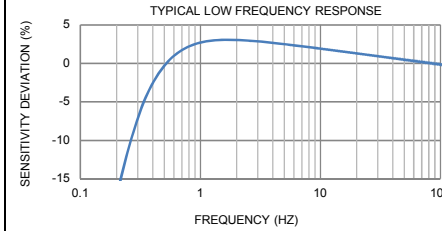
	ENGLISH		SI		
Sensitivity +/- 10% [2]	10	mV/g	1.02	mV/ m/s ²	
Range F.S. For ± 5 Volts Output	± 500	g	± 4900	m/s ²	
Frequency Response, ±5%	0.5 to 4,000	Hz	0.5 to 4,000	Hz	
Frequency Response, - 10% to + 15%	0.3 to 10000	Hz	0.3 to 10000	Hz	
Resonant Frequency	>40	KHz	>40	KHz	
Phase Response, ± 5°	2 to 3000	Hz	2 to 3000	Hz	
Linearity, Max [3]	± 1%	%F.S	± 1%	%F.S	
Transverse Sensitivity, Max.	6%		6%		
Equivalent Electrical Noise Floor	0.008	g rms	0.08	m/s ² rms	
Spectral Noise	1Hz	1000	μGrms/√(Hz)	9810	μm/s ² rms/√(Hz)
	10Hz	500	μGrms/√(Hz)	4905	μm/s ² rms/√(Hz)
	100Hz	100	μGrms/√(Hz)	981	μm/s ² rms/√(Hz)
	1000Hz	90	μGrms/√(Hz)	883	μm/s ² rms/√(Hz)
	10000Hz	50	μGrms/√(Hz)	491	μm/s ² rms/√(Hz)

ENVIRONMENTAL

	ENGLISH		SI	
Maximum Vibration	600	±gpk	5886	± m/s ² pk
Maximum Shock	5000	±gpk	49050	± m/s ² pk
Temperature Range	-60 to +250	°F	-51 to 121	°C
Seal	Hermetic		Hermetic	

ELECTRICAL

	ENGLISH		SI	
Supply Current [4]	2 to 20	mA	2 to 20	mA
Compliance Voltage Range	+18 to +30	V	+18 to +30	V
Output Impedance TYP	100	Ω	100	Ω
Bias Voltage	+11 to +13	VDC	+11 to +13	VDC
Discharge Time Constant	1.0 to 2.0	sec	1.0 to 2.0	sec



Units on the line drawing are in inches, units in brackets are in millimeters. Refer to 127-3263A3 for more information.

