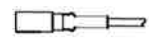
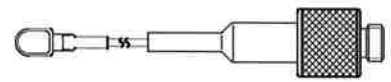
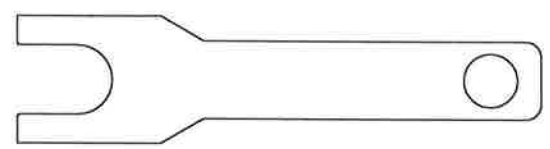
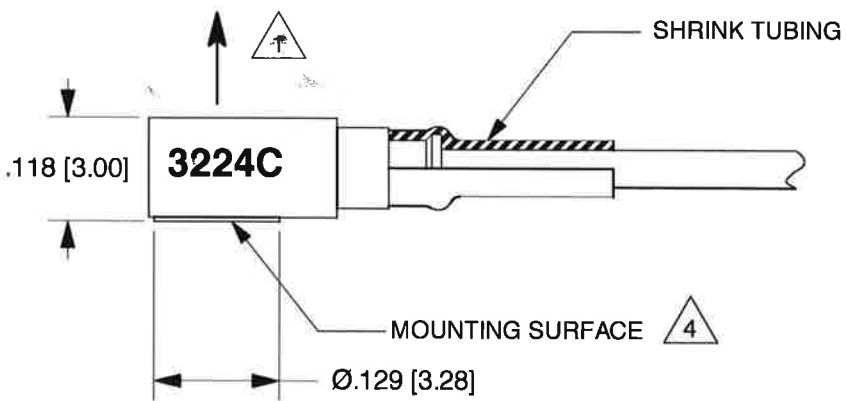
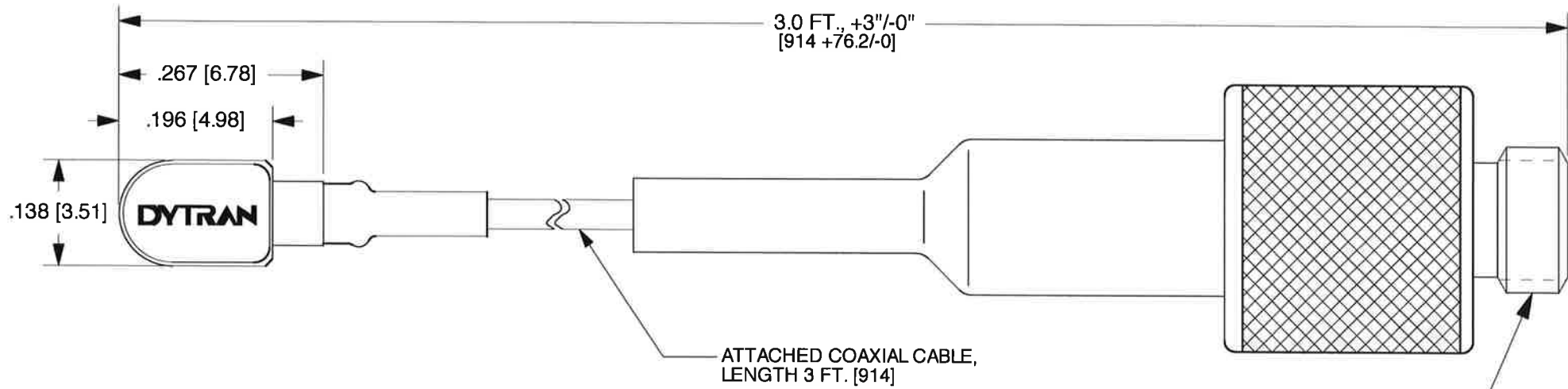


DYTRAN PROPRIETARY AND CONFIDENTIAL
 THE INFORMATION CONTAINED IN THIS DRAWING IS THE SOLE PROPERTY OF
 DYTRAN INSTRUMENTS, INC. AND ANY REPRODUCTION IN PART OR AS A WHOLE
 OR ANY OTHER DISSEMINATION OF THIS INFORMATION WITHOUT THE WRITTEN
 PERMISSION OF DYTRAN INSTRUMENTS, INC. IS PROHIBITED.

REV	ECN	DESCRIPTION	BY/DATE	CHK	APPR
E	13202	ADDED: "CE" CERTIFIED TO DRAWING TITLE	LA 01/03/17	MH	W



- 4 APPLY ADHESIVE TO THIS SURFACE TO MOUNT.
- 3. CASE AND CONNECTOR MATERIAL: TITANIUM.
- 2. WEIGHT LESS CABLE: 0.2 GRAMS.
- 1 ARROW INDICATES SENSE AND DIRECTION OF INPUT ACCELERATION FOR NEGATIVE GOING OUTPUT SIGNAL

UNLESS OTHERWISE SPECIFIED:
 DIMENSIONS ARE IN INCHES. DIMENSIONS IN
 BRACKETS () ARE IN MILLIMETERS.
 TOLERANCES ARE:

INCHES	METRIC	ANGLES
.XX ±.03	.X ±0.8	±1°
.XXX ±.005	.XX ±0.25	


MASTER ONLY IF IN RED

CHATSORTH, CA.

SCALE 5X	DESIGN N.C.	DATE 12/5/11			
DRAWN N.C.	DATE 12/5/08	PART NO. MODEL 3224C			
CHECKED DV	DATE 12/19/11	MAT'L			REV E
APPROVED ANS	DATE 12/19/11	NEXT ASSEMBLY	USED ON		
TITLE OUTLINE/INSTALLATION DRAWING, MODEL 3224C ACCELEROMETER, CHARGE MODE, "CE" CERTIFIED			DWG NO. 127-3224C		
SHEET 1 OF 1					

MODEL NUMBER 3224C	PERFORMANCE SPECIFICATION	DOC NO. PS3224C
-------------------------------------	----------------------------------	----------------------------------

CHARGE MODE ACCELEROMETER		REV H, ECN 13533, 06/30/17
----------------------------------	--	----------------------------



- MINIATURE SIZE
- HIGH SENSITIVITY
- EPOXY SEALED CABLE CONNECTION
- CHARGE MODE

	ENGLISH		SI	
PHYSICAL				
Weight, Less Cable Size	0.007	oz	0.2	grams
Width	0.138	in	3.5	mm
Length	0.267	in	6.8	mm
Height	0.188	in	4.8	mm
Mounting Provision	[1]		[1]	
Connector [2]	Integral cable		Integral cable	
Sensing Element	Planar Shear Piezoceramic		Planar Shear Piezoceramic	
PERFORMANCE				
Sensitivity [3] [4]	0.25 TO 0.45	pC/g	.025 TO .046	pC / m/s ²
Range F.S.	[7]	g	[7]	m/s ²
Frequency Response, ±5%	[5] to 10000	Hz	[5] to 10000	Hz
Resonant Frequency	>40	kHz	>40	kHz
Amplitude Non-Linearity [6]	±1%	%F.S MAX	±1%	%F.S MAX
Transverse Sensitivity, Max.	5	%	5	%
Strain Sensitivity @250µε	0.0005	g/µε	0.005	m/s ² /µε
ENVIRONMENTAL				
Maximum Vibration	250	g rms	2450	m/s ² rms
Maximum Shock	1000	g pk	9800	± m/s ² pk
Temperature Range	-60 to +350	°F	-51 to 177	°C
Seal	Laser Weld, Epoxy Sealed Cable		Laser Weld, Epoxy Sealed Cable	
ELECTRICAL				
Capacitance	220	pF	220	pF
Insulation Resistance @ Room Temp.	5 x 10 ⁹ Min.	OHMS	5 x 10 ⁹ Min.	OHMS
Output Signal Polarity for Acceleration Toward Top	Negative		Negative	

This family also includes:

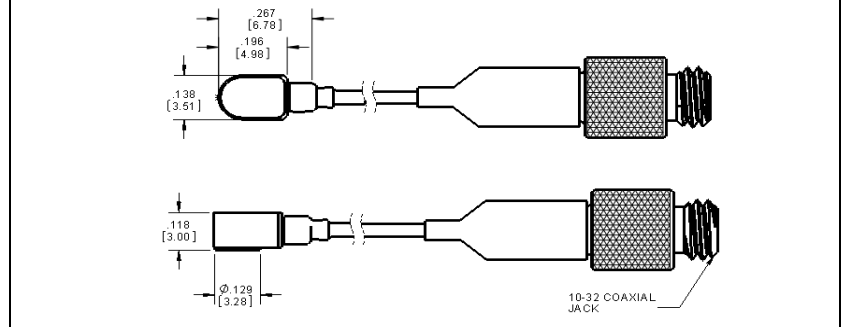
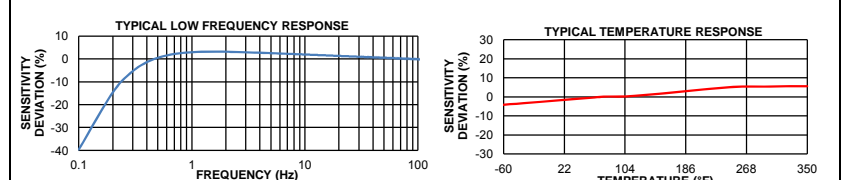
Model	Sensitivity (mV/g)	Range (Gpeak)	Resolution (Grms)	Oper. Temp(°F)	TC (sec)

Please, refer to the performance specifications of the products in this family for detailed description.

- Supplied Accessories:**
- 1) Model 6725 installation removal wrench.
 - 2) Sample of " Small Petro Mounting Wax".
 - 3) Accredited calibration certificate (ISO 17025)

- Notes:**
- [1] Flat mounting surface for adhesive mount.
 - [2] 10-32 Coaxial Jack at end of 3FT.cable
 - [3] Measured at 100 Hz, 1 G rms per ISA RP 37.2.
 - [4] Actual sensitivity is given on a calibration certificate traceable to NIST, supplied with each instrument
 - [5] Low frequency response is a function of the charge amplifier discharge time constant.
 - [6] Zero based on best fit straight line method.
 - [7] This parameter depends on the gain settings of the charge amplifier used.

CERTIFICATIONS:
CE certified (marked on each microphone)



Units on the line drawing are in inches, units in brackets are in millimeters. Refer to 127-3224C for more information.