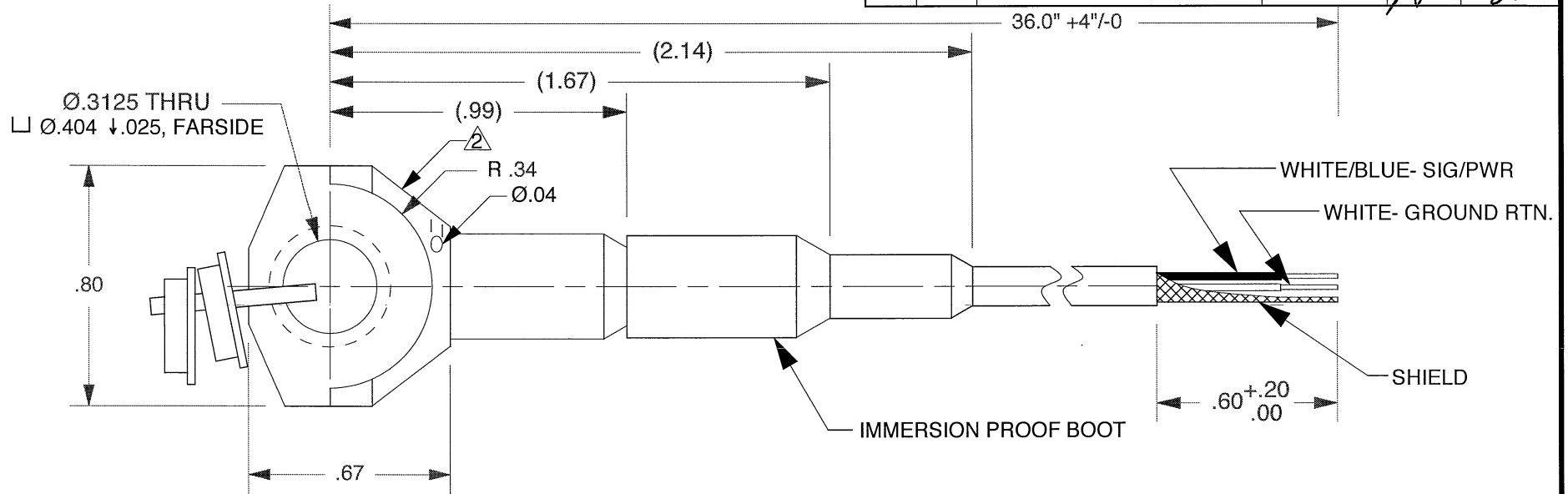
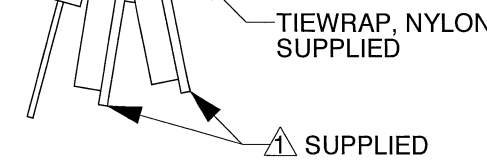
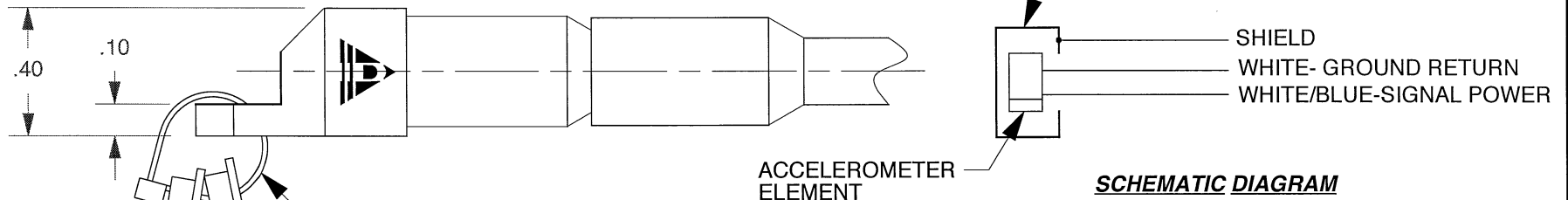


REV	ECN	DESCRIPTION	BY/DATE	CHK	APPR
C	5321	ADDED Ø.3125 THRU.....	RLA 6/27/08	CS	CES
D	8885	SEE ECN	AB 07/17/12	<i>JA</i>	<i>BA</i>



(+) SENSITIVE AXIS



▲ MARKING: DYTRAN
3077A
S/N XXX

▲ ADAPTER BUSHINGS SUPPLIED:
6555A (Ø.250, THRU HOLE)
6555A1 (Ø.188, THRU HOLE)

UNLESS OTHERWISE SPECIFIED:
DIMENSIONS ARE IN INCHES.
DIMENSIONS IN BRACKETS [] ARE IN MILLIMETERS.
TOLERANCES ARE:

INCHES	METRIC	ANGLES
.XX ±.015	.X ±0.8	±1/2°
.XXX ±.005	.XX ±0.25	

		MASTER ONLY IF IN RED		CHATSWORTH, CA.	
SCALE	2X	REV	-	DATE	SEE REV BLK
DATE	6/10/99	PART NO.	-	ECN	-
DRAWN	N.C.	CHECKED	R.A.	MAT'L	-
APPROVED	N.C.	5/14/03	NEXT ASSEMBLY	USED ON	3077A
TITLE				DWG NO.	
OUTLINE INSTALLATION DRAWING, MODEL 3077A, 3077A1				127-3077A	
SHEET				1 OF 1	

Model Number 3077A	PERFORMANCE SPECIFICATION	DOC NO PS3077A
IEPE QUARTZ SHEAR ACCELEROMETER		REV C, ECN 14311, 06/26/18



- EXCELLENT LINEARITY
- ELECTRICALLY ISOLATED
- HERMETICALLY SEALED
- IMMERSION PROOF BOOT

PHYSICAL

Weight, Less Cable, Max
Integral Cable [1]

Length

Mounting Provision, Integral Bracket

Material, Accelerometer

Sensing Material

ENGLISH		SI	
0.39	oz	11	grams
Flying Leads		Flying Leads	
36	Inches	914	mm
Ø .31 Thru Hole	Inches	Ø 7.9 Thru Hole	mm
300 Series S.S		300 Series S.S	
Quartz		Quartz	

PERFORMANCE

Sensitivity, ± 5% [2]

Range F.S for ± 5 Volts Output

Frequency Range, ± 10%

Resonant Frequency

Equivalent Electrical Noise Floor [6]

Transverse Sensitivity, Max

Linearity [3]

Strain Sensitivity @ 250µσ

10	mV/g	1	mV/m/s ²
±500	g	±4905	m/s ²
1.1 to 5000	Hz	1.1 to 5000	Hz
> 26	kHz	> 26	kHz
0.007	Grms	0.07	m/s ² rms
5	%	5	%
± 1%	% F.S.	± 1%	% F.S.
0.012	G's/µσ	0.012	G's/µσ

ENVIRONMENTAL

Maximum Vibration

Maximum Shock

Temperature Range

Coefficient of Thermal Sensitivity

Seal, Hermetic

±600	Gpeak	±5886	m/s ² peak
±3000	Gpeak	±29430	m/s ² peak
-60 to +250	°F	-51 to +121	°C
0.03	%/°F	0.05	%/°C
Welded/GTM Header		Welded/GTM Header	

ELECTRICAL

Supply Current Range [4]

Compliance Voltage Range

Output Impedence, Typ

Bias Voltage

Discharge Time Constant

Electrical Isolation, Case Ground To Mounting Surface

2 to 20	mA	2 to 20	mA
+ 18 to +30	Volts	+ 18 to +30	Volts
100	Ω	100	Ω
+7 to +9	VDC	+7 to +9	VDC
0.3 to 2.0	Sec	0.3 to 2.0	Sec
10	GΩ,min	10	GΩ,min

This family also includes:

Model	Integral Cable Length (in)
3077A1	120

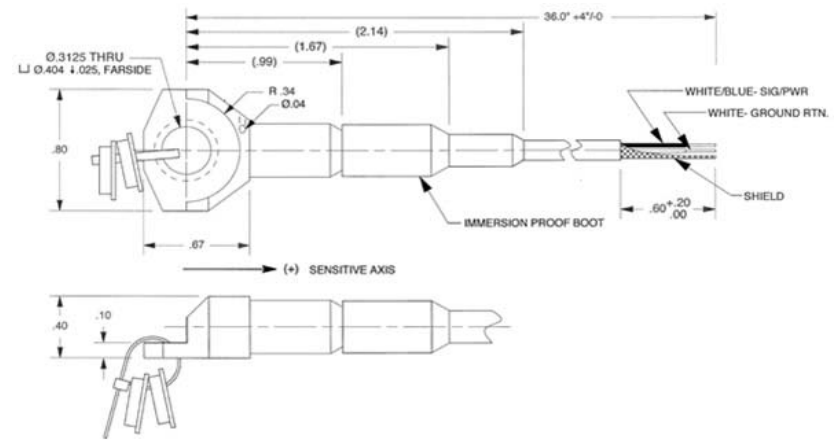
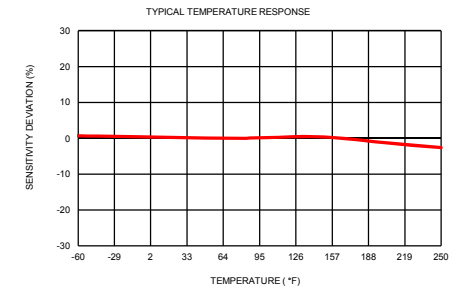
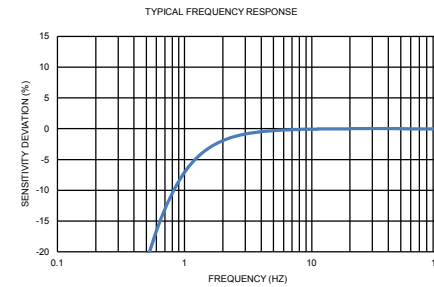
Refer to the performance specifications of the products in this family for detailed description

Supplied Accessories:

- 1) Accredited calibration certificate (ISO 17025)
- 2) Adaptor bushing (Ø .250 thru hole), model # 6555A, Qty. 1
- 3) Adaptor bushing (Ø .188 thru hole), model # 6555A1, Qty. 1

Notes:

- [1] Radially Mounted
- [2] Measured at 100Hz, 1 Grms per ISA RP 37.2
- [3] Measured using zero-based straight line method, % of F.S. or any lesser range.
- [4] Do not apply power to this system without current limiting, 20 mA MAX. To do so will destroy the IC charge amplifier.
- [5] In the interest of constant product improvement, we reserve the right to change specifications without notice.
- [6] Typical: Not to exceed 0.010 Grms [0.10 m/s²]



Units on the line drawing are in inches, units in brackets are in millimeters. Refer to 127-3077A for more information.

