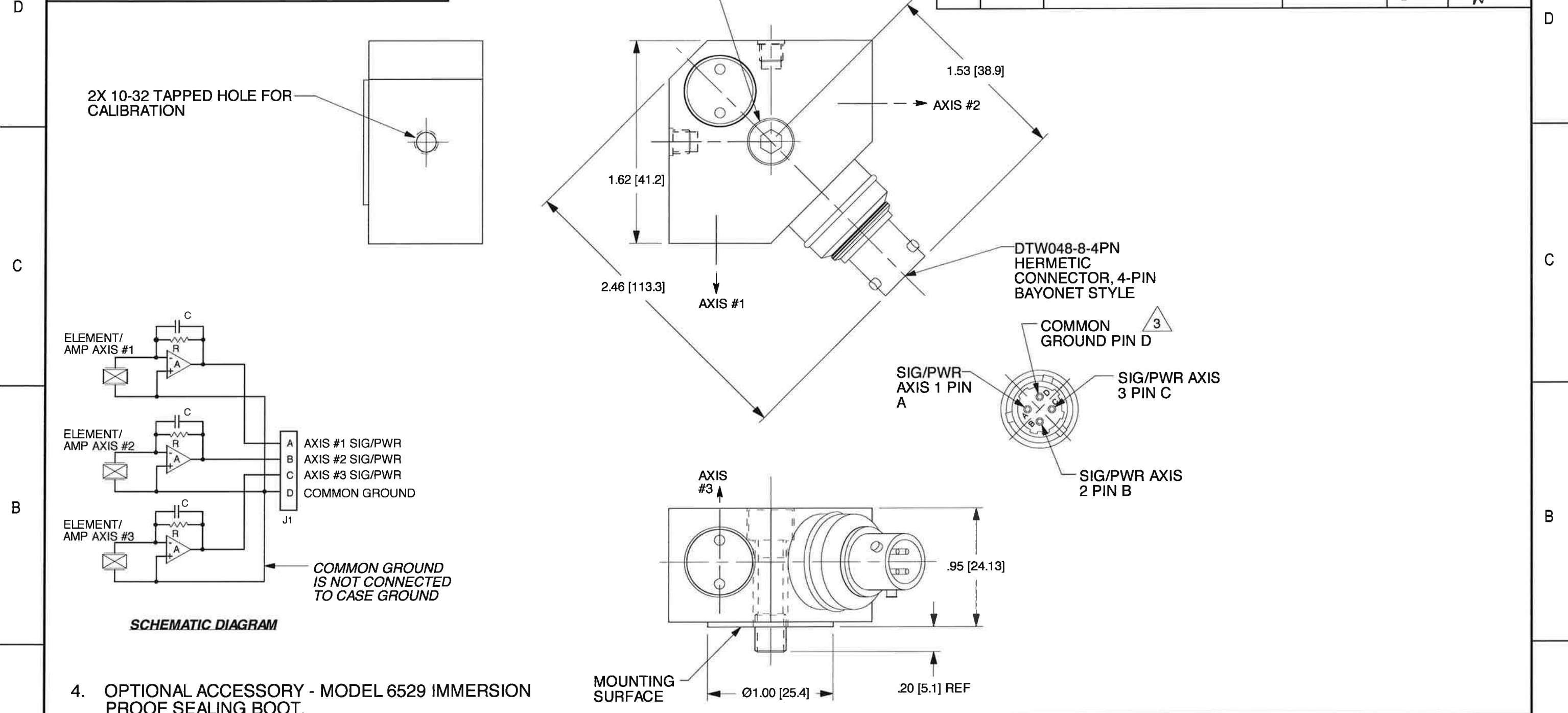


**PROPRIETARY AND CONFIDENTIAL**  
 THE INFORMATION CONTAINED IN THIS DRAWING IS THE SOLE PROPERTY OF  
 DYTRAN INSTRUMENTS INC. ANY REPRODUCTION IN PART OR AS A WHOLE  
 WITHOUT THE WRITTEN PERMISSION OF DYTRAN INSTRUMENTS INC. IS PROHIBITED

REV	ECN	DESCRIPTION	BY/DATE	CHK	APPR
A	13163	INITIAL RELEASE	RLA 12/13/16	LA	LN



- 4. OPTIONAL ACCESSORY - MODEL 6529 IMMERSION PROOF SEALING BOOT.
- 3 SIG/PWR GND RETURN IS ISOLATED FROM CASE BY > 10 MEGOHMS.
- 2. TORQUE MOUNTING SCREW TO 15 LB.-IN.
- 1. AXIS ARROWHEADS DELINEATE SENSE & DIRECTION OF POSITIVE ACCELERATION FOR POSITIVE-GOING OUTPUT VOLTAGE.

NOTES: UNLESS OTHERWISE SPECIFIED

UNLESS OTHERWISE SPECIFIED:  
 INTERPRET DIM & TOL PER ASME Y14.5M - 1994  
 REMOVE BURRS  
 COUNTERSINK INTERNAL THDS 90° TO MAJOR DIA.  
 CHAM EXT THDS 45° TO MINOR DIA.  
 THD LENGTHS AND DEPTHS ARE FOR MIN FULL THDS.  
 DIMENSIONS APPLY AFTER FINISHING.

ALL MACHINED SURFACES:  
 TOTAL RUNOUT WITHIN .005  
 BREAK SHARP EDGES .005 TO .010  
 MACHINED FILLET RADI .005 TO .015  
 WELDING SYMBOLS PER AWS A2.4  
 ABBREVIATIONS PER MIL-STD-12.

APPROVALS		DATE
DRAWN	NC	4/30/02
DESIGN	NC	4/30/02
CHK	RA	4/30/02
APP	NC	4/30/02

DO NOT SCALE DRAWING

THIRD ANGLE PROJECTION USA

**DYTRAN MASTER INSTRUMENTS INC.**  
 Chatsworth, CA  
**ONLY IF IN RED**

TITLE:  
**OUTLINE/INSTALLATION DRAWING, MODEL 3063B**

SIZE B	CAGE CODE 2W033	DWG NO <b>127-3063B</b>	REV <b>A</b>
--------	-----------------	-------------------------	--------------

SCALE: SHEET 1 OF 1

<b>Model Number</b> 3063B	<b>PERFORMANCE SPECIFICATION</b>	<b>DOC NO</b> PS3063B
	<b>INDUSTRIAL TRIAXIAL, IEPE ACCELEROMETER</b>	REV A, ECN 15644, 03/19/20



- HIGH SENSITIVITY
- ELECTRICALLY ISOLATED
- HERMETICALLY SEALED

**PHYSICAL**

Weight, Max  
Connector  
Type  
Pins  
Mounting Provision  
Material : Housing, Base and Connector  
Element Style

ENGLISH		SI	
Weight, Max	8.64 oz	245 grams	
Connector	MIL-DTL-26482 4-Pin	MIL-DTL-26482 4-Pin	
Mounting Provision	1/4-28 Captive Screw	1/4-28 Captive Screw	
Material	300 Series S.S.	300 Series S.S.	
Element Style	Planar Shear	Planar Shear	

**PERFORMANCE**

Sensitivity, ±5% [1]  
Range F.S for ± 5 Volts Output  
Frequency Range  
±5%  
±10%  
Mounted Resonant Frequency  
Equivalent Electrical Noise Floor  
Linearity [2]  
Maximum Transverse Sensitivity  
Strain Sensitivity

Sensitivity	100 mV/g	10 mV/m/s <sup>2</sup>
Range F.S	±50 g	±490.5 m/s <sup>2</sup>
Frequency Range	0.5 to 3000 Hz	0.5 to 3000 Hz
	0.3 to 5000 Hz	0.3 to 5000 Hz
Mounted Resonant Frequency	>25 kHz	>25 kHz
Equivalent Electrical Noise Floor	0.0005 Grms	0.005 m/s <sup>2</sup> rms
Linearity	± 1% % F.S.	± 1% % F.S.
Maximum Transverse Sensitivity	5 %	5 %
Strain Sensitivity	0.001 g/με	0.01 m/s <sup>2</sup> /με

**ENVIRONMENTAL**

Maximum Vibration  
Maximum Shock  
Temperature Range  
Coefficient of Thermal Sensitivity  
Seal

Maximum Vibration	1000 G's,peak	9810 m/s <sup>2</sup> peak
Maximum Shock	2000 G's,peak	19620 m/s <sup>2</sup> peak
Temperature Range	-65 to +250 °F	-54 to +121 °C
Coefficient of Thermal Sensitivity	0.03 %/°F	0.054 %/°C
Seal	Hermetic	Hermetic

**ELECTRICAL**

Supply Current Range [3]  
Compliance Voltage Range  
Output Impedance, Typ  
Bias Voltage  
Discharge Time Constant  
Electrical Isolation, SIG/PWR Pin,  
Ground Pin to Case

Supply Current Range	2 to 20 mA	2 to 20 mA
Compliance Voltage Range	+ 18 to +30 Volts	+ 18 to +30 Volts
Output Impedance, Typ	150 Ω	150 Ω
Bias Voltage	+11 to +13 VDC	+11 to +13 VDC
Discharge Time Constant	0.9 to 2.0 Sec	0.9 to 2.0 Sec
Electrical Isolation	10 GΩ,min	10 GΩ,min

**This family also includes:**

Model	Sensitivity	Range F.S ± 5 Volts	Max Vibration/Shock	Resonant Frequency

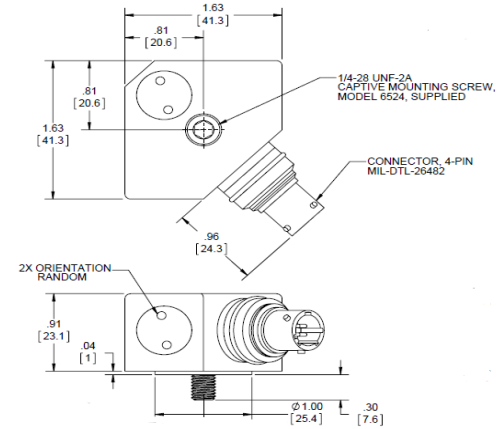
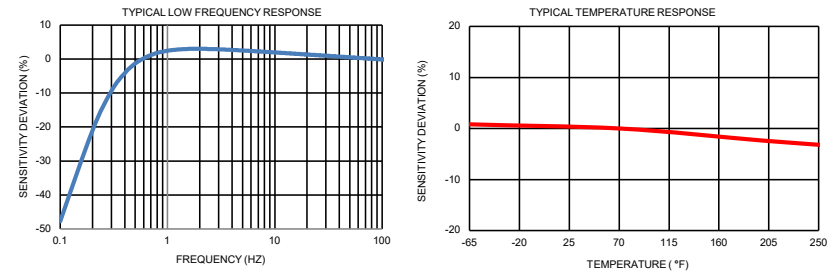
Refer to the performance specifications of the products in this family for detailed description

**Supplied Accessories:**

- 1) Accredited calibration certificate (ISO 17025)
- 2) Mounting screw Model 6524 , 1/4-28 X .89L

**Notes:**

- [1] Measured at 100Hz, 1 Grms per ISA RP 37.2
- [2] Measure using zero-based straight line method, % of F.S. or any lesser range.
- [3] Do not apply power to this system without current limiting, 20 mA MAX. To do so will destroy the IC charge amplifier.
- [4] In the interest of constant product improvement, we reserve the right to change specifications without notice. It is the customer's responsibility to validate that a particular product with the properties described in the product specification is suitable for use in a particular application. Parameters provided in datasheets and / or specifications may vary in different applications and performance may vary overtime. All operating parameters, including typical parameters, must be validated for each customer application by the customer's technical experts.



Units on the line drawing are in inches, units in brackets are in millimeters. Refer to 127-3063B for more information.



21592 Marilla Street, Chatsworth, California 91311 Phone: 818.700.7818 Fax: 818.700.7880 www.dytran.com  
For permission to reprint this content, please contact info@dytran.com