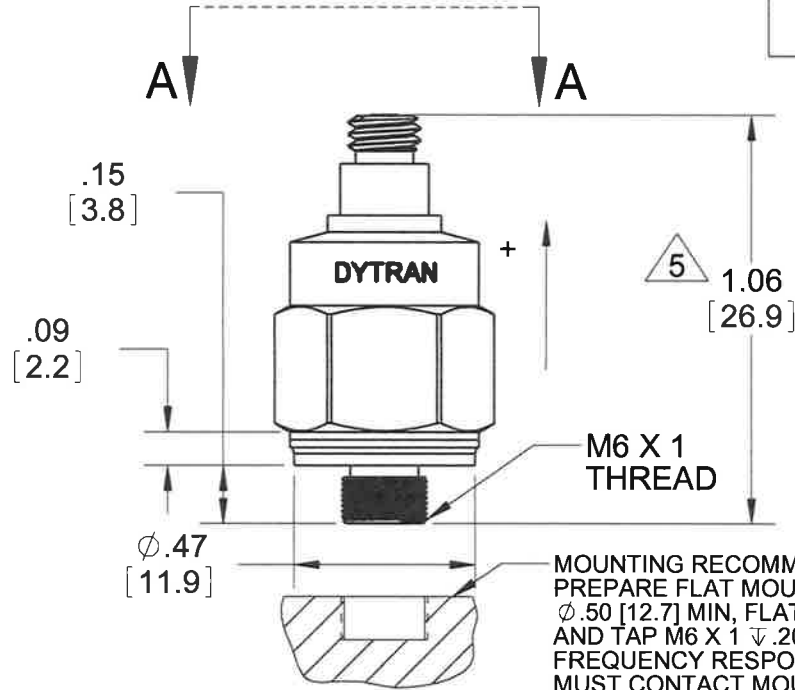


PROPRIETARY AND CONFIDENTIAL

THE INFORMATION CONTAINED IN THIS DRAWING IS THE SOLE PROPERTY OF DYTRAN INSTRUMENTS INC. ANY REPRODUCTION IN PART OR AS A WHOLE WITHOUT THE WRITTEN PERMISSION OF DYTRAN INSTRUMENTS INC. IS PROHIBITED

REVISIONS

REV	ECN	DESCRIPTION	BY/DATE	CHK	APPR
A	6432	INITIAL RELEASE	JS 12/02/09	RA	DV
B	10761	REVISED LASER MARKING, SEE ECN	EC 02/27/14	AS	

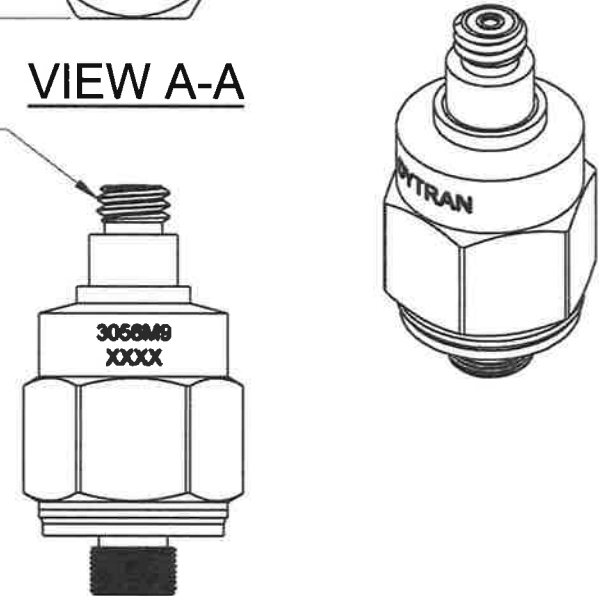


MOUNTING RECOMMENDATIONS:
 PREPARE FLAT MOUNTING SURFACE
 ϕ .50 [12.7] MIN, FLAT TO .001TIR. DRILL
 AND TAP M6 X 1 ∇ .200 [5.0] MIN.. FOR BEST
 FREQUENCY RESPONSE ACCELEROMETER
 MUST CONTACT MOUNTING SURFACE
 OVER ENTIRE MOUNTING SURFACE.



10-32 COAXIAL CONNECTOR

VIEW A-A



BACK VIEW

ARROW INDICATES ACCELERATION DIRECTION FOR POSITIVE OUTPUT.

MATES WITH DYTRAN CABLE 6010AXX & 6011AXX.

3. WEIGHT(APPROX): 11 GRAMS
2. SENSITIVITY: 50mV/g
1. HOUSING AND CONNECTOR MATERIAL: TITANIUM.

NOTES: UNLESS OTHERWISE SPECIFIED

CONTRACT NO.



TITLE:
**OUTLINE/INSTALLATION
 DRAWING 3056M9**

UNLESS OTHERWISE SPECIFIED: INTERPRET DIM & TOL PER ASME Y14.5M - 1994. REMOVE BURRS. COUNTERSINK INTERNAL THDS 90° TO MAJOR DIA. CHAM EXT THDS 45° TO MINOR DIA. THD LENGTHS AND DEPTHS ARE FOR MIN FULL THDS. THDS PER MIL-S-7742. DIMENSIONS APPLY AFTER FINISHING.	
USED ON	NEXT ASSY
APPLICATION	
THIRD ANGLE PROJECTION USA	
ALL MACHINED SURFACES. TOTAL RUNOUT WITHIN .005. BREAK SHARP EDGES .005 TO .010. MACHINED FILLET RADII .005 TO .015. WELDING SYMBOLS PER AWS A2.4. ABBREVIATIONS PER MIL-STD-12.	

UNLESS OTHERWISE SPECIFIED:
 DIMENSIONS ARE IN INCHES.
 DIMENSIONS IN BRACKETS []
 ARE IN MILLIMETERS
 TOLERANCES ARE:
 INCHES METRIC ANGLES
 .XX ± .03 .X ± 0.8 ± 1°
 .XXX ± .010 .XX ± 0.25

MATERIAL
 FINISH
DO NOT SCALE DRAWING

APPROVALS		DATE
ORIG	JS	11/13/09
CHK	RA	12/02/09
APP	DV	12/11/09
APP		

SIZE A	CAGE CODE 2W033	DWG. NO. 127-3056M9	REV B
SCALE: 2:1		SOLIDWORKS	SHEET 1 OF 1

Model Number 3056M9	PERFORMANCE SPECIFICATIONS	DOC NO PS3056M9
IEPE ACCELEROMETER		REV C, ECN 7932, 10/12/11



- HERMETICALLY SEALED
- INTEGRAL STUD MOUNTING

PHYSICAL

Weight
Connector [1]
Mounting Provision
Material, Housing/Connector
Sensing Element
Element Style

ENGLISH		SI	
0.35	oz	10.0	grams
10-32		10-32	
M6 X 1.0 THREAD		M6 X 1.0 THREAD	
TITANIUM		TITANIUM	
CERAMIC		CERAMIC	
PLANAR SHEAR		PLANAR SHEAR	

PERFORMANCE

Sensitivity, ±5% [2]
Range for ± 5 Volts Output
Frequency Response, ±5%
Resonant Frequency
Broad Band Resolution
Spectral Noise

50	mV/G	5	mV/m/s ²
100	G peak	981	m/s ²
1 to 10,000	Hz	1 to 10,000	Hz
> 32	kHz	> 32	kHz
0.0002	G rms	0.002	m/s ² rms
0.0002	µGrms/v(Hz)	0.002	µm/s ² rms/v(Hz)
0.00001	µGrms/v(Hz)	0.0001	µm/s ² rms/v(Hz)
0.000005	µGrms/v(Hz)	0.00005	µm/s ² rms/v(Hz)
0.000003	µGrms/v(Hz)	0.00003	µm/s ² rms/v(Hz)
0.000002	µGrms/v(Hz)	0.00002	µm/s ² rms/v(Hz)
±2	% F.S.	±2	% F.S.
5	%	5	%
0.001	G/µε	0.01	m/s ² /µε

ENVIRONMENTAL

Maximum Vibration
Maximum Shock
Temperature Range
Seal

500	G peak	4905	m/s ² peak
3000	G peak	29430	m/s ² peak
-60 to 250	°F	-51 to 121	°C
HERMETIC		HERMETIC	

ELECTRICAL

Supply Current Range [3]
Compliance Voltage Range
Output Impedance, Typ
Bias Voltage
Discharge Time Constant
Electrical Isolation

2 to 20	mA	2 to 20	mA
+18 to +30	Volts	+18 to +30	Volts
100	Ω	100	Ω
+9 to +12	VDC	+9 to +12	VDC
.5 to 1.5	Sec	.5 to 1.5	Sec
10	GΩ,min	10	GΩ,min

This family also includes:

Model	Sensitivity (mV/g)	Frequency Response (Hz)	Time Constant (Sec)	Operating Temp (°F)

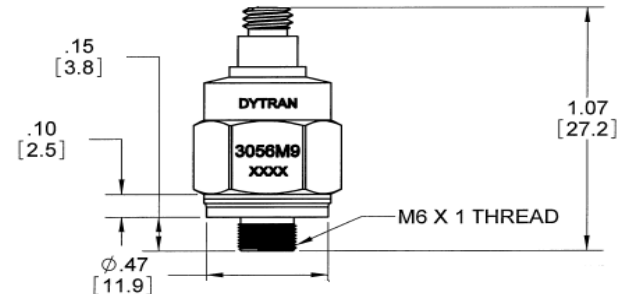
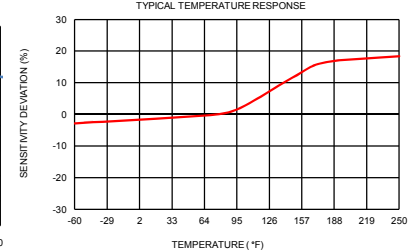
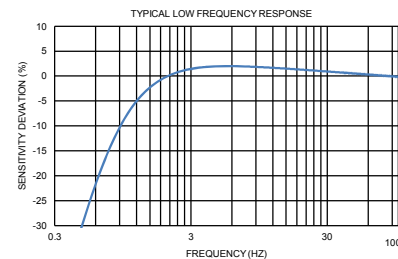
Refer to the performance specifications of the products in this family for detailed description

Supplied Accessories:

- 1) Accredited calibration certificate (ISO 17025)

Notes:

- [1] Coaxial, 10-32 connector. Mates with Dytran cable Model 6010AXX or 6011AXX
- [2] Measured at 100Hz, 1 Grms per ISA RP 37.2.
- [3] Measure using zero-based straight line method, % of F.S. or any lesser range.
- [5] Do not apply power to this system without current limiting, 20 mA MAX. To do so will destroy the IC charge amplifier.
- [6] In the interest of constant product improvement, we reserve the right to change specifications without notice.



Units on the line drawing are in inches, units in brackets are in millimeters. Refer to 127-3056M9 for more information.



21592 Marilla Street, Chatsworth, California 91311 Phone: 818.700.7818 Fax: 818.700.7880 www.dytran.com
For permission to reprint this content, please contact info@dytran.com