

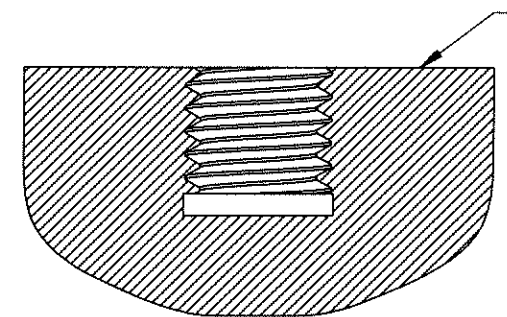
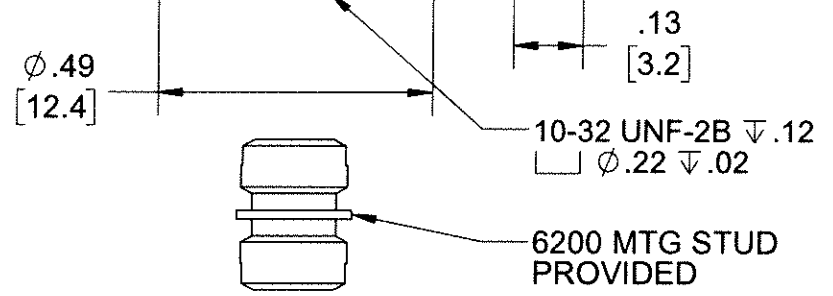
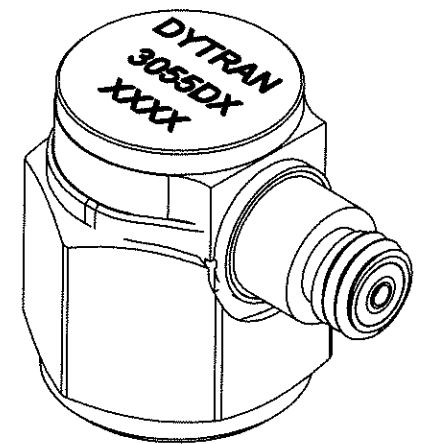
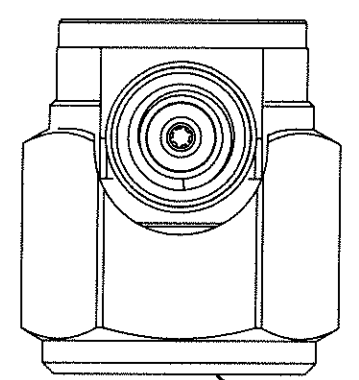
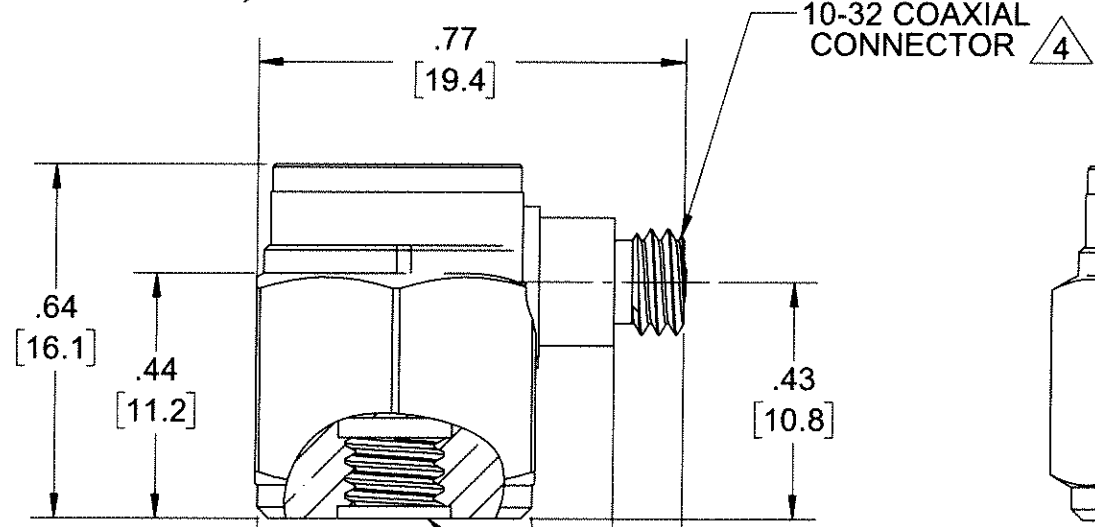
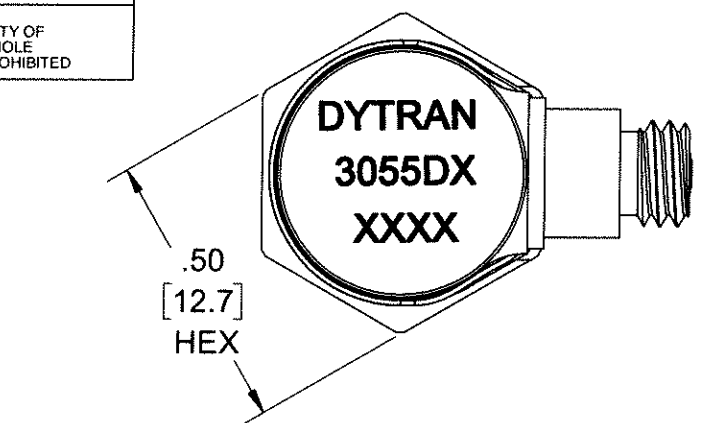
PROPRIETARY AND CONFIDENTIAL

THE INFORMATION CONTAINED IN THIS DRAWING IS THE SOLE PROPERTY OF DYTRAN INSTRUMENTS INC. ANY REPRODUCTION IN PART OR AS A WHOLE WITHOUT THE WRITTEN PERMISSION OF DYTRAN INSTRUMENTS INC. IS PROHIBITED

REVISIONS

REV.	ECN	DESCRIPTION	BY/DATE	CHK	APPR
A	11394	INITIAL RELEASE	RA, 11/05/14	EM	DV
B	14310	ZONE B3 10-32 UNF WAS: 10-32 UNC	RA, 06/28/18	MH	LN
C	14550	INITIAL RELEASE OF 3055D11 & 3055D12, SAME AS B1	DP 10/02/18	RA	LN

MODEL	SENSITIVITY
3055D1	10 mV/g
3055D2	100 mV/g
3055D3	500 mV/g
3055D4	50 mV/g
3055D5	20 mV/G
3055D6	200 mV/g
3055D11	1 mV/g
3055D12	5 mV/g



MOUNTING SURFACE HOLE PREPARATION:
SELECT SURFACE FLAT TO .001 TIR
TAP 10-32 UNF-2B X .200 MIN THD DEPTH

4 MATES WITH DYTRAN 6010AXX OR 6011AXX CABLE (XX=LENGTH IS FEET)

3. WEIGHT: 10 GRAMS, MAX.

2 ARROW INDICATES ACCELERATION DIRECTION FOR POSITIVE OUTPUT.

1. MATERIAL: TITANIUM ALLOY

NOTES: UNLESS OTHERWISE SPECIFIED

UNLESS OTHERWISE SPECIFIED:
INTERPRET DIM & TOL PER ASME Y14.5M - 1994.
REMOVE BURRS.
COUNTERSINK INTERNAL THDS 90° TO MAJOR DIA.
CHAM EXT THDS 45° TO MINOR DIA.
THD LENGTHS AND DEPTHS ARE FOR MIN FULL THDS.
DIMENSIONS APPLY AFTER FINISHING.

ALL MACHINED SURFACES.
TOTAL RUNOUT WITHIN .005.
BREAK SHARP EDGES .005 TO .010.
MACHINED FILLET RADII .005 TO .015.
WELDING SYMBOLS PER AWS A2.4.
ABBREVIATIONS PER MIL-STD-12.

UNLESS OTHERWISE SPECIFIED:
DIMENSIONS ARE IN INCHES.
TOLERANCES ARE:
DECIMALS .XX ± .01
XXX ± .005
ANGLES ± 1°

APPROVALS		DATE
DRAWN	RA	05/29/14
DESIGN	RA	01/23/14
CHK	EM	12/17/14
APP	DV	12/17/14

DO NOT SCALE DRAWING

THIRD ANGLE PROJECTION

DYTRAN MASTER
INSTRUMENTS, INC. Chatsworth, CA IN RED

TITLE: **OUTLINE/INSTALLATION, ACCEL, ISOLATED, 10 MV/G, SIDE 10-32 CONN**

SIZE B	CAGE CODE 2W033	DWG NO 127-3055D	REV C
SCALE: 3:1	PART NO:	SHEET 1 OF 1	

Model Number 3055D1	PERFORMANCE SPECIFICATIONS	DOC NO PS3055D1
-------------------------------	-----------------------------------	---------------------------

IEPE ACCELEROMETER

REV F, ECN 16090, 03/01/21



- **HERMETICALLY SEALED**
- **BASE ISOLATED**
- **IDEAL LOW FREQUENCY RESPONSE**

PHYSICAL

	ENGLISH		SI	
Weight	0.35	oz	10	grams
Connector	10-32		10-32	
Mounting Provision	10-32 X .150 ↓		10-32 X .150 ↓	
Material, Housing/Connector	Titanium		Titanium	
Sensing Element	Ceramic		Ceramic	
Element Style	Planar Shear		Planar Shear	

PERFORMANCE

	ENGLISH		SI	
Sensitivity, ± 5% [1]	10	mV/g	1	mV/m/s ²
Range for ± 5 Volts Output	500	g pk	4905	m/s ² pk
Frequency Response, ± 5%	1 to 5000	Hz	1 to 5000	Hz
Frequency Response, ± 10%	1 to 10000	Hz	1 to 10000	Hz
Resonant Frequency	> 36	kHz	> 36	kHz
Broad Band Resolution	0.0030	g RMS	0.029	m/s ² RMS
Spectral Noise				
1Hz	340	µg RMS/√(Hz)	3335	m/s ² RMS/√(Hz)
10Hz	130	µg RMS/√(Hz)	1275	m/s ² RMS/√(Hz)
100Hz	36	µg RMS/√(Hz)	353	m/s ² RMS/√(Hz)
1000Hz	21	µg RMS/√(Hz)	206	m/s ² RMS/√(Hz)
10000Hz	12	µg RMS/√(Hz)	117.7	m/s ² RMS/√(Hz)
Linearity [2]	± 1	% F.S.	± 1	% F.S.
Maximum Transverse sensitivity	5	%	5	%
Strain Sensitivity @ 250µε	0.002	g/µε	0.02	m/s ² /µε

ENVIRONMENTAL

Maximum Shock	5000	g pk	49050	m/s ² pk
Temperature Range (<3% Sensitivity Deviation)	+50 to +100	°F	+10 to +38	°C
Temperature Range	-67 to +225	°F	-55 to +107	°C
Seal	Hermetic		Hermetic	

ELECTRICAL

Supply Current Range [3]	2 to 20	mA	2 to 20	mA
Compliance Voltage Range	18 to +30	Volts	18 to +30	Volts
Output Impedence, Type	100	Ω	100	Ω
Bias Voltage	11 to 13	VDC	11 to 13	VDC
Discharge Time Constant	0.5 to 1.5	Sec	0.5 to 1.5	Sec
Electrical Isolation	10	GΩ,min	10	GΩ,min

This family also includes:

Model	Sensitivity (mV/g)	Frequency Response (Hz)	Time Constant (Sec)	Operating Temp (°F)
3055D2	100	1 to 10000	0.5 to 1.5	-67 to +250
3055D3	500	1 to 10000	0.5 to 1.5	-67 to +225
3055D4	50	1 to 10000	0.5 to 1.5	-67 to +250
3055D5	20	1 to 10000	0.5 to 1.5	-67 to +250
3055D6	200	1 to 10000	0.5 to 1.5	-67 to +225
3055D11	1	1 to 10000	0.5 to 1.5	-67 to +250
3055D12	5	1 to 10000	0.5 to 1.5	-67 to +250

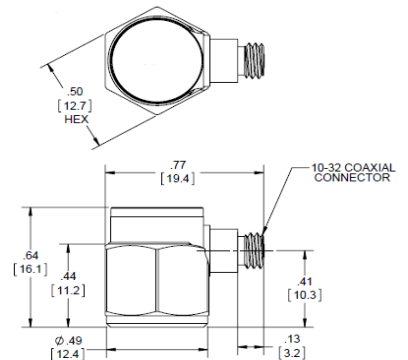
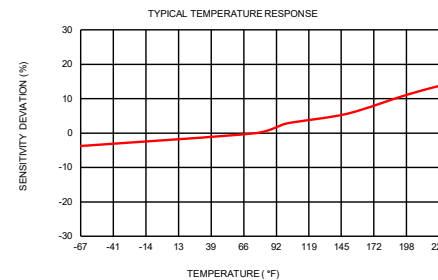
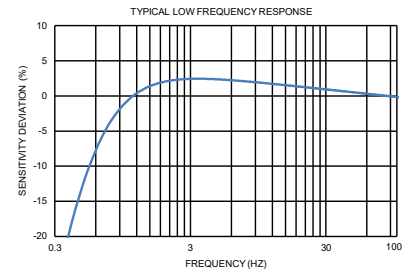
Refer to the performance specifications of the products in this family for detailed description

Supplied Accessories:

- 1) Accredited calibration certificate (ISO 17025)
- 2) Model 6200 mounting stud, qty 1

Notes:

- [1] Measured at 100Hz, 1 g RMS per ISA RP 37.2.
 - [2] Measure using zero-based straight line method, % of F.S. or any lesser range.
 - [3] Do not apply power to this system without current limiting, 20 mA MAX. To do so will destroy the IC charge amplifier.
 - [4] In the interest of constant product improvement, we reserve the right to change specifications without notice.
- It is the customer's responsibility to validate that a particular product with the properties described in the product specification is suitable for use in a particular application. Parameters provided in datasheets and / or specifications may vary in different applications and performance may vary over time. All operating parameters, including typical parameters, must be validated for each customer application by the customer's technical experts.



Units on the line drawing are in inches, units in brackets are in millimeters. Refer to 127-3055D for more information.



21592 Marilla Street, Chatsworth, California 91311 Phone: 818.700.7818 Fax: 818.698.0362 www.dytran.com
For permission to reprint this content, please contact info@dytran.com