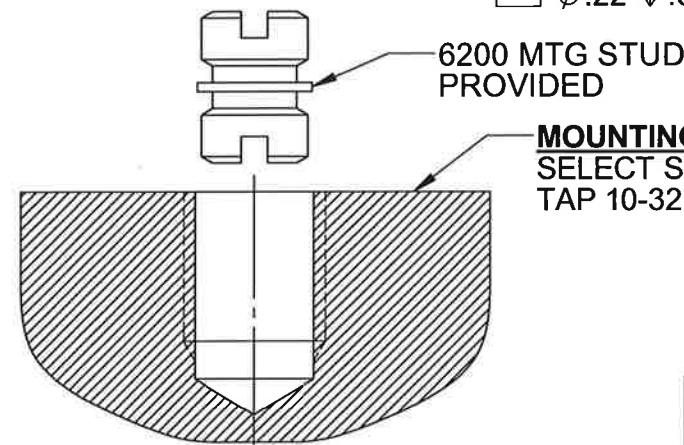
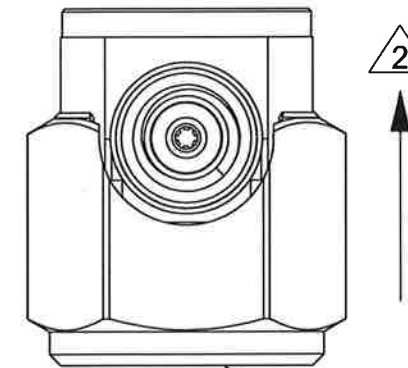
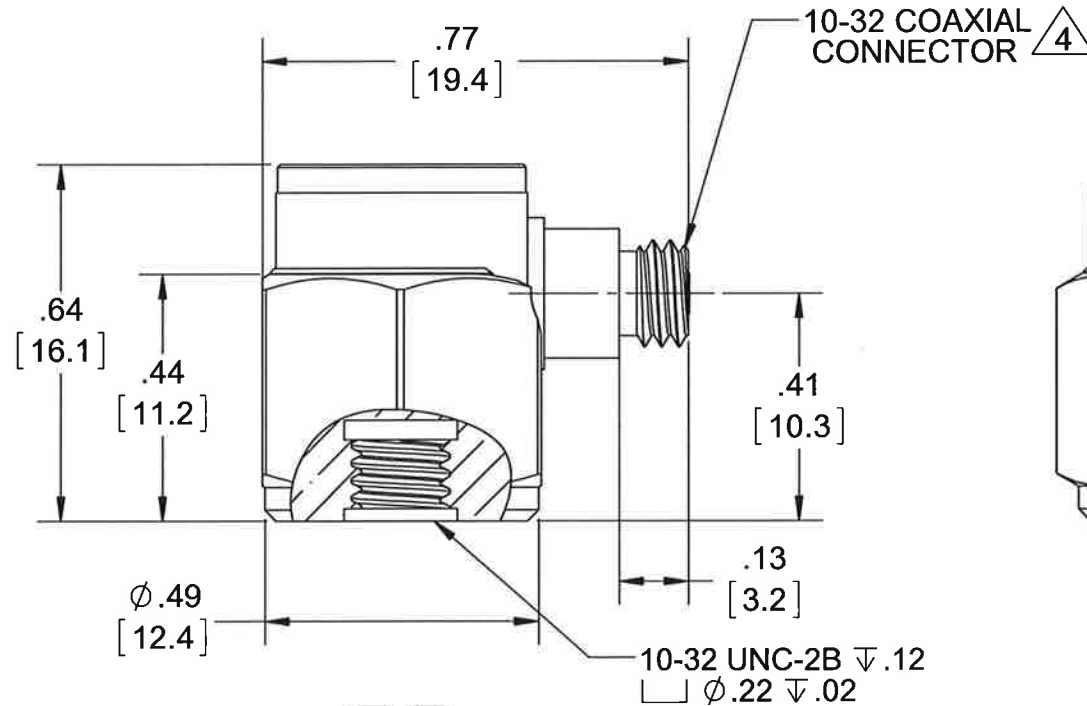
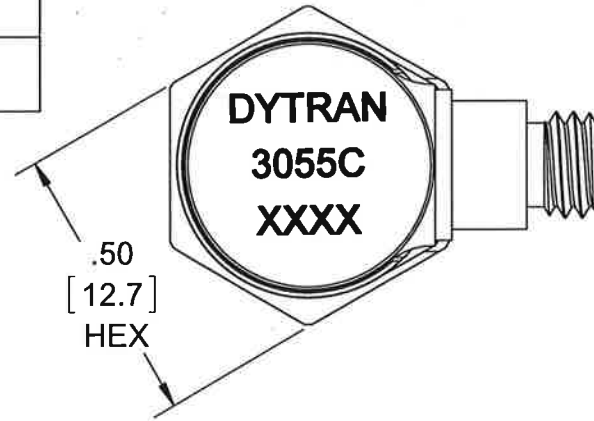


PROPRIETARY AND CONFIDENTIAL

THE INFORMATION CONTAINED IN THIS DRAWING IS THE SOLE PROPERTY OF DYTRAN INSTRUMENTS INC. ANY REPRODUCTION IN PART OR AS A WHOLE WITHOUT THE WRITTEN PERMISSION OF DYTRAN INSTRUMENTS INC. IS PROHIBITED

REVISIONS					
REV.	ECN	DESCRIPTION	BY/DATE	CHK	APPR
A	11863	INITIAL RELEASE	RA, 06/04/15	Em	LN



MOUNTING SURFACE HOLE PREPARATION:
 SELECT SURFACE FLAT TO .001 TIR
 TAP 10-32 UNF-2B X .200 MIN THD DEPTH

10-32 UNC-2B ∇ .12
 \square Ø.22 ∇ .02

ISOLATION CUP

4 MATES WITH DYTRAN 6010AXX OR 6011AXX CABLE (XX=LENGTH IS FEET)

3. WEIGHT: 10 GRAMS, MAX.

2 ARROW INDICATES ACCELERATION DIRECTION FOR NEGATIVE OUTPUT.

1. MATERIAL: TITANIUM ALLOY

NOTES: UNLESS OTHERWISE SPECIFIED

UNLESS OTHERWISE SPECIFIED: INTERPRET DIM & TOL PER ASME Y14.5M - 1994. REMOVE BURRS. COUNTERSINK INTERNAL THDS 90° TO MAJOR DIA. CHAM EXT THDS 45° TO MINOR DIA. THD LENGTHS AND DEPTHS ARE FOR MIN FULL THDS. DIMENSIONS APPLY AFTER FINISHING.		UNLESS OTHERWISE SPECIFIED: DIMENSIONS ARE IN INCHES. TOLERANCES ARE: DECIMALS .XX ±.01 .XXX ±.005		ANGLES ±1°	
APPROVALS		DATE		<p>TITLE: OUTLINE/INSTALLATION, ACCEL, ISOLATED, 10 MV/G, SIDE 10-32 CONN</p>	
DRAWN	RA	05/29/14			
DESIGN	RA	01/23/14			
CHK	Em	6/29/15			
APP	LN	7/14/15		SIZE B	CAGE CODE 2W033
DO NOT SCALE DRAWING		THIRD ANGLE PROJECTION		DWG NO 127-3055C	REV A
				SCALE: 3:1	PART NO: SHEET 1 OF 1

MODEL NUMBER 3055C	PERFORMANCE SPECIFICATION			DOC NO. PS3055C

REV D, ECN 14885, 02/04/19



- HERMETICALLY SEALED
- HIGH CHARGE OUTPUT
- ROBUST DESIGN
- BASE ISOLATED

PHYSICAL

Weight
Connector [1]
Housing
Sensing Element

	ENGLISH		SI	
Type	0.35	oz	10.0	grams
Material	Coaxial		Coaxial	
Material	Titanium		Titanium	
Material	Titanium		Titanium	
Mode	Ceramic		Ceramic	
	Shear		Shear	

PERFORMANCE

Sensitivity, ± 15% [2]
Acceleration Range [3]
Frequency Range, ±5%
Resonance Frequency
Linearity [4]
Transverse Sensitivity Max

	15	pC/g	1.53	pC/m/s ²
	[3]	Gpeak	[3]	m/s ² peak
	[5] 5000	Hz	[5] 5000	Hz
	32	kHz	32	kHz
	±1	%	±1	%
	5	%	5	%

ENVIRONMENTAL

Shock Max
Vibration Max
Operating Temperature
Seal
Coefficient of Thermal Sensitivity

	5000	g pk	49050	m/s ²
	600	g pk	5886	m/s ²
	-60 to +375	°F	-51 to +190	°C
	Hermetic		Hermetic	
	0.06	%/°F	0.11	%/°C

ELECTRICAL

Capacitance, nom
Electrical Isolation

	975	pF	975	pF
	10	GΩ, min	10	GΩ, min

This family also includes:

Model	Sensitivity (pC/g)	Range (Gpeak)	Resolution (Grms)	Oper. Temp(°F)

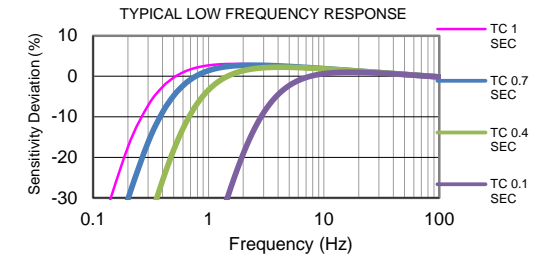
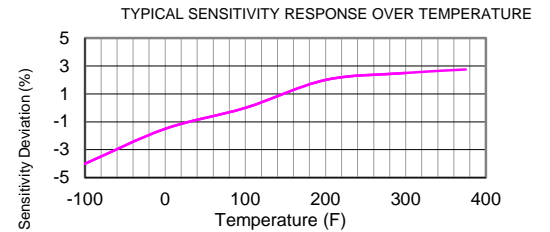
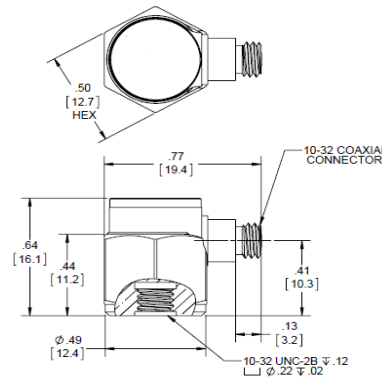
Please, refer to the performance specifications of the products in this family for detailed description

Supplied Accessories:

- 1) Model 6200 Mounting Stud
- 2) Accredited Calibration Certificate (ISO 17025)

Notes:

- [1] Mates with Dytran cable Model 6013AXX or 6019AXX (XX= Length in feet).
- [2] Measured At 100 Hz, 1 Grms per ISA RP 37.2
- [3] Depends On the Gain Setting Of The Charge Amplifier Used
- [4] Measured using zero-based best straight line method, % of F.S. or any lesser calibrated range.
- [5] Low Frequency Response Is the Function Of the Discharge Time Constant Of The Charge Amplifier Used. Please, Refer To The Plot Below For Frequency Response For Different Time Constants



Units on the line drawing are in inches, units in brackets are in millimeters. Refer to 127-3055C for more



21592 Marilla Street, Chatsworth, California 91311 Phone: 818.700.7818 Fax:818.700.7880 www.dytran.com For permission to reprint this content, please contact info@dytran.com