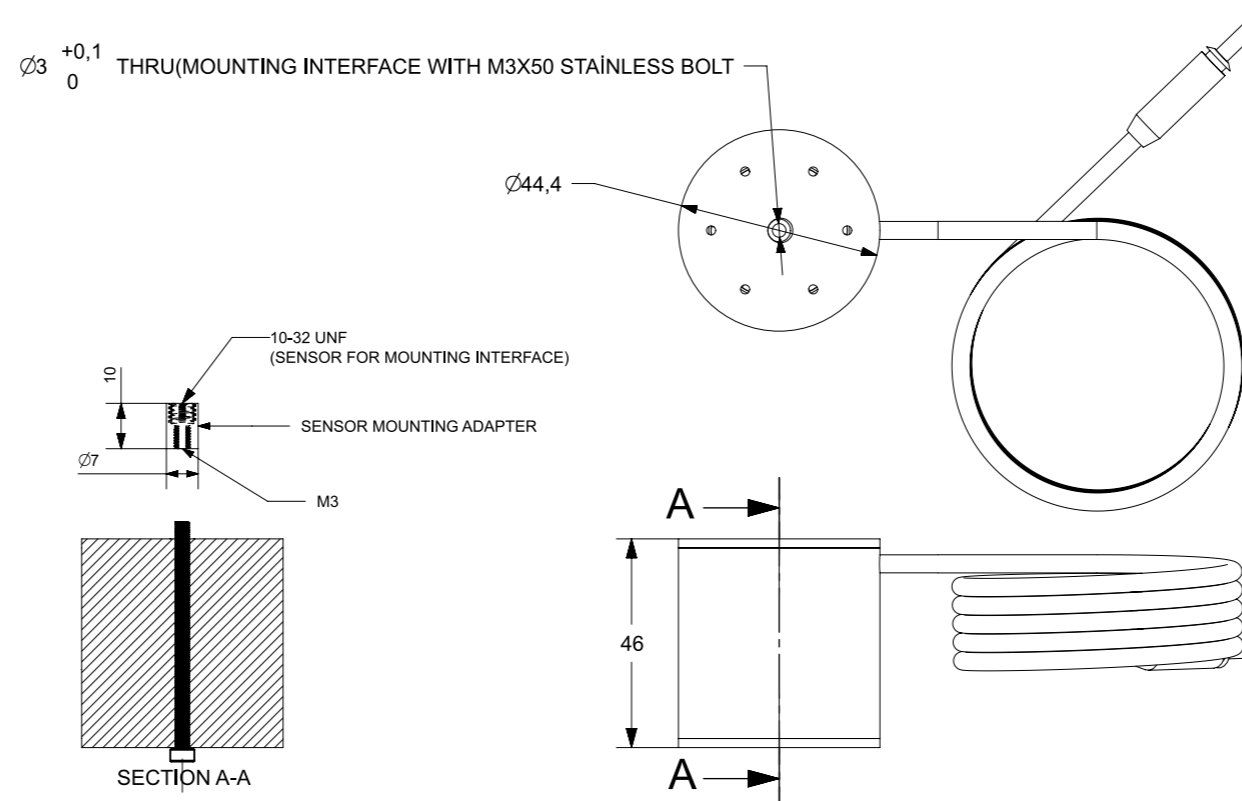
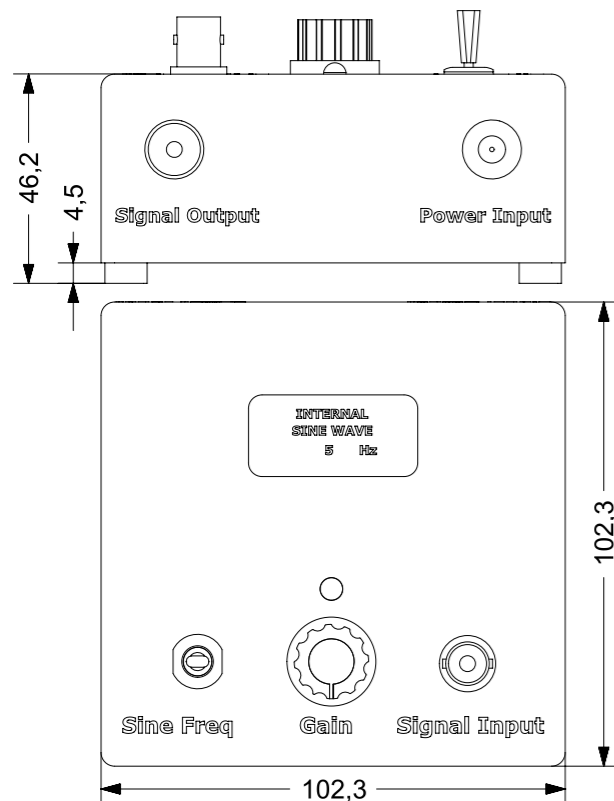
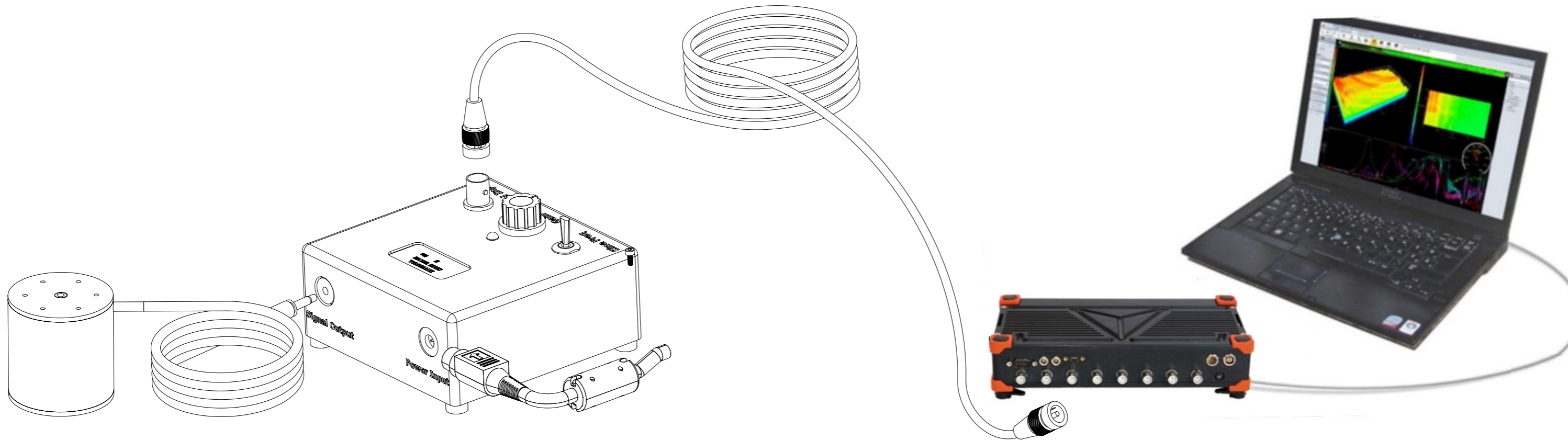


DYNALABS INERTIAL SHAKER(DYN-IS-20)



Output Force	20 N
Frequency Range	10-3000 Hz
Displacement(Peak to Peak)	8 mm
Moving Mass	0.1 kg
Shaker Weight	0.3 kg
Cooling System	Natural Convection
Operating Temperature Range	5-35 °C
Suspension	Spring
Maximum Input Current	4A (RMS)
AMPLIFIER	EXTERNAL
Amplifier Weight	0.65 kg
Power Supply Voltage	19V DC
Power Supply Current	4.74 A
External Signal Voltage Level	1 VAC(PEAK)

System Components :Electrodynamic Shaker (Integrated Cable(5meter)) + Amplifier(DYN-SA-150)+Signal Cable(BNC-BNC)(5 meter)+Amplifier Power Adapter+ M3X50 Stainless Bolt+Sensor Mounting Adapter+User Manual

All dimensions in mm