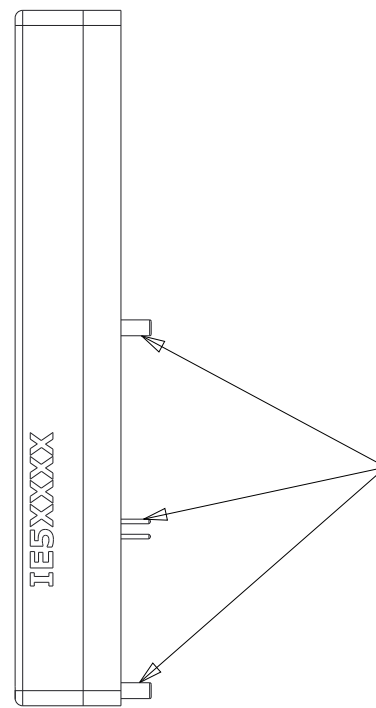
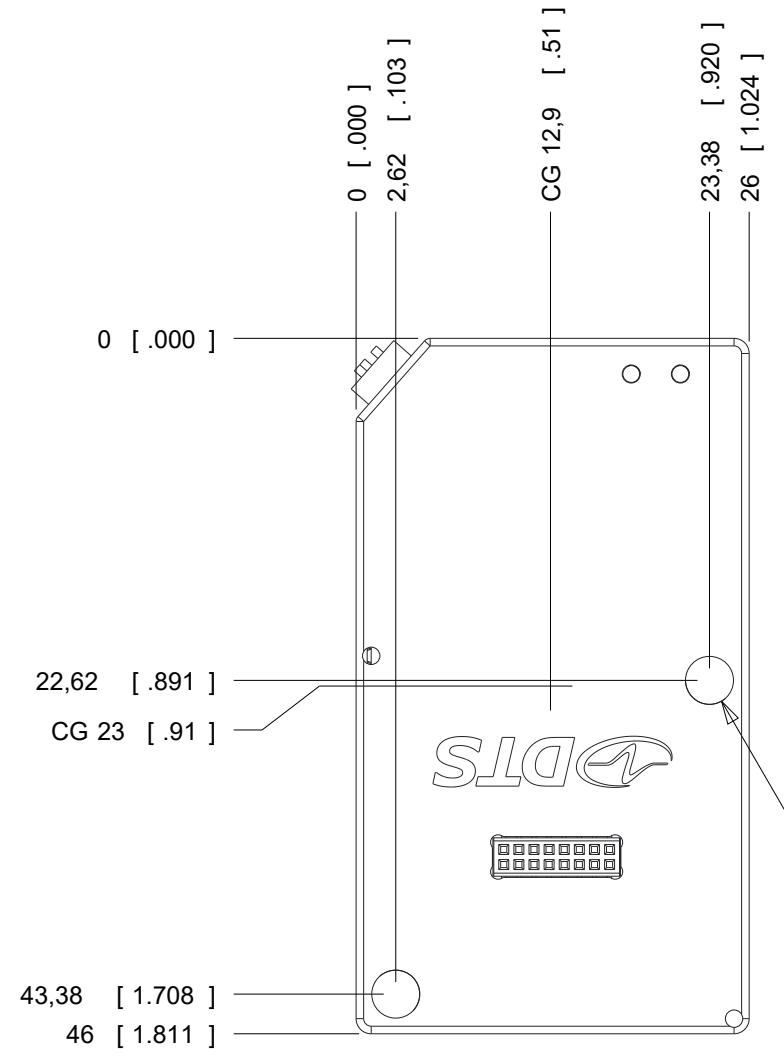
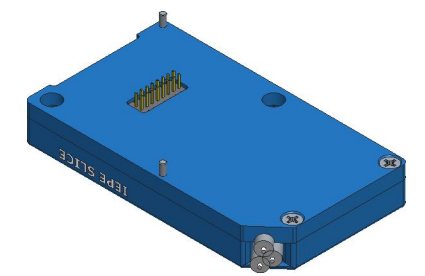


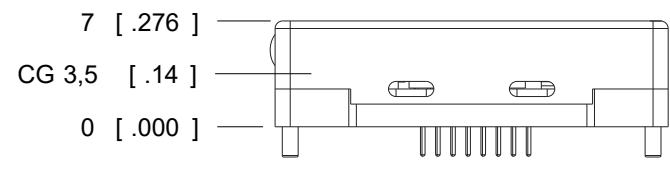
REVISIONS			
REV	DESCRIPTION	DATE	APPR




ALIGNMENT PINS & CONNECTOR  
TO PLUG INTO OTHER NANOS



2X Ø 3,18 [.125] THRU  
MOUNTING THRU HOLES FOR:  
M2.5 (LOOSE FIT) 4-40 (FREE FIT) M3 (TIGHT FIT)



MM [INCH]  
ALL DIMENSIONS ± 0.13 [.005]  
CENTER OF GRAVITY ± 1 [.039]  
WEIGHT: 23 GRAMS ± 5 GRAMS

UNLESS OTHERWISE SPECIFIED DIMENSION ARE IN MM TOLERANCES ARE: DECIMALS: ANGLES: .X ± .25 ± .5° .XX ± .1		 909 ELECTRIC AVE, SUITE 206 SEAL BEACH, CA 90740 562-493-0158	
DO NOT SCALE DRAWING		NAME/DESC: <b>SLICE NANO IEPE, MOUNTING DIMENSIONS</b>	
MATERIAL: <b>ALUMINUM ENCLOSURE</b>	DRAWING NO:	REV: 0	
DRAWN BY: G NEWTON 4/14/17	SIZE: B	SCALE: 2:1	SHEET: 1 OF 1