

**INTELLECTUAL PROPERTY STATEMENT**  
 This drawing contains information that is the property of Diversified Technical Systems, Inc. (DTS). All copyright, patent, and ownership rights are retained. This information shall not be disclosed, reproduced in whole or in part, or used for manufacture without prior written consent from DTS.

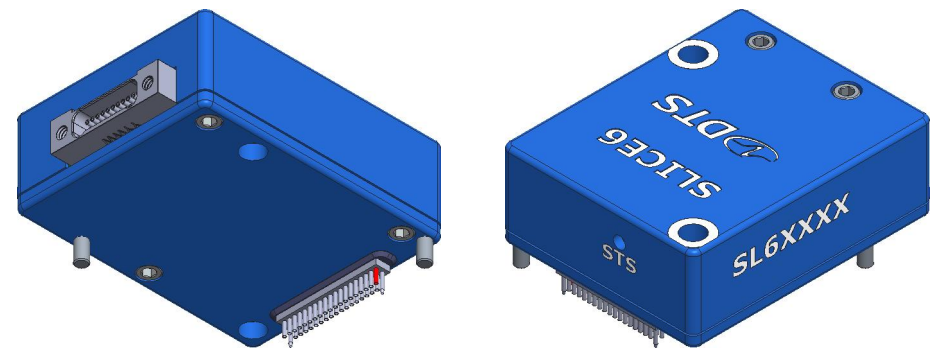
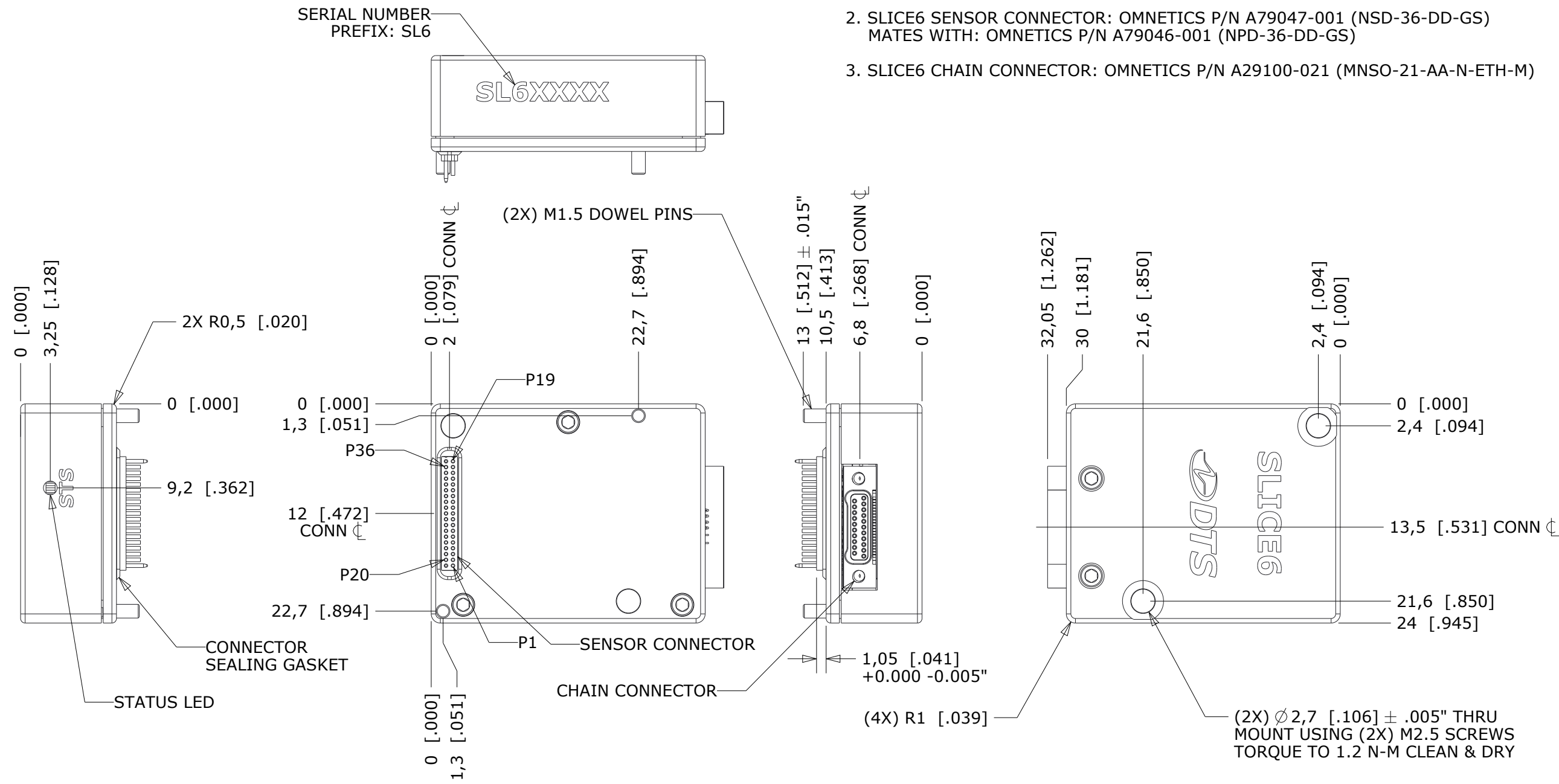
REV	ZONE	DESCRIPTION	DATE	BY
2		P/N, DRAWING FORMAT	2017-08-28	GN

**NOTES:**

1. MASS: 15 GRAMS ±3 GRAMS
2. SLICE6 SENSOR CONNECTOR: OMNETICS P/N A79047-001 (NSD-36-DD-GS)  
 MATES WITH: OMNETICS P/N A79046-001 (NPD-36-DD-GS)
3. SLICE6 CHAIN CONNECTOR: OMNETICS P/N A29100-021 (MNSO-21-AA-N-ETH-M)

**SENSOR CONNECTOR PIN ASSIGNMENTS**

Pin	Signal
1	-
2	+EXCIT-CH4
3	+SIG-CH4
4	-SIG-CH4
5	-EXCIT-CH4
6	+EXCIT-CH1
7	+SIG-CH1
8	-SIG-CH1
9	-EXCIT-CH1
10	+ID-CH4
11	-ID-CH4,5,6
12	+ID-CH1
13	-ID-CH1,2,3
14	+EXCIT-CH5
15	+SIG-CH5
16	-SIG-CH5
17	-EXCIT-CH5
18	+EXCIT-CH2
19	-
20	+SIG-CH2
21	-SIG-CH2
22	-EXCIT-CH2
23	+ID-CH5
24	+ID-CH2
25	+EXCIT-CH6
26	+SIG-CH6
27	-SIG-CH6
28	-EXCIT-CH6
29	+EXCIT-CH3
30	+SIG-CH3
31	-SIG-CH3
32	-EXCIT-CH3
33	+ID-CH6
34	+ID-CH3
35	TEMP-VDC
36	Earth (GND)

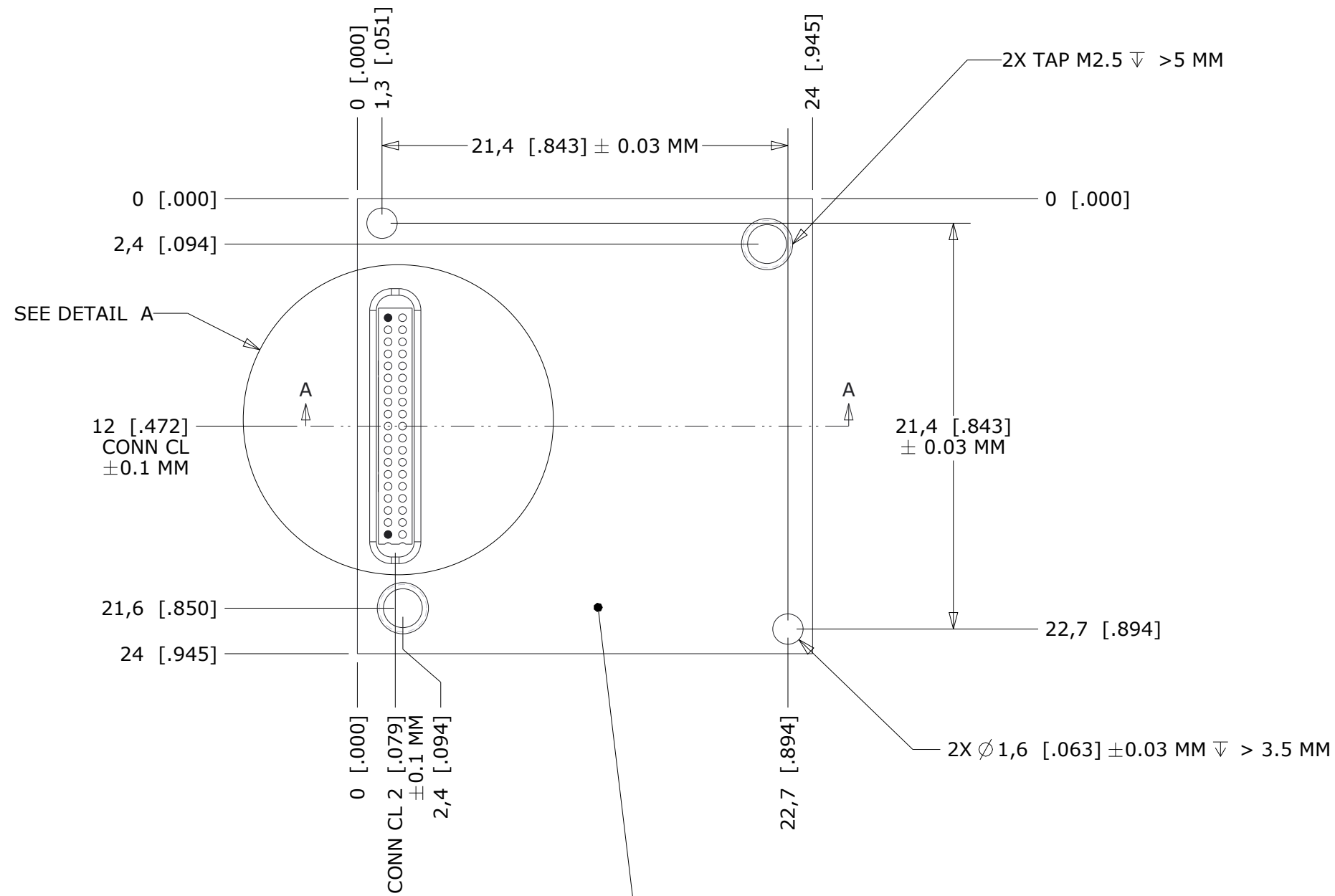


SEAL BEACH, CA 90740 562-493-0158 www.dtsweb.com	DESCRIPTION:		SLICE6 DAS, MOUNTING DRAWING	
	MATERIAL:	DTS P/N:		REV:
6061-T6 ALUMINUM HOUSING W/ BLUE ANODIZE			2	
UNLESS OTHERWISE SPECIFIED:	DRAWN:		G NEWTON	
UNITS = MM [INCH] DIMENSIONAL TOLERANCES ±.254 [0.010"] INTERPRET PER ASME Y14.5. DO NOT SCALE.	DATE:	SIZE:	SCALE:	SHEET:
	2016-09-20	B	2:1	1 OF 2

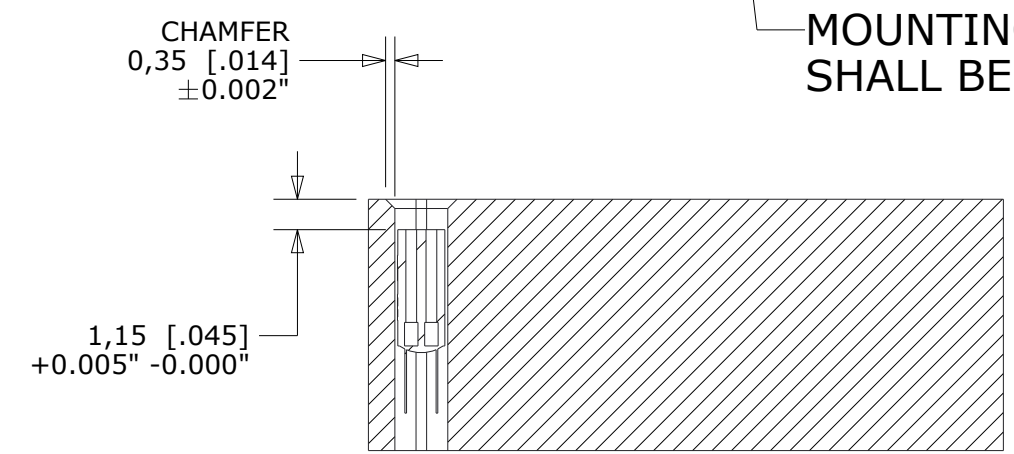
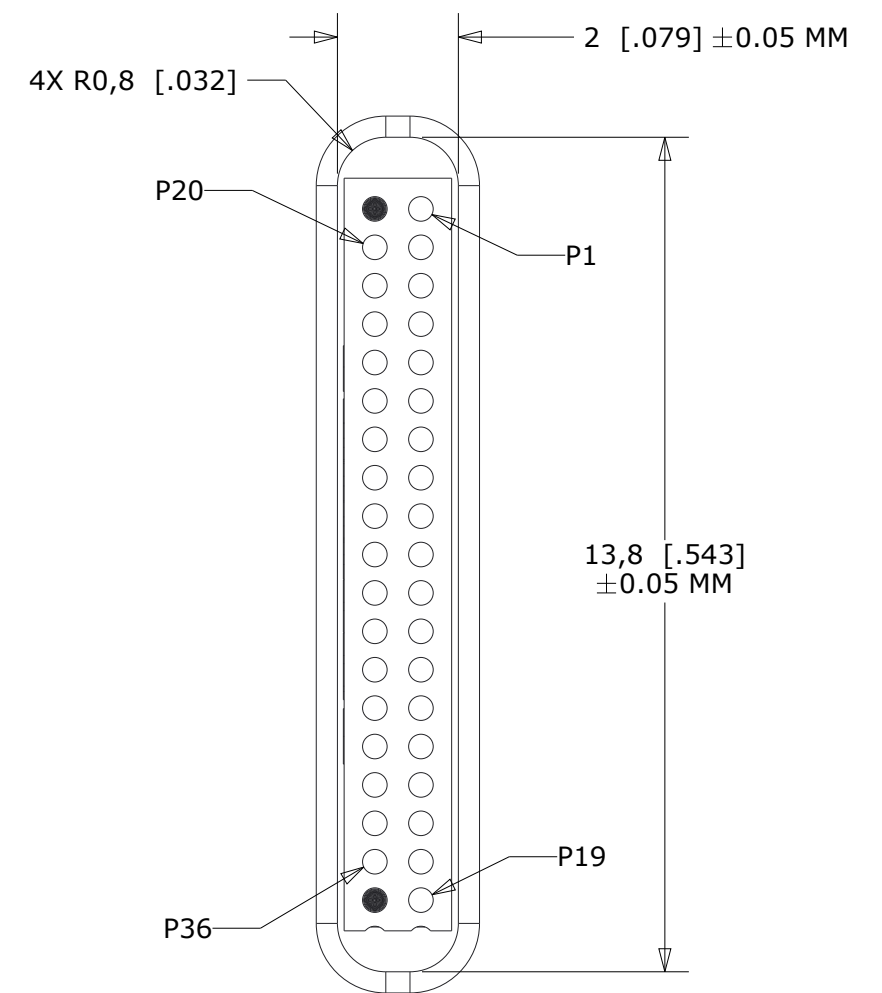
**INTELLECTUAL PROPERTY STATEMENT**  
 This drawing contains information that is the property of Diversified Technical Systems, Inc. (DTS). All copyright, patent, and ownership rights are retained. This information shall not be disclosed, reproduced in whole or in part, or used for manufacture without prior written consent from DTS.

# SENSOR ATTACHMENT DIMENSIONS

## -- MINIMUM PLATFORM SIZE --



**MOUNTING SURFACE AND THREADED HOLES SHALL BE ELECTRICALLY CONDUCTIVE AND GROUNDED**



DESCRIPTION:			
SLICE6 DAS, MOUNTING DRAWING			
DTS P/N:		REV:	
		2	
DRAWN: G NEWTON			
DATE:	SIZE:	SCALE:	SHEET:
2016-09-20	B	3.5:1	2 OF 2