

This drawing contains design and other information which is the property of SpaceAge Control, Inc. Except for rights expressly granted by contract to the United States Government, this drawing and data disclosed herein or herewith is not to be reproduced, used, or disclosed in whole or in part to anyone without the written permission of SpaceAge Control, Inc.

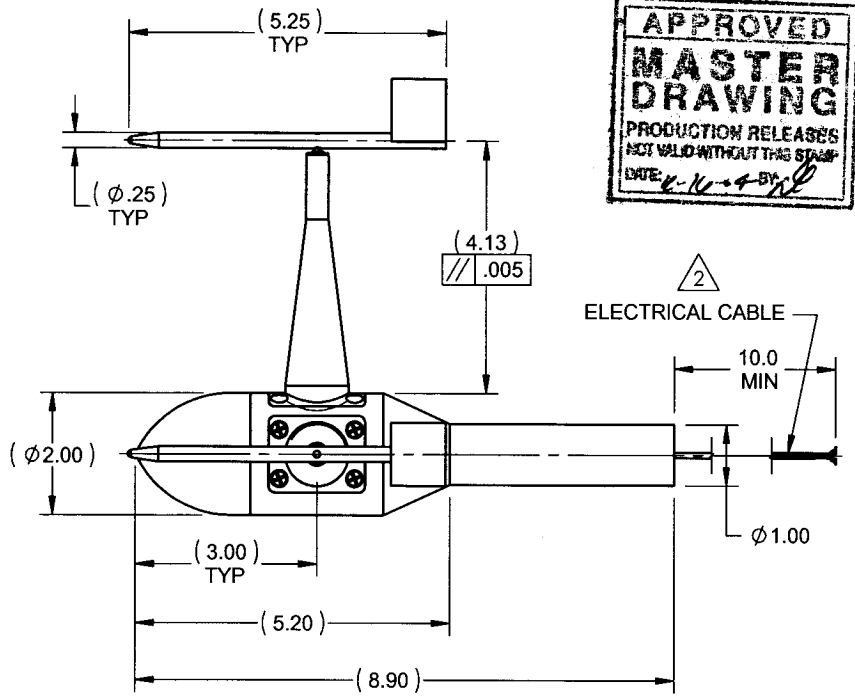
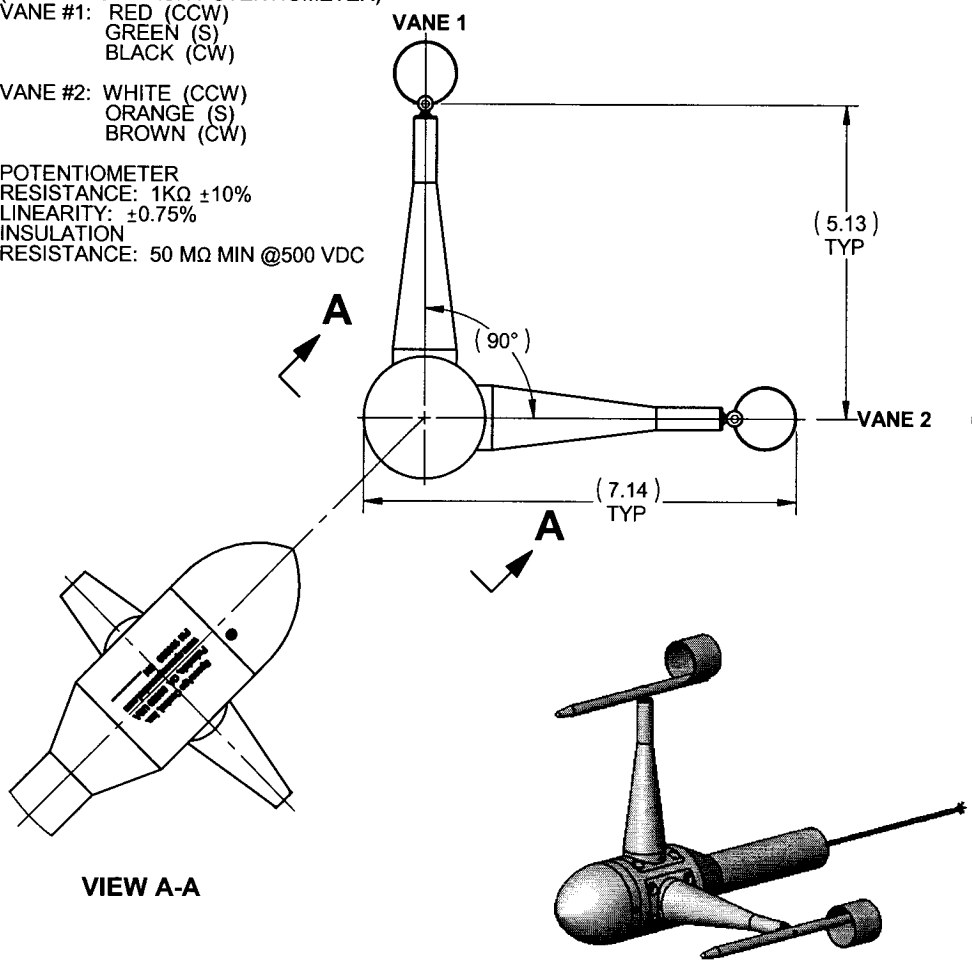
4. VANES SHOWN IN ZERO POSITION (MID POINT OF ELECTRICAL OUTPUT), ELECTRICAL & MECHANICAL ZERO POSITION TO MATCH WITHIN $\pm 2^\circ$

REVISIONS			
REV.	DESCRIPTION	DATE	APPROVED

NOTES: UNLESS OTHERWISE SPECIFIED

1. MASS: 2.0 POUNDS MAX
2. 6 WIRES BUNDLED TOGETHER, 22 GA, M22759/34/22 ELECTRICAL CABLE (THREE FOR EACH POTENTIOMETER)
 VANE #1: RED (CW)
 GREEN (S)
 BLACK (CW)

 VANE #2: WHITE (CCW)
 ORANGE (S)
 BROWN (CW)
3. POTENTIOMETER
 RESISTANCE: 1K Ω \pm 10%
 LINEARITY: \pm 0.75%
 INSULATION RESISTANCE: 50 M Ω MIN @500 VDC

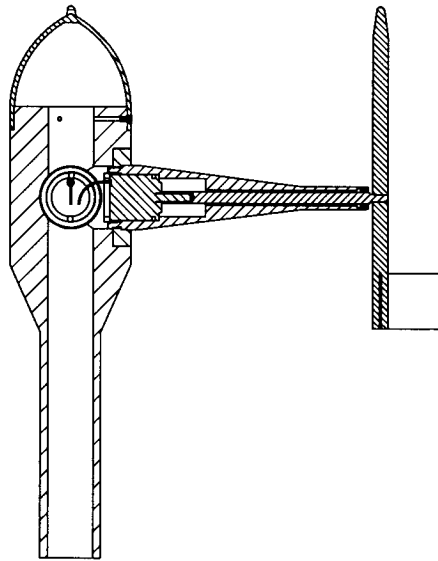
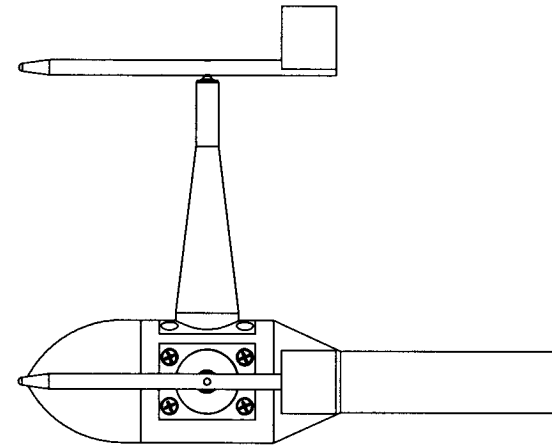
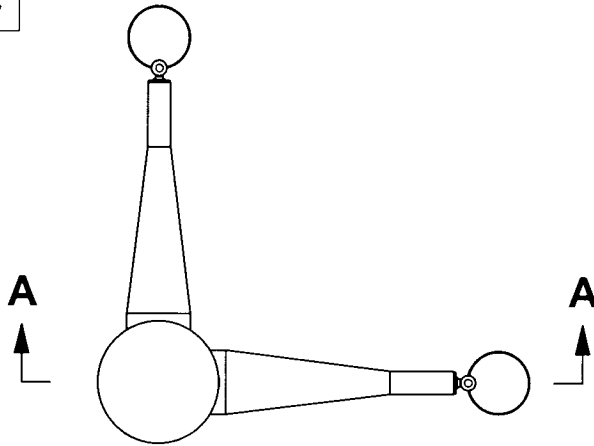


APPROVED
MASTER
DRAWING
 PRODUCTION RELEASES
 NOT VALID WITHOUT THIS STAMP
 DATE: 1-10-84 BY: [Signature]

1		101000		HOVERVANE		---	
QTY	REGD	CAGE CODE	PART OR IDENTIFYING NO.	NOMENCLATURE OR DESCRIPTION	MATERIAL SPECIFICATION	ITEM NO.	---
PARTS LIST							
UNLESS OTHERWISE SPECIFIED DIMENSIONS ARE IN INCHES TOLERANCES ARE:				PROJECT 136		SpaceAge Control, Inc.	
DECIMALS		ANGLES		APPROVALS		DATE	
X.X \pm 0.03		X° \pm 30		[Signature]		[Date]	
X.XXX \pm 0.01		X.XXX \pm 0.005		[Signature]		[Date]	
DO NOT SCALE DRAWING		MATERIAL		FINISH		MFG	
---		---		---		---	
NEXT ASSY		USED ON		SCALE		SHEET	
---		---		1:2		1 OF 2	
CAD GENERATED DRAWING DO NOT MANUALLY UPDATE				SIB		REV.	
APPLICATION				B		34851	
---				DWG. NO.		101000	
---				SCALE		SHEET	
---				1:2		1 OF 2	

This drawing contains design and other information which is the property of SpaceAge Control, Inc. Except for rights expressly granted by contract to the United States Government, this drawing and data disclosed herein or herewith is not to be reproduced, used, or disclosed in whole or in part to anyone without the written permission of SpaceAge Control, Inc.

REVISIONS			
REV.	DESCRIPTION	DATE	APPROVED



SECTION A-A

APPROVED
MASTER
DRAWING
 PRODUCTION RELEASE
 NOT VALID WITHOUT THIS STAMP
 DATE: 6-16-04 BY: [Signature]

CITY/REG.	CAGE CODE	PART OR IDENTIFYING NO.	NOMENCLATURE OR DESCRIPTION	MATERIAL SPECIFICATION	ITEM NO.
PARTS LIST					
UNLESS OTHERWISE SPECIFIED DIMENSIONS ARE IN INCHES TOLERANCES ARE:			PROJECT 136		
DECIMALS .003			SpaceAge Control, Inc.		
ANGLES 30°			HOVERVANE		
X.X ± 0.01			APPROVALS DATE		
X.XXX ± 0.005			DRAWN [Signature] 6-16-04		
DO NOT SCALE DRAWING			CHECKED [Signature] 6-16-04		
MATERIAL ---			BY: KOH 6-16-04		
FINISH ---			MFG		
NEXT ASSY			USED ON		
APPLICATION			SCALE 1:2		
CAD GENERATED DRAWING. DO NOT MANUALLY UPDATE			SHEET 2 OF 2		