

PROPRIETARY AND CONFIDENTIAL

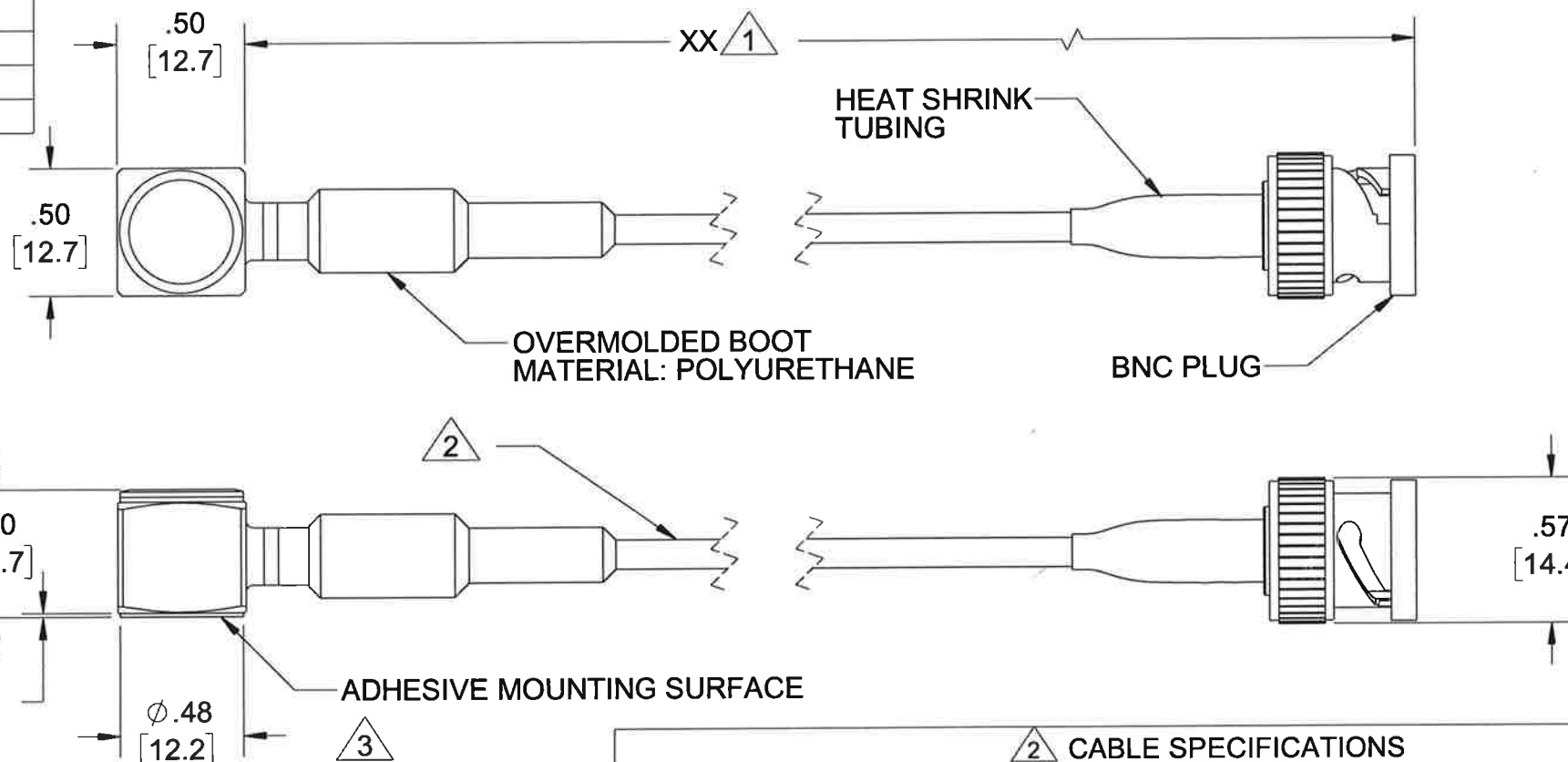
THE INFORMATION CONTAINED IN THIS DRAWING IS THE SOLE PROPERTY OF DYTRAN INSTRUMENTS INC. ANY REPRODUCTION IN PART OR AS A WHOLE WITHOUT THE WRITTEN PERMISSION OF DYTRAN INSTRUMENTS INC. IS PROHIBITED

REVISIONS

REV.	ECN	DESCRIPTION	BY/DATE	CHK	APPR
A	12530	INITIAL RELEASE	JS 03/02/16	LA	W

1 CABLE LENGTH TOLERANCE

ENGLISH		[METRIC]	
≤1FT	+1/ -0 IN	≤0.3m	+25mm -0mm
>1 FT - 5 FT	+2/ -0 IN	.0.3 m-1.5m	+50mm -0mm
> 5 FT - 10 FT	+4/ -0 IN	>1.5m-3m	+100mm -0mm
>10 FT - 25FT	+6 / -0 IN	>3m-7.5m	+150mm -0mm
>25 FT	+5% / -0%	>7.5m	+5%/-0%



2 CABLE SPECIFICATIONS

PRESSURE RATING	200 PSI [1.38 MPa] MAX.
VOLTAGE	600 VOLTS
MINIMUM BEND DIAMETER	6 IN. [152.4mm]
CONDUCTORS	26 AWG- 7/34, POLYPROPYLENE INSULATION, WHITE & BLACK
DRAIN WIRES	26 AWG- 7/34, WATERBLOCKED STRANDING
INNER JACKET	POLYVINYL CHLORIDE (PVC), WHITE
OUTER JACKET	POLYURETHANE, φ.115 IN. [2.92mm] NOM., ORANGE
TEMPERATURE RATING	0°C TO 100°C [32°F TO 212°F]
WEIGHT IN AIR	9 LB. / 1000 FT. [4.1 kg / 0.3 km]
WEIGHT IN SEAWATER	4 LB. / 1000 FT. [1.8 kg / 0.3 km]

7. HOUSING MATERIAL: TITANIUM ALLOY.

6. TEMPERATURE RANGE -54°C TO +121°C (-65°F TO +250°F).

5. WEIGHT 8 GRAMS MAX, LESS CABLE.

4 ARROWS INDICATE DIRECTION OF ACCELERATION FOR POSITIVE OUTPUT.

3 FOR BEST FREQUENCY RESPONSE, PREPARE A FLAT MOUNTING SURFACE OF AT LEAST φ.50, FLAT TO .001 TIR. APPLY ONE DROP OF CYANOACRYLATE ADHESIVE TO MOUNT THE ACCELEROMETER.

2 SEE TABLE FOR CABLE SPECIFICATIONS

1 PART NUMBER 3217A-XX, "XX" DENOTES CABLE LENGTH IN FEET.

NOTES: UNLESS OTHERWISE SPECIFIED

UNLESS OTHERWISE SPECIFIED: INTERPRET DIM & TOL PER ASME Y14.5M - 1994. REMOVE BURRS. COUNTERSINK INTERNAL THDS 90° TO MAJOR DIA. CHAM EXT THDS 45° TO MINOR DIA. THD LENGTHS AND DEPTHS ARE FOR MIN FULL THDS. DIMENSIONS APPLY AFTER FINISHING.

ALL MACHINED SURFACES TOTAL RUNOUT WITHIN .005. BREAK SHARP EDGES .005 TO .010. MACHINED FILLET RADII .005 TO .015. WELDING SYMBOLS PER AWS A2.4. ABBREVIATIONS PER MIL-STD-12.

UNLESS OTHERWISE SPECIFIED: DIMENSIONS ARE IN INCHES. DIMENSIONS IN BRACKETS [] ARE IN MILLIMETERS TOLERANCES ARE:

DECIMALS	METRIC	ANGLES
.XX ± .03	.X ± 0.8	± 1°
.XXX ± .010	.XX ± 0.25	

APPROVALS	DATE
ORIG JS	03/01/16
CHK LA	3/11/16
APP W	4/4/16

DO NOT SCALE DRAWING

MASTER COPY ONLY IF IN RED

DYTRAN INSTRUMENTS INC. Chatsworth, CA

TITLE: **OUTLINE/INSTALLATION DRAWING 3217A-XX**

SIZE B	CAGE CODE 2W033	DWG NO 127-3217A-XX	REV A
---------------	------------------------	----------------------------	--------------

SCALE: 1:1 SHEET 1 OF 1

Model Number 3217A-XX	PERFORMANCE SPECIFICATION			DOC NO PS3217A-XX
	IEPE ACCELEROMETERS			REV B, ECN 15025, 05/07/19



- HIGH FREQUENCY PERFORMANCE
- EXCELLENT LINEARITY
- HERMETICALLY SEALED MOLDED CABLE BOOT
- INTEGRAL CONNECTOR

PHYSICAL

Weight, Less Cable, Max
Mounting Provision
Material, Housing
Element Style

ENGLISH		SI	
0.18	oz	5	grams
Adhesive		Adhesive	
Titanium Alloy		Titanium Alloy	
Crystal Shear Mode		Crystal Shear Mode	

PERFORMANCE

Sensitivity, ±10% [1]
Range F.S for ± 5 Volts Output
Frequency Range, ±10%
Resonant Frequency
Broadband Resolution
Linearity [2]
Maximum Transverse Sensitivity
Strain Sensitivity, Max

100	mV/g	10.19	mV/m/s ²
50	g	490.00	m/s ²
1 to 10000	Hz	1 to 10000	Hz
> 30	kHz	> 30	kHz
0.0004	Grms	0.004	m/s ² rms
± 2%	% F.S.	± 2%	% F.S.
5	%	5	%
0.004	g/με	0.04	m/s ² /με

ENVIRONMENTAL

Maximum Vibration
Maximum Shock
Temperature Range
Seal, Accelerometer

±1000	G's, peak	±5886	m/s ² peak
3000	G's, peak	±29430	m/s ² peak
-60 to +250	°F	-54 to +121	°C
Hermetic		Hermetic	

Electrical

Supply Current Range [3]
Compliance Voltage Range
Output Impedance, Nom
Bias Voltage
Discharge Time Constant
Output Signal Polarity for Acceleration Towards Top
Electrical Isolation, Case Ground to Mounting Surface

2 to 20	mA	2 to 20	mA
+ 18 to +30	Volts	+ 18 to +30	Volts
100	Ω	100	Ω
+11 to +13	VDC	+11 to +13	VDC
0.8 to 2.0	Sec	0.8 to 2.0	Sec
Positive		Positive	
10	GΩ, min	10	GΩ, min

This family also includes:

Model	Sensitivity	Range F.S ± 5 Volts	Max Vibration/Shock	Resonant Frequency

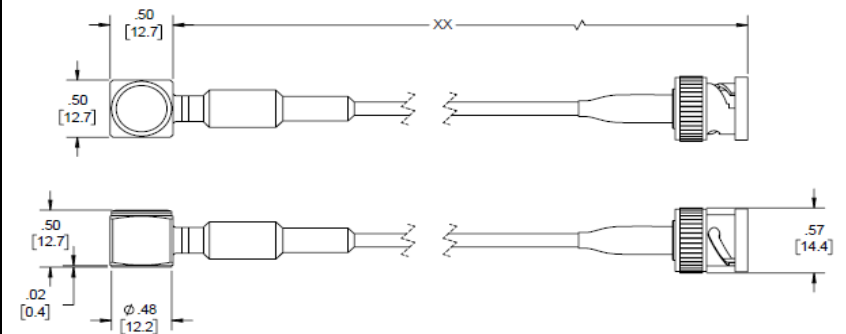
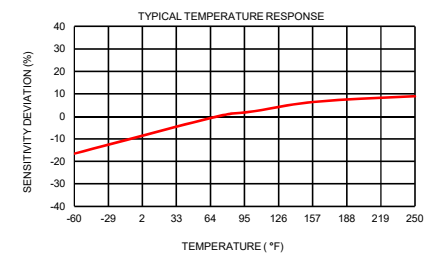
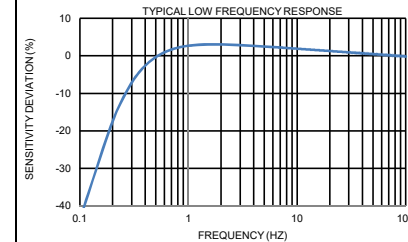
Refer to the performance specifications of the products in this family for detailed description

Supplied Accessories:

1) Accredited calibration certificate (ISO 17025)

Notes:

- Measured at 100 Hz, 1 Grms per ISA RP 37.2.
- Percent of full scale or any lesser designated full scale range, zero-based best fit straight line method.
- Power only with Dytran or Dytran approved current source type power unit. Do not supply power without current limiting. You will destroy the integral electronics. This will void the warranty.
- In the interest of constant product improvement, we reserve the right to change specifications without notice. It is the customer's responsibility to validate that a particular product with the properties described in the product specification is suitable for use in a particular application. Parameters provided in datasheets and / or specifications may vary in different applications and performance may vary overtime. All operating parameters, including typical parameters, must be validated for each customer application by the customer's technical experts.



Units on the line drawing are in inches, units in brackets are in millimeters. Refer to 127-3217A-XX for more information.



21592 Marilla Street, Chatsworth, California 91311 Phone: 818.700.7818 Fax: 818.700.7880 www.dytran.com
For permission to reprint this content, please contact info@dytran.com